

# C-95SL-CHL SELF-LATCHING BARRIER FREE SECURITY COMPLETE LOCK & PULLS SET

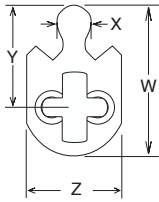
ADA REQUIREMENT INSTRUCTION SHEET

**SUITABLE FOR 1-3/4" THICK DOORS ONLY**

### SPECIFICATIONS:

- CASE:** HEAVY GAUGE WROUGHT
- ARMOR FRONT:** BRASS, BRONZE, STAINLESS
- DEAD BOLT:** 1/2" THICK X 5/8" HIGH X 1" THROW
- PULL:** 1/4" THICK X 1-1/2" HIGH X 7/8" SWINGOUT
- CAM:** SEE DETAILS OF CAM REQUIRED FOR CYLINDERS USED WITH THE C-95SL LOCK

### B520-233

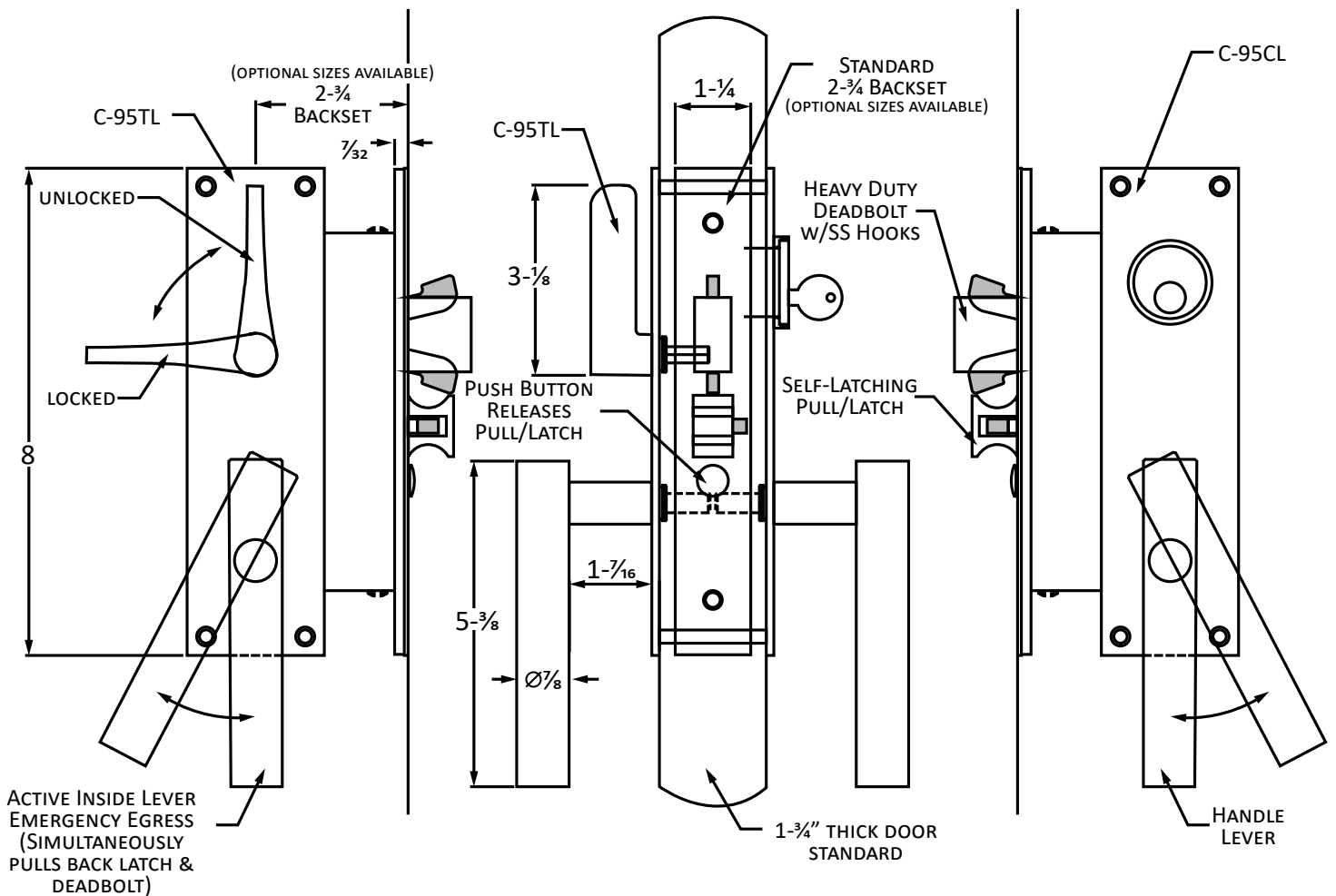
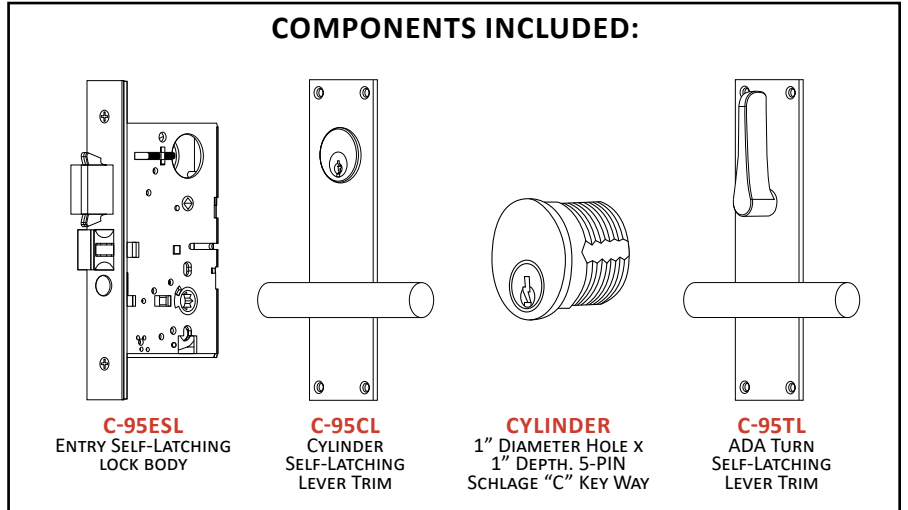


### CAM REQUIRED

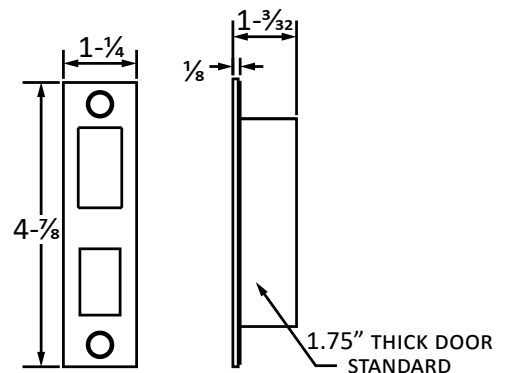
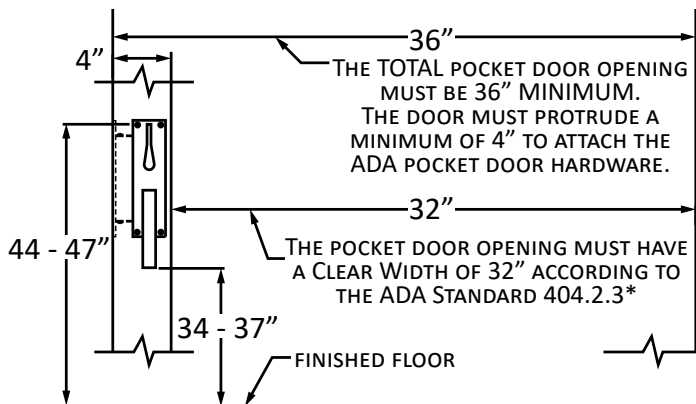
#### DIMENSIONS:

- W = 1.000"
- X = 0.232"
- Y = 0.729"
- Z = 0.694"

### COMPONENTS INCLUDED:



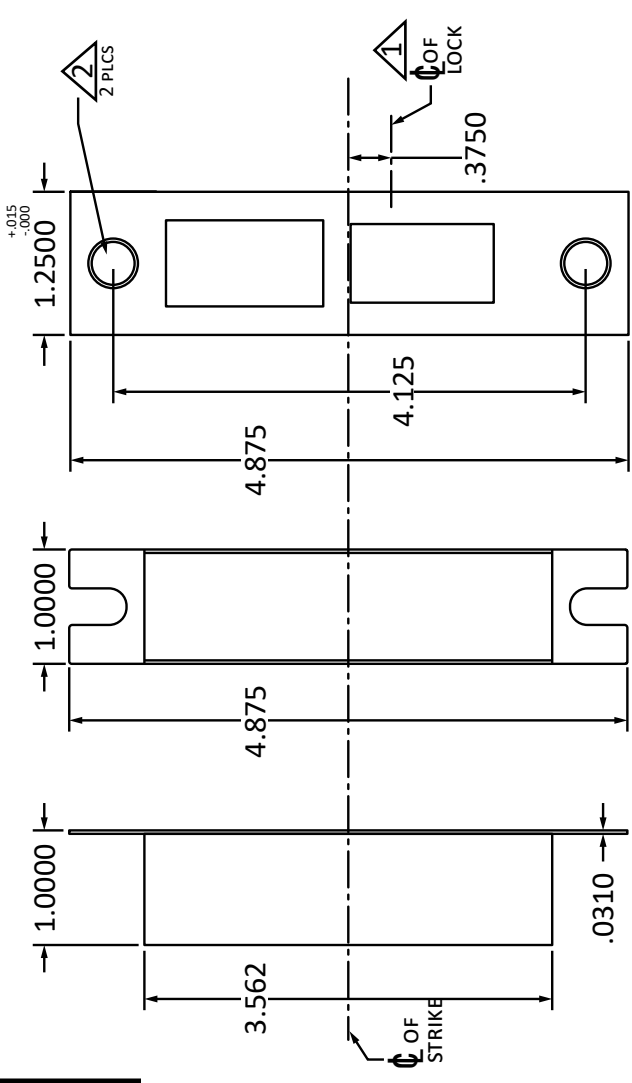
**NOT TO SCALE**



## C-95SL-CHL SELF-LATCHING BARRIER FREE SECURITY COMPLETE LOCK & PULLS SET

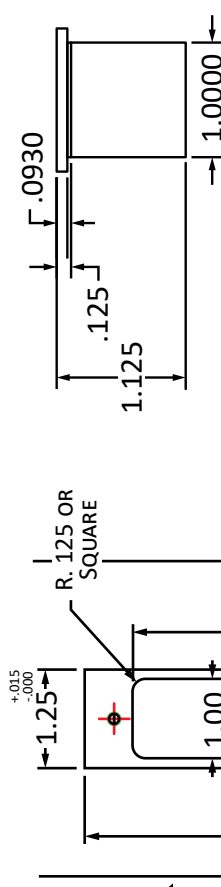
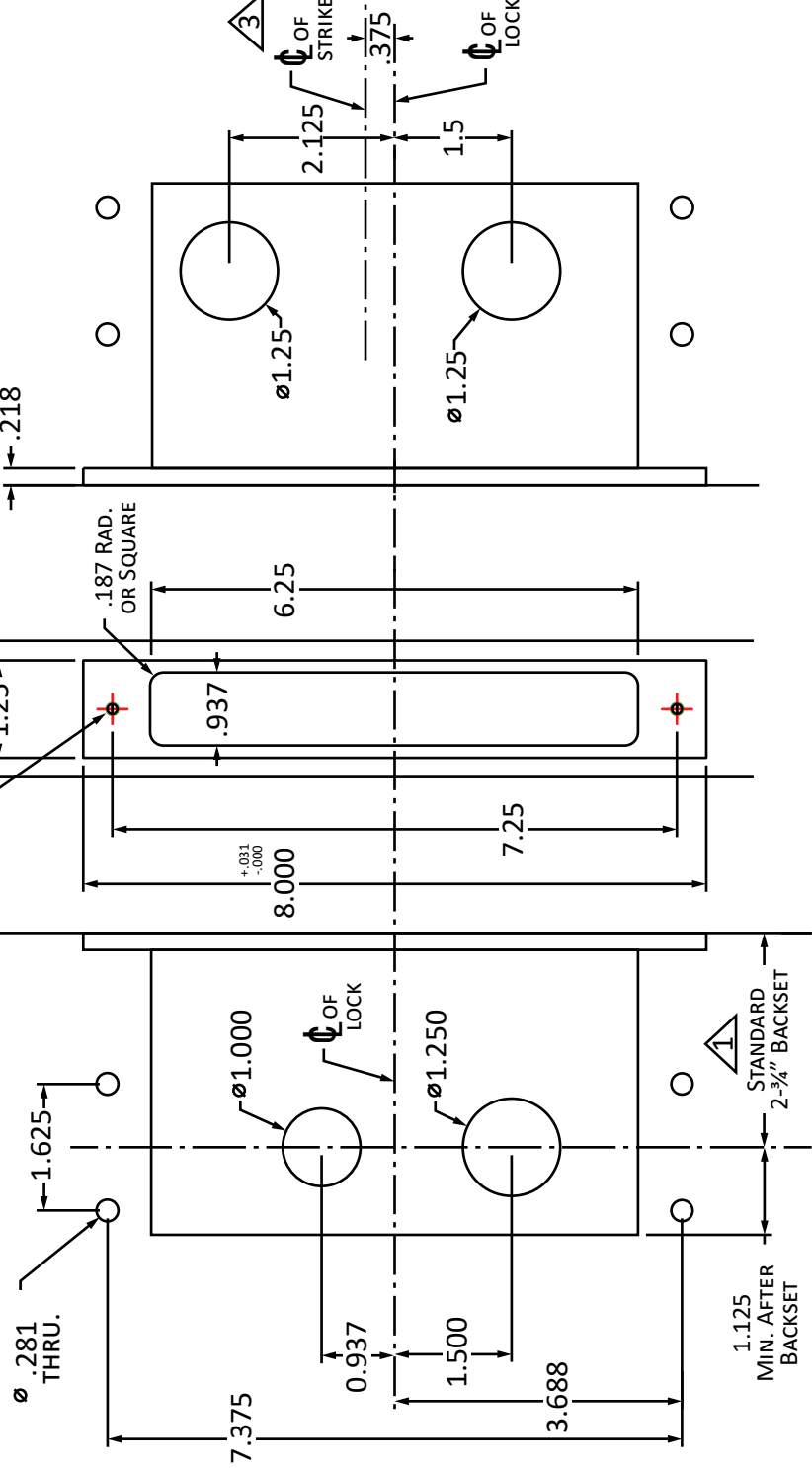
DOOR PREP TEMPLATE

**SUITABLE FOR 1-3/4" THICK DOORS ONLY**



INSIDE OF DOOR

OUTSIDE OF DOOR



**NOT TO SCALE**

- 1 INSERT BACKSET HERE 2-1/2", 2-3/4", 5", OR 6" (OPTIONAL SIZES AVAILABLE)
- 2 PREP FOR #12 WOOD OR 12-24 MACHINE SCREWS
- 3 CENTERLINE OF STRIKE IS 3/8" ABOVE CENTERLINE OF LOCK