

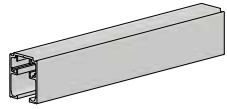
CC-493

Installation Instructions

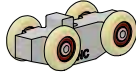
Easy Connect Catch 'N' Close System

- Prevents bouncing and slamming of sliding doors
- Can be installed on both opening and closing ends of doors as narrow as 18 in [457 mm]
- Cycle tested up to 150,000 times
- For up to 150 lbs. [68 kg] using CC-493 with CC-1

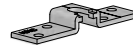
Parts' List



CC-404 Top Mount Track x length (1)
Length = 2 x door width, example:
36 in [914 mm] door = 72 in [1829 mm] track



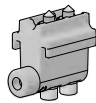
CC-400 Hanger Body (2)
c/w wheels



C-493 Top Plate (2)



C-AR93 Adjustment Rod (1)



CC-100 Catch 'N' Close In-Track Stops (2)

5/16" x 1/4" Flat Nylon Washer (2)
[FT48]

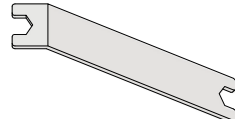
5/16-18 K-Lock Nut (2)
[FT17]

C-493 Easy Connect Stud (2)

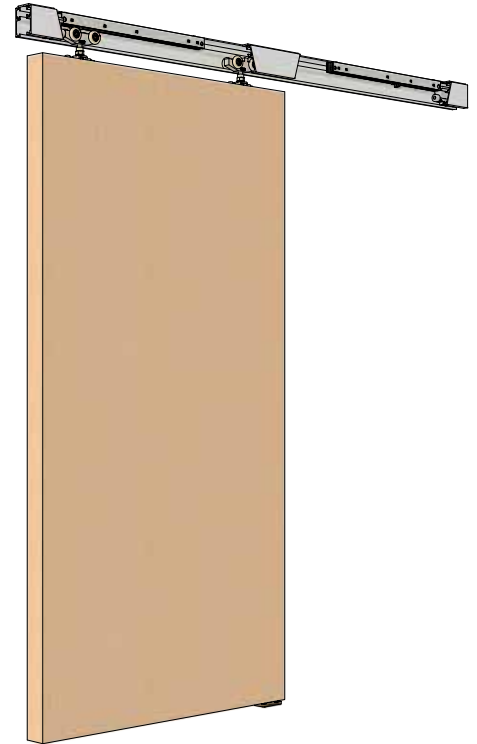
#10 x 1-1/4" Pan Head Screws (8)
[FT4]



#10 x 1-1/2" Self-Drilling Screws (4)
[FT5]



CP Adjustment Wrench (1)

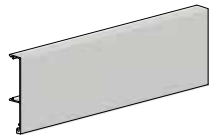


Complete CC-493-W kit illustrated. Cut-outs in track to expose components.

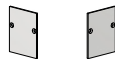


Catch 'N' Close Closing Device (2)
See details in instruction steps

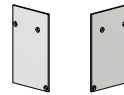
Optional Add-on Products



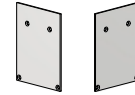
CC-440 Snap-on Fascia x length
Length = same as track length, example:
72 in [1829 mm] track = 72 in [1829 mm] fascia



CC-441 End Caps (2)
Left and right



CC-442 End Caps (2)
Left and right

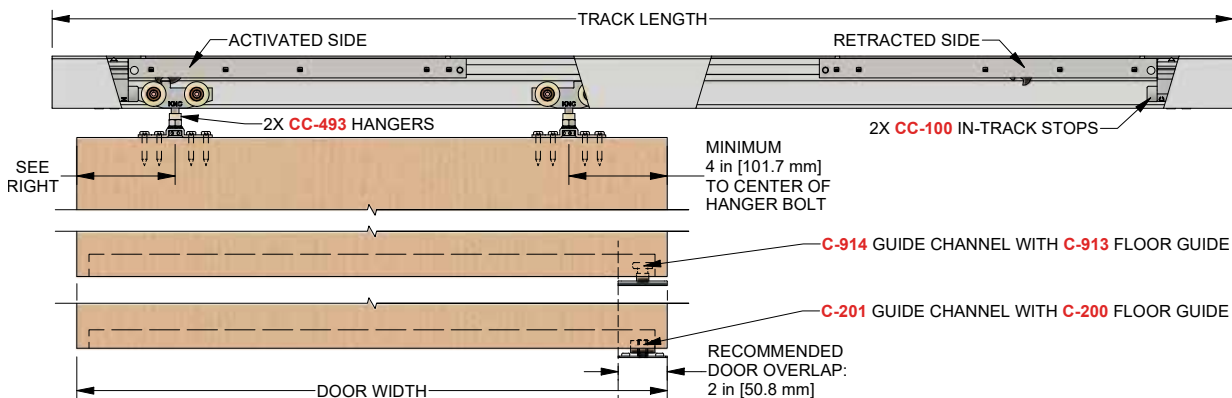


CC-443 End Caps (2)
Left and right



#4 x 5/16" Flathead Screws (4)
[FT29]

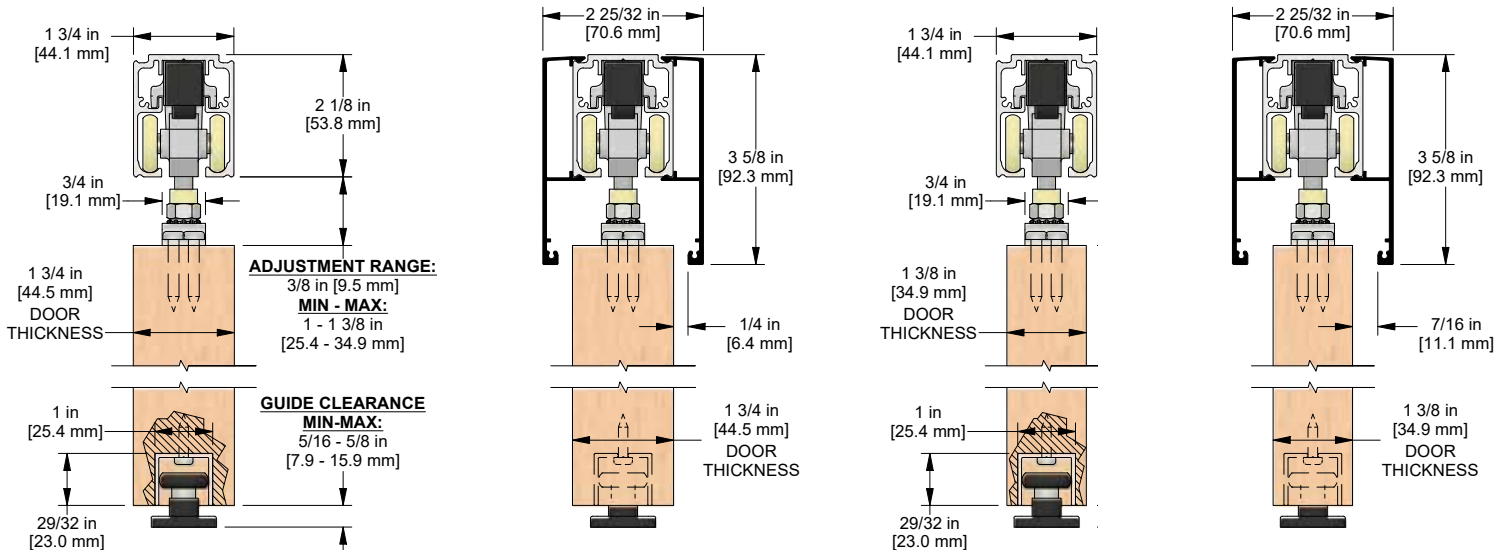
Elevation View



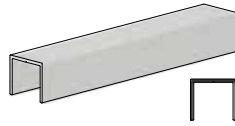
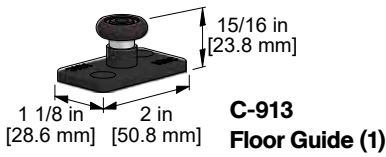
Product Details and Dimensions

Section View

Optional CC-440 Snap-on Fascia illustrated as solid black profile



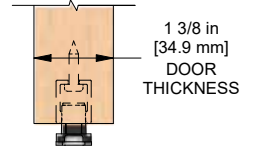
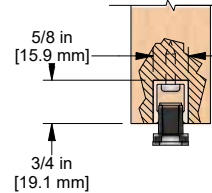
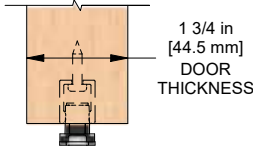
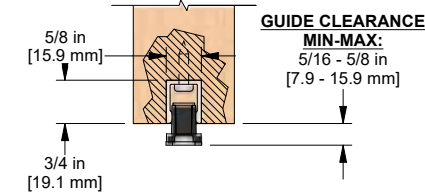
CC-493-W



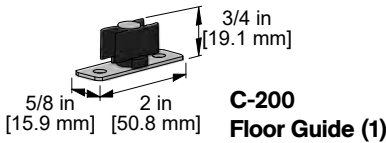
C-914 Guide Channel x length (1)
Length = door width, example:
36 in [914 mm] door = 36 in [914 mm]
guide channel less set-backs if desired

#8 x 3/4" Pan Head Screws (4)
[FT2]

#10 x 1-1/2" Flathead Screws (2)
[FT7]



CC-493-B

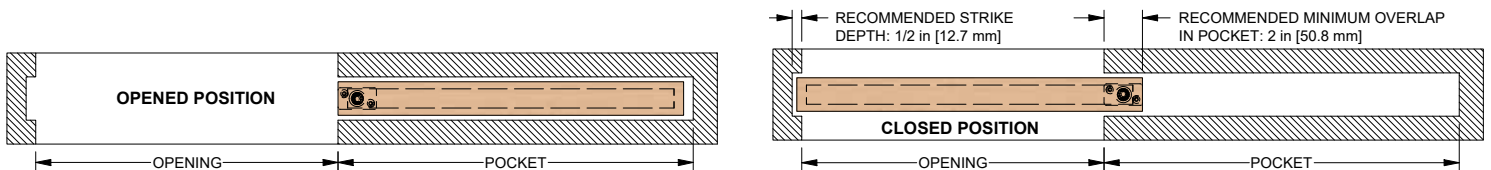


C-201 Guide Channel x length (1)
Length = door width, example:
36 in [914 mm] door = 36 in [914 mm]
guide channel less set-backs if desired

#8 x 3/4" Pan Head Screws (6)
[FT2]

Typical installation location for floor guides

For pocket door applications



Installation Steps

Step #1:

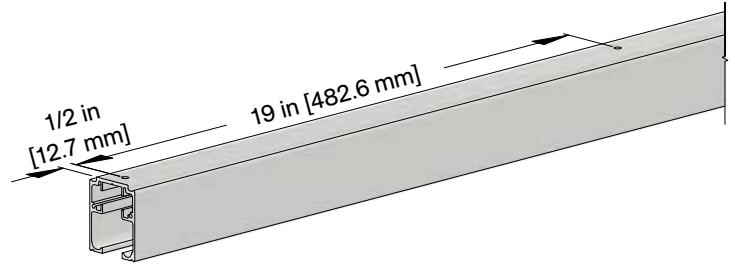
Determine door size, header height, track position, and bottom clearance based on kit code ordered by using dimensions shown in detail views on previous page.

Step #2:

Note: If access to the ends of track is not available, steps #3 and 4 must be completed before step #2.

Cut CC-404 aluminum track to size if required (typically 2 x the door width). Locate and pre-drill holes through the center of the track. Secure track to structural support/backing.

Note: Starting hole locations at each end of track should be 1/2 in [12.7 mm] from end and then 19 in [482.6 mm] from first hole. Minimum #10 screws or 1/4 in [6.4 mm] structural bolts recommended to secure track. Solid backing is required. Spacing is recommended to be between 12-16 in [304-406 mm] on center. Consult structural engineer to ensure adequate support and fastening.



Step #3:

Assemble CC-493 Catch 'N' Close Hangers as shown below:

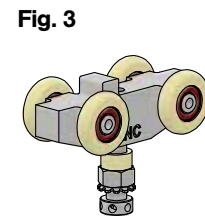
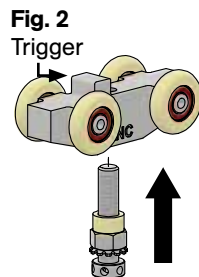
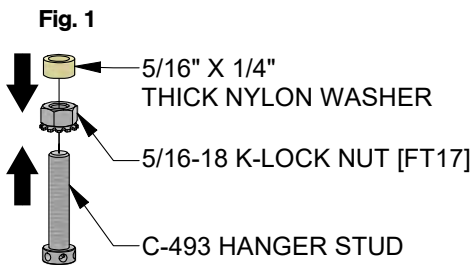
Fig. 1 Thread 5/16-18 K-Lock Nut [FT17] onto C-493 Easy Connect Stud with lock washer facing bolt head.

Slide 5/16" x 1/4" Flat Nylon Washer [FT48] onto bolt and rest against lock washer nut, 2 x required.

Note: Nylon washer must be installed to prevent damage to Catch 'N' Close Closing Devices.

Fig. 2 Thread assembly from **Fig. 1** into CC-400 Hanger Body from underside, side opposite the trigger, do not thread in fully.

Fig. 3 Completed CC-493 Hanger assembly, 2 x required.



Step #4:

Slide one (1) CC-493 Hanger assembly (*) with trigger facing end of track and one (1) CC-100 In-Track Stop (●) into each end of track.

Note: Leave screws on CC-100 In-Track Stops (●) loose to allow stops to slide freely within track. Rubber bumpers of each stop (●) should face inward, toward middle of track.

* CC-493 Hanger

● CC-100 In-Track Stops

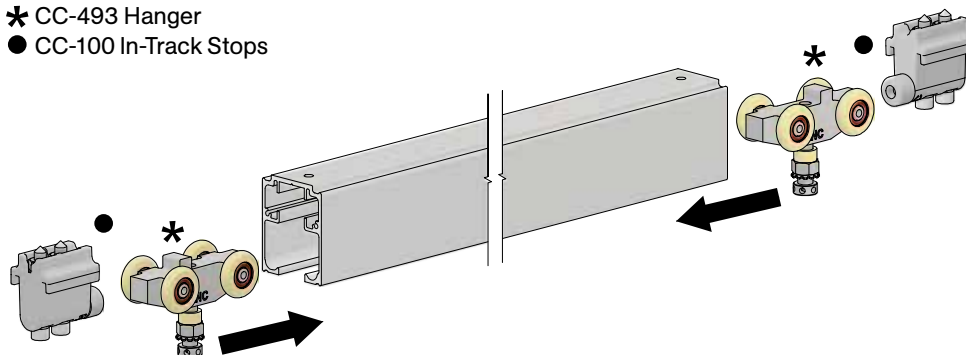
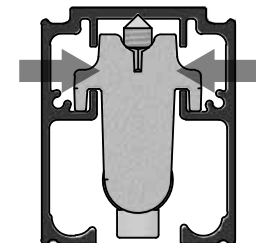
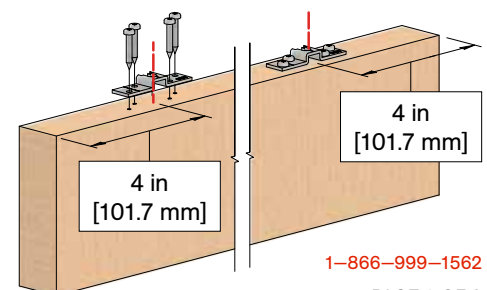


Illustration below shows correct positioning of stops in track

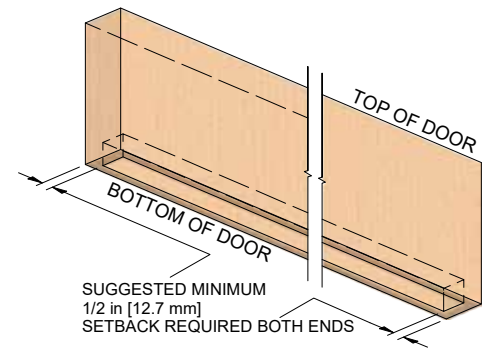


Step #5:

Locate center of "U" slot (dash line shown right) of C-493 Top Plate at 4 in [101.6 mm] from each edge of door or 2 1/2 in [63.5 mm] from edge of door to leading edge of top plate. Mark screw hole locations or use template on page 8 and pre-drill Ø1/8 in [3.2 mm] holes at least 1 1/2 in [38.1 mm] deep. Secure C-493 Top Plates with (4 per hanger) #10 x 1-1/4" Pan Head Screws [FT4]. See right.



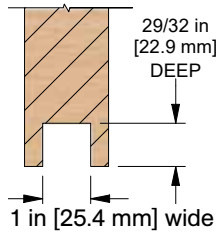
Note: If door has sufficient overlap, guide channel can be recessed into door without cutting a full-length slot in door. If guide channel will be fully recessed, it is recommended to have at least 1/2 in [12.7 mm] door material at each end of door before start of guide channel slot.



For CC-493-W

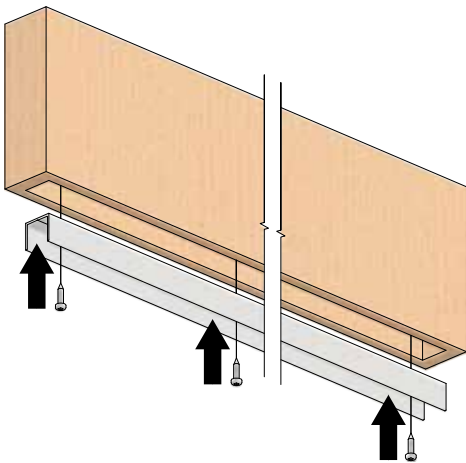
Step #6:

Prepare C-914 Guide Channel Slot in bottom of door:
 1 in [25.4 mm] wide in center of door,
 29/32 in [22.9 mm] deep and set back
 1/2 in [12.7 mm] from both edges of door.
 Make slot as accurate as possible for
 secure fit and neat appearance.



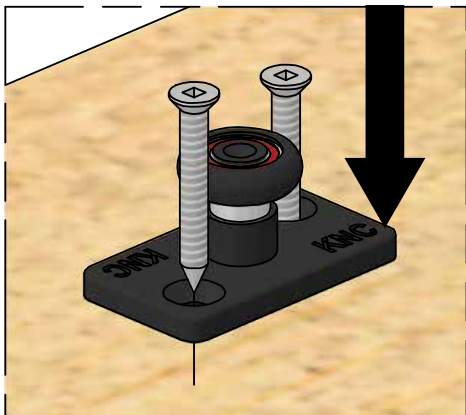
Step #7:

Cut C-914 aluminum guide channel to correct length as required.
 Drill holes in C-914 Guide Channel and pre-drill holes in door. Locate
 C-914 Guide Channel in slot and secure channel into place with
 (4) #8 x 3/4" Pan Head Screws [FT2].



Step #8:

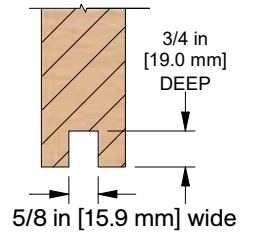
Position C-913 Guide per typical installation location details on page
 2 and secure to floor with (2) #10 x 1-1/2" Flathead Screws [FT7].



For CC-493-B

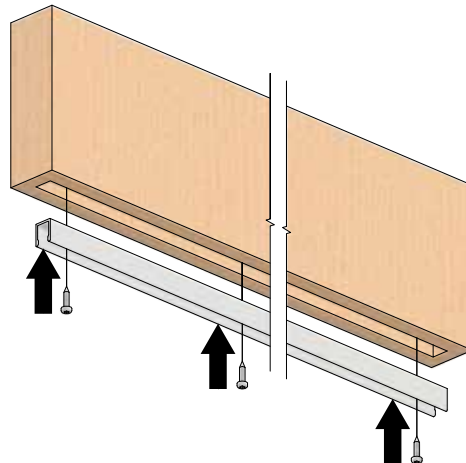
Step #6:

Prepare C-201 Guide Channel Slot in
 bottom of door:
 5/8 in [15.9 mm] wide in center of door,
 3/4 in [19.1 mm] deep and set back
 1/2 in [12.7 mm] from both edges of door.
 Make slot as accurate as possible for
 secure fit and neat appearance.



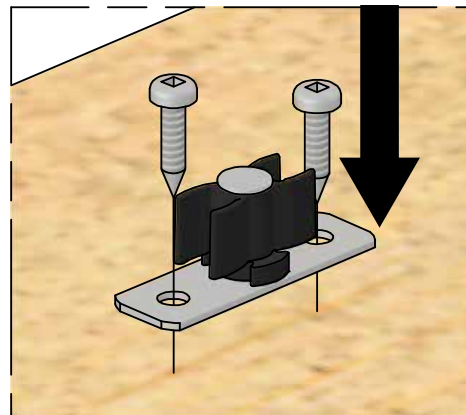
Step #7:

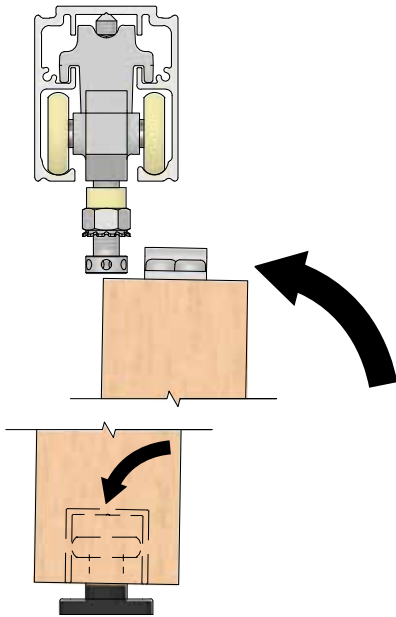
Cut C-201 aluminum guide channel to correct length as required.
 Drill holes in C-201 Guide Channel and pre-drill holes in door. Locate
 C-201 Guide Channel in slot and screw channel into place with
 (4) #8 x 3/4" Pan Head Screws [FT2].



Step #8:

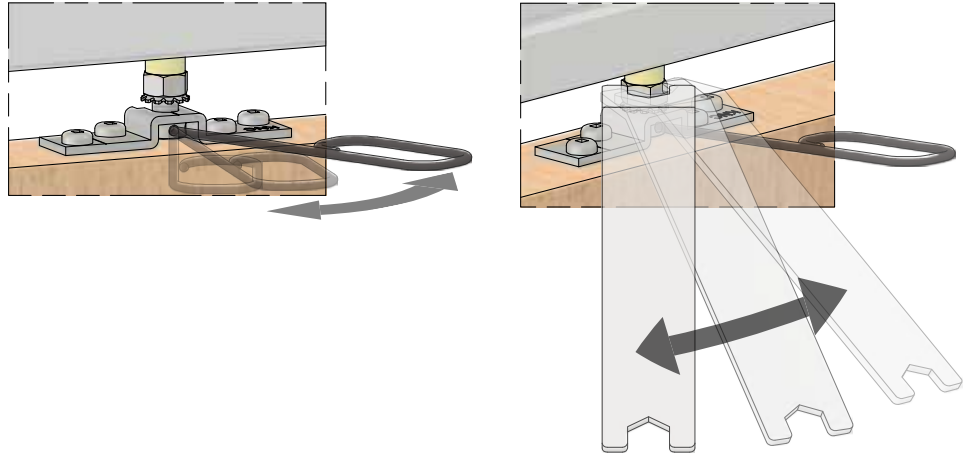
Position C-200 Guide per typical installation location details on page
 2 and secure to floor with (2) #8 x 3/4" Pan Head Screws [FT2].





Step #9:

Raise door, position over guide, and under hangers in track. Lift door up and engage top plate "U" slot with C-493 Easy Connect Stud. Adjust door height and plumb by using C-AR93 Adjustment Rod on C-493 Easy Connect Studs. Lock final height adjustment with 5/16-18 K-Lock Nuts [FT17] using CP-Wrench.



Step #10:

After door has been installed, position door approximately 5-10 in [127-254 mm] away from final position at one end, shown below with left side. Push loose CC-100 Stop, installed in **step #4**, against hanger body.



Step #11:

With CC-100 Stop loose, slide door to final/desired position of door.

Note: Ensure that strike and trim thickness are taken into consideration for final/desired position of door.



Step #12:

Once final position is achieved, slide door away from CC-100 Stop. Lock CC-100 Stop in position by tightening two cap screws on CC-100 Stop with 3/16 in allen key. CC-100 is secured by friction fit with cone point screws.



Step #13:

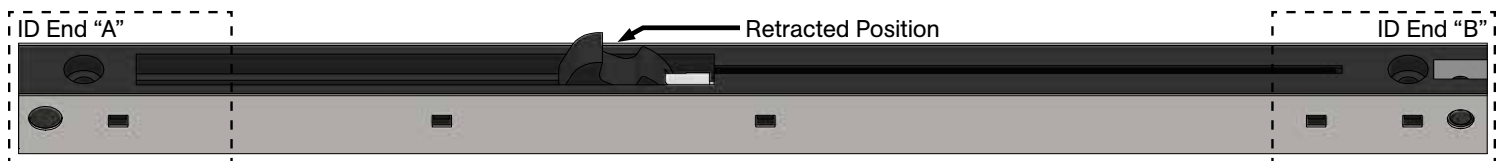
Repeat **steps #10 - 12** for opposite side.

Note: Ensure that strike and trim thickness are taken into consideration for final/desired position of door.

Step #14:

Before installing Catch 'N' Close Closing Devices, ensure devices are in retracted position as shown below. If not in required position, slide hook down until it locks in position.

Note: Requires significant finger pressure.



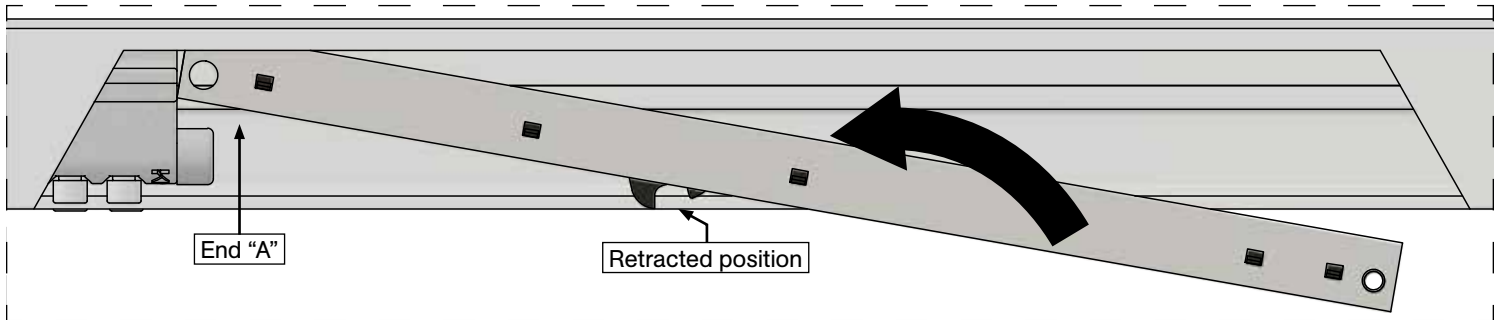
Important Catch 'N' Close Closing Device Notes:

If doors are 75 lbs. [34 kg] or less, ensure CC-75 Catch 'N' Close Closing Devices are used.

If doors are minimum 75 lbs. [34 kg] up to 150 lbs. [68 kg], ensure CC-1 Catch 'N' Close Closing Devices are used.

Step #15:

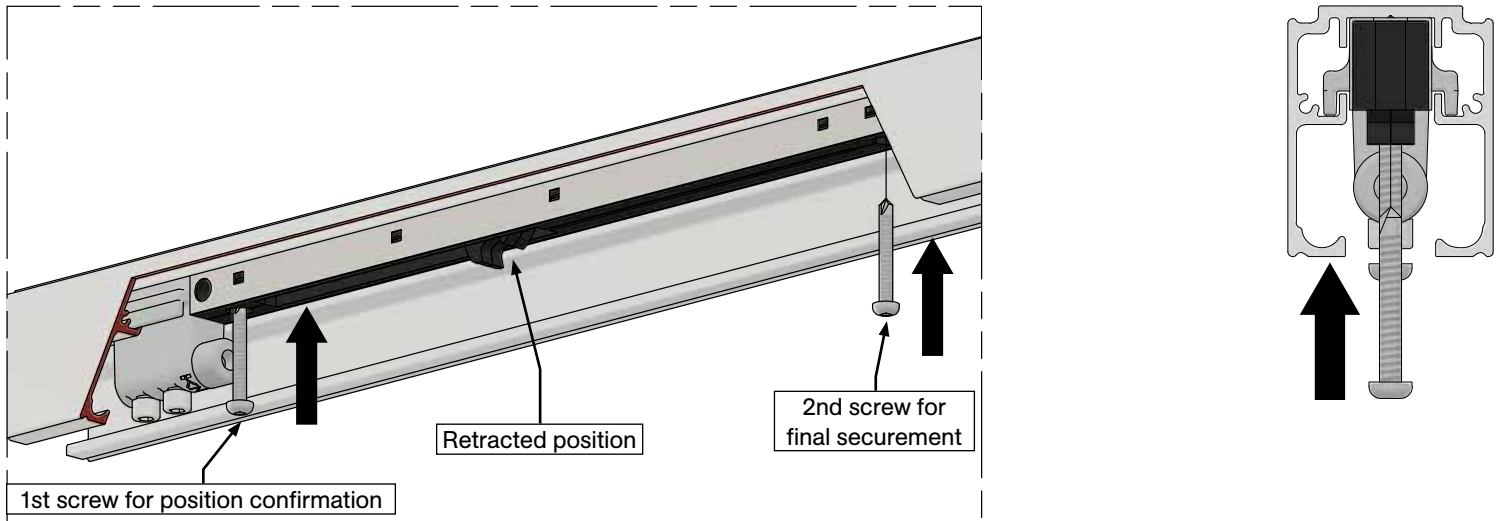
Place Catch 'N' Close Closing Device into track with leading end "A" resting against upper body on CC-100 Stops installed previously. See illustrations right:



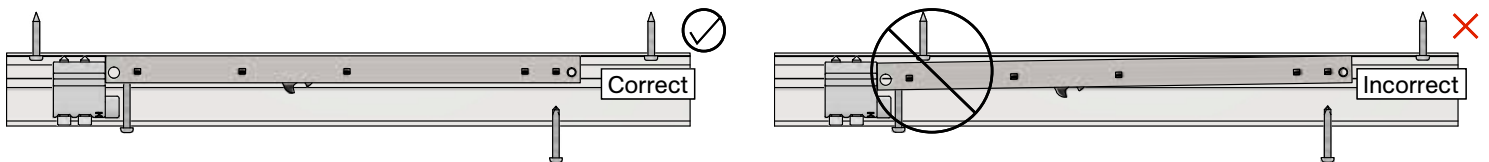
Step #16:

Secure Catch 'N' Close Closing Device to track with (2) #10 x 1-1/2" Self-Drilling Screws [FT5]. Repeat for opposite end with Catch 'N' Close Closing Device installed in reverse as shown on front page in "Elevation View" illustration.

Note: If using impact driver to secure Catch 'N' Close Devices, do not overtighten screws. It is recommended to pre-drill track with Ø9/64 in [3.6 mm] drill bit. Secure first screw closest to CC-100 Stop only and test system by sliding door to activate Catch 'N' Close. If in correct position, secure with second screw. Remove any drill fillings from inside track.



Note: Ensure area of track where Catch 'N' Close Device will be installed is free of fasteners. Securing Catch 'N' Close Device on top of a fastener may lead to operation issues or damage to the system.



Step #17:

Test complete Catch 'N' Close system by sliding door to both left and right to activate closing devices.

Optional CC-440 Fascia and CC-441/CC-442/CC-443 End Cap Installation

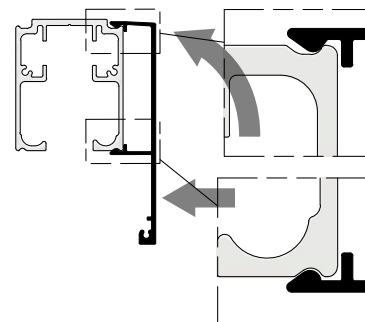
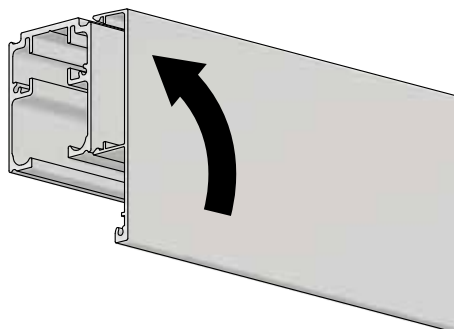
Step #F1:

Cut CC-440 Fascia to correct length if required. Typically, fascia is same length as track previously installed.

Step #F2:

Lift fascia up to track and snap-on as shown below.

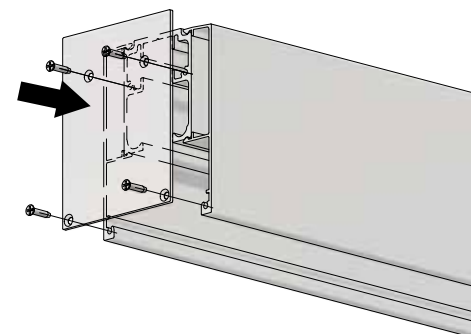
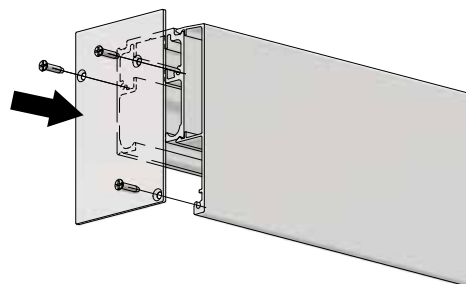
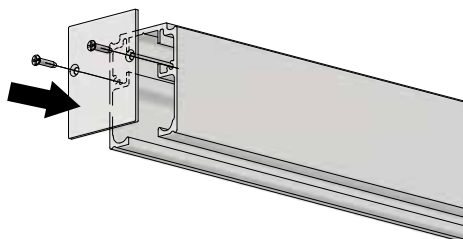
Note: If fascia is loose and a tighter fit is desired, use a rubber mallet on inside leg of fascia to reduce gap at +/-24 in [610 mm] intervals.



Step #F3:

Install end cap as shown below with the supplied #4 x 5/16" Flathead Screws [FT29], 2 - 4 screws per end cap provided.

Note: Do not install with impact driver.



CC-441 End Cap
with CC-404 Top Mount Track only

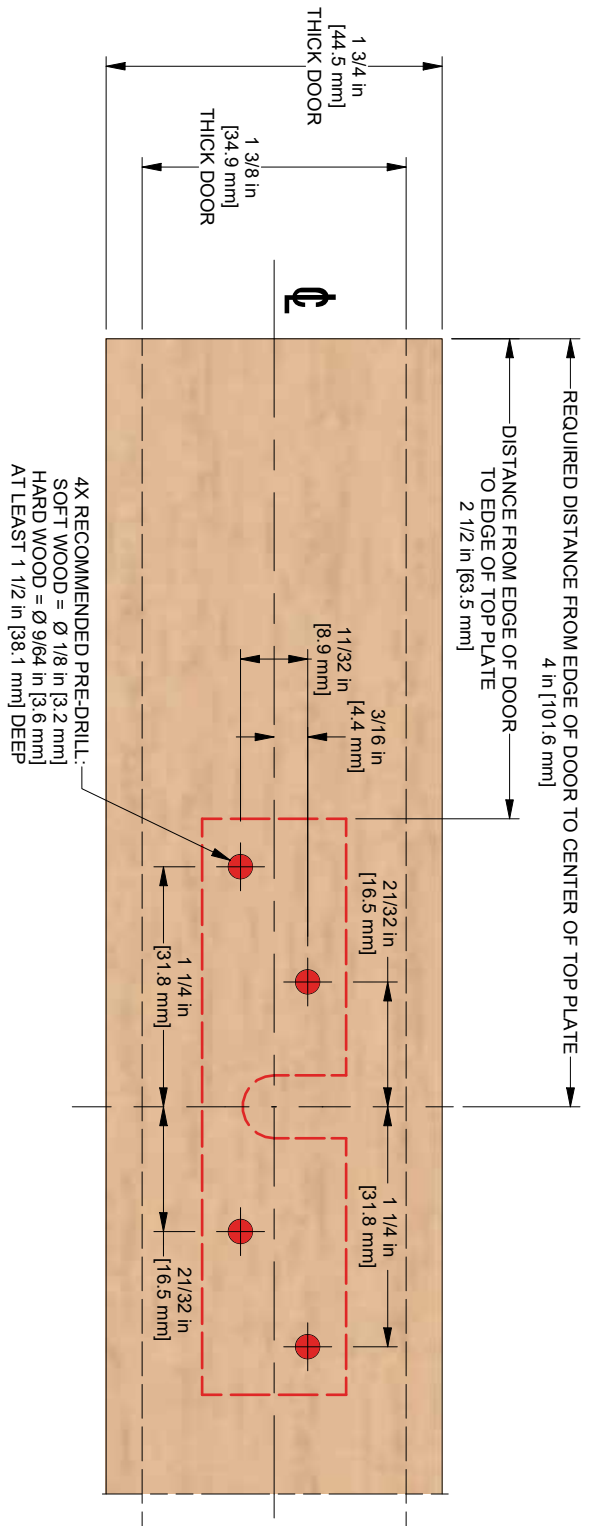
CC-442 End Caps
with CC-404 Top Mount Track and
one (1) CC-440 Fascia

CC-443 End Caps
with CC-404 Top Mount Track and
two (2) CC-440 Fascia

Troubleshooting

Issue	Solution
Chatter/noise when door is sliding	Ensure there are no aluminum shavings within track. Shavings can become embedded in nylon tires and cause noise during operation.
Door is hard to move	Ensure guide channel secured to bottom of door is not over-tightened as this could cause sides of guide channel to "pinch" guide. Remove door and check guide channel by rolling guide roller in channel to ensure smooth travel. There should be little to no resistance. Ensure door is not dragging on bottom of floor/guides and adjust height of door as required.
Door rattles	Ensure locking nuts and screws on hangers are secured and not loose.
Door is not engaging closing device	Ensure hangers are correctly oriented. See steps #3 - 4 . Ensure Catch 'N' Close Closing Devices are in correct retracted or extended position prior to sliding door closed/open. See step #14 .
Replacing the Catch 'N' Close Device	The Catch 'N' Close track and hardware system has been designed for easy installation. Remove two screws that hold Catch 'N' Close Closing Device in place and replace device with a new one if failure occurs.

TOP PLATE LOCATION TEMPLATE



TOP PLATE LOCATION TEMPLATE

