

CC-998



FEATURES

- 300 lbs. [136 kg] weight capacity
- Effortless opening and closing of the door with the Catch 'N' Close Closing System (for doors wider than 20 in [508 mm])
- Easy Connect Hanger System for easy installation
- Nylon wheels and precision ball bearings provide smooth and quiet door operation
- Cycle tested for up to 150,000 cycles without fail
- ADA Compliant (Barrier-free) design
- Available in clear or black anodized, mill finish or powder coated

COMPLETE 1 DOOR KIT BREAKDOWN



- 1 - CC-904 Top Mount Track**
x length based on kit size (e.g. 72 in [1829 mm] kit for 36 in [914 mm] wide door)



- 2 - CC-998 Heavy-Duty Easy Connect Catch 'N' Close Hangers**
complete with screws and adjustment tools



- 2 - CC-101HD Catch 'N' Close In-Track Stops**
complete with set screws for friction fit



- 2 - Catch 'N' Close Closing Devices**
complete with screws
CC-2 for doors up to 200 lbs. [90 kg]
CC-3 for doors up to 300 lbs. [136 kg]



- 1 - C-914 Aluminum Guide Channel**
x length based on kit size (e.g. 36 in [914 mm] guide channel for 72 in [1829 mm] kit)



- 1 - C-913 Floor Guide**
complete with screws

OPTIONAL

Door Locks & Pulls



Add-On Products



- CC-940 Fascia**
x length based on required size



- CC-941 End Cap Pair**
Complete with screws
For use with CC-404 track only, no fascia



- CC-942 End Cap Pair**
Complete with screws
For use with CC-904 track, 1 fascia only



- CC-943 End Cap Pair**
Complete with screws
For use with CC-904 track, 2 fascias only

Customer Name

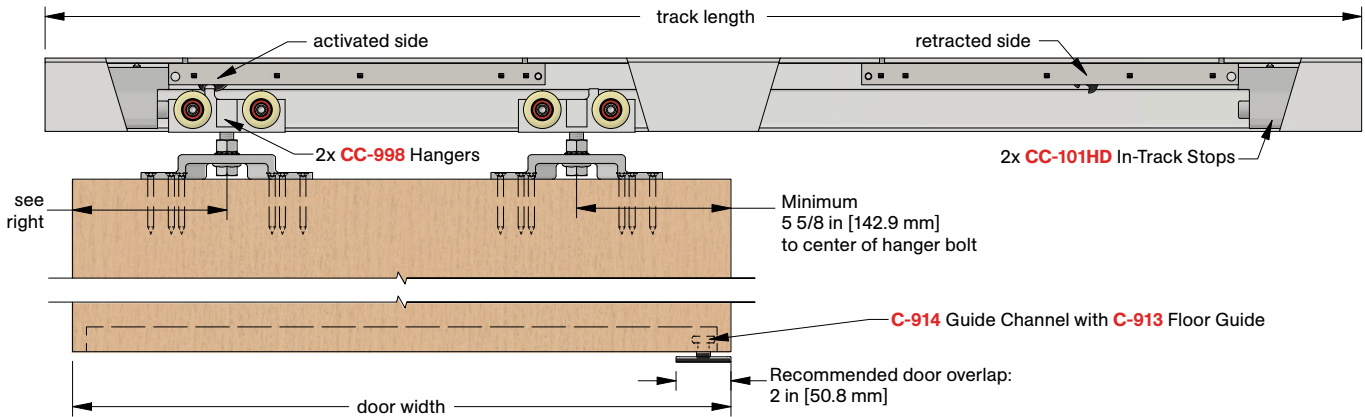
Job No./Name

Date

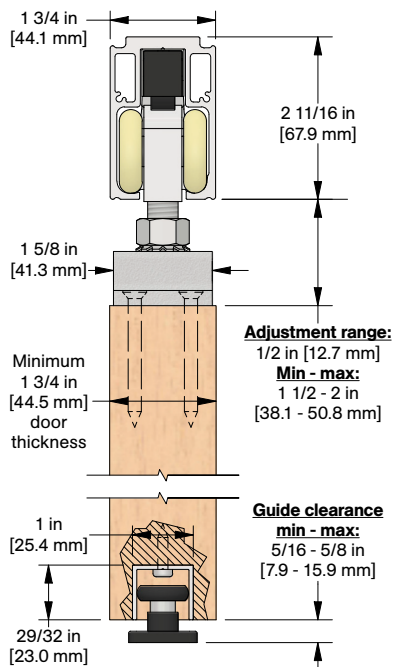
Provided By

Notes

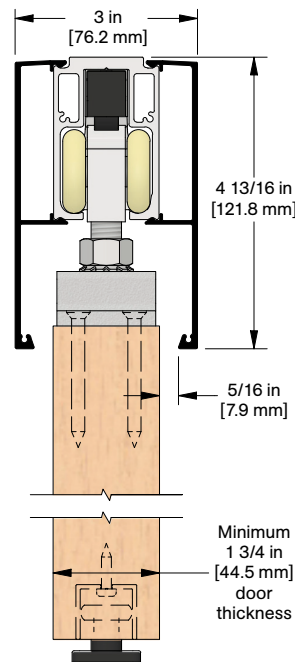
COMPLETE ELEVATION VIEW



PRODUCT DIMENSIONS



Optional CC-940 Snap-on Fascia, illustrated as solid black profile



Installation
Instructions



Customer Name

Job No./Name

Date

Provided By

Notes