

# CCGH-CONTINUOUS-902



## FEATURES

- 300 lbs. [136 kg] weight capacity
- Effortless opening and closing of the door with the Catch 'N' Close Closing System (for doors wider than 24 in [610 mm])
- Nylon wheels and precision ball bearings provide smooth and quiet door operation
- Cycle tested for up to 150,000 cycles without fail
- ADA Compliant (Barrier-free) design
- Available in clear or black anodized, mill finish or powder coated

## COMPLETE 1 DOOR KIT BREAKDOWN



- 1 - CC-904 Top Mount Track**  
x length based on kit size (e.g. 72 in [1829 mm] kit for 36 in [914 mm] wide door)



- 1 - CC-902 Side Mount Bracket**  
x length based on kit size (e.g. 72 in [1829 mm] kit for 36 in [914 mm] wide door)

- 2 - CC-921 End Caps**  
complete with screws



- 1 - Continuous Catch 'N' Close Glass Hangers**  
complete with screws and adjustment tools  
**CCGH-012C** for 1/2 in [12 mm] thick glass  
**CCGH-038C** for 3/8 in [10 mm] thick glass



- 2 - CC-101HD Catch 'N' Close In-Track Stops**  
complete with set screws for friction fit



- 2 - Catch 'N' Close Closing Devices**  
complete with screws  
**CC-2** for doors up to 200 lbs. [90 kg]  
**CC-3** for doors up to 300 lbs. [136 kg]



- 1 - Stationary Glass Guide**  
complete with screws  
**CGGS-012** for 1/2 in [12 mm] thick glass  
**CGGS-038** for 3/8 in [10 mm] thick glass

## OPTIONAL

### Door Locks & Pulls



### Add-On Products



- CC-920 Fascia**  
x length based on required size

- CC-922 End Cap Pair**  
Complete with screws  
For use with CC-920 fascia

Customer Name

Job No./Name

Date

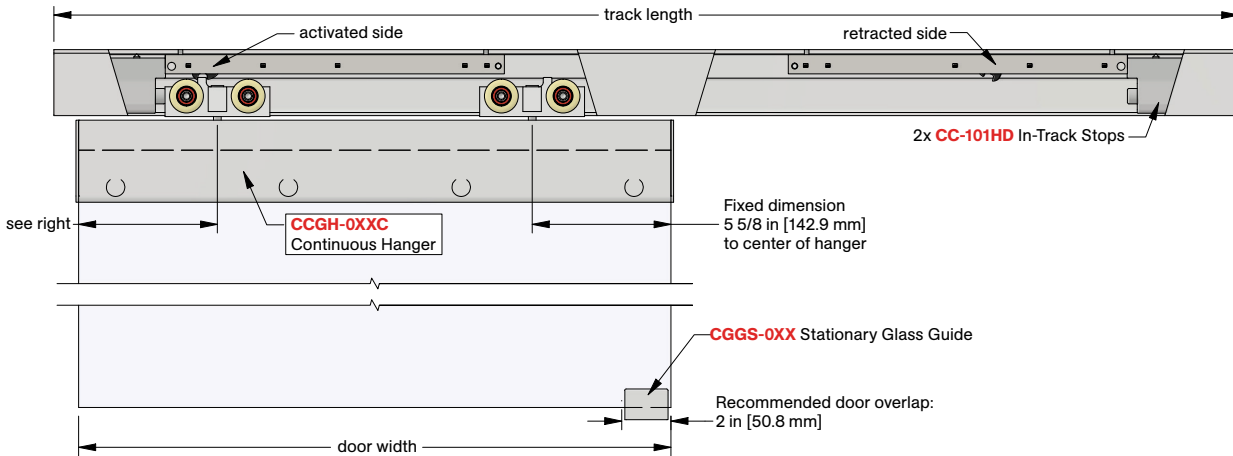
Provided By

Notes

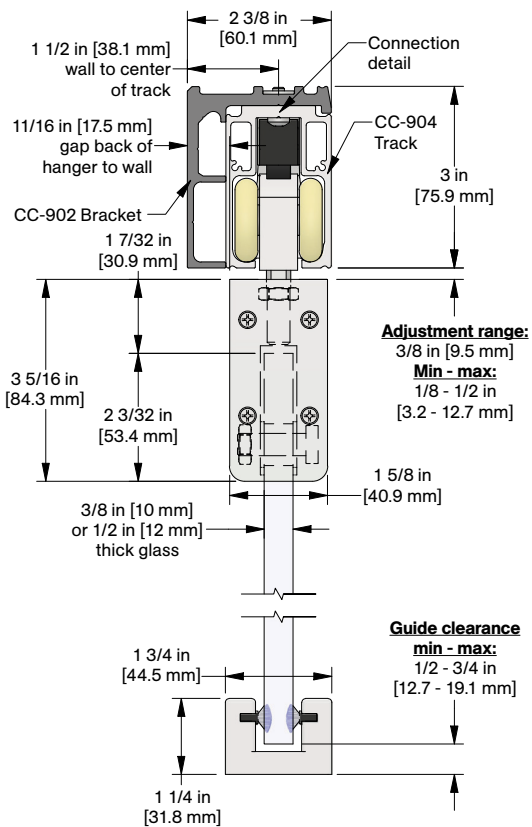
# CCGH-CONTINUOUS-902



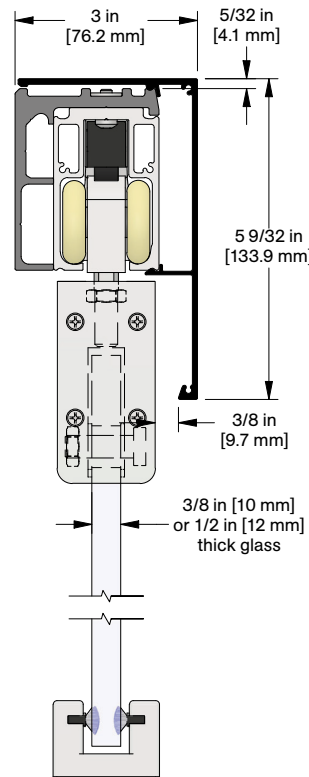
## COMPLETE ELEVATION VIEW



## PRODUCT DIMENSIONS



### Optional CC-920 Snap-on Fascia, illustrated as solid black profile



Installation Instructions



Customer Name

Job No./Name

Date

Provided By

Notes