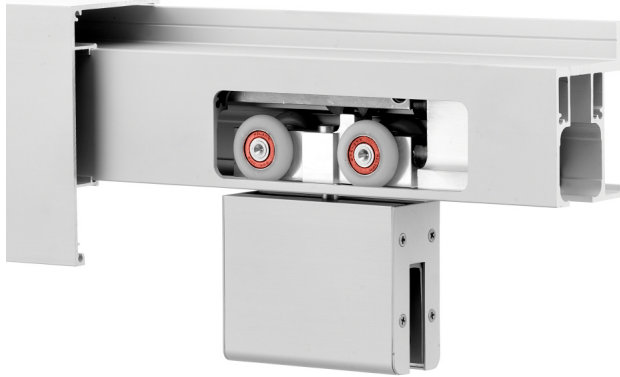


CCGH-CONTINUOUS-908



FEATURES

- 300 lbs. [136 kg] weight capacity
- Effortless opening and closing of the door with the Catch 'N' Close Closing System (for doors wider than 24 in [610 mm])
- Nylon wheels and precision ball bearings provide smooth and quiet door operation
- Cycle tested for up to 150,000 cycles without fail
- ADA Compliant (Barrier-free) design
- Available in clear or black anodized, mill finish or powder coated

COMPLETE 1 DOOR KIT BREAKDOWN



1 - CC-908 Side Mount Track

x length based on kit size (e.g. 72 in [1829 mm] kit for 36 in [914 mm] wide door)



1 - Continuous Catch 'N' Close Glass Hangers

complete with screws and adjustment tools

CCGH-012C for 1/2 in [12 mm] thick glass

CCGH-038C for 3/8 in [10 mm] thick glass



2 - CC-101HD Catch 'N' Close In-Track Stops

complete with set screws for friction fit



2 - Catch 'N' Close Closing Devices

complete with screws

CC-2 for doors up to 200 lbs. [90 kg]

CC-3 for doors up to 300 lbs. [136 kg]



1 - Stationary Glass Guide

complete with screws

CGGS-012 for 1/2 in [12 mm] thick glass

CGGS-038 for 3/8 in [10 mm] thick glass

OPTIONAL

Door Locks & Pulls



Add-On Products



CC-980 Fascia

x length based on required size

CC-982 End Cap Pair

Complete with screws

Customer Name

Job No./Name

Date

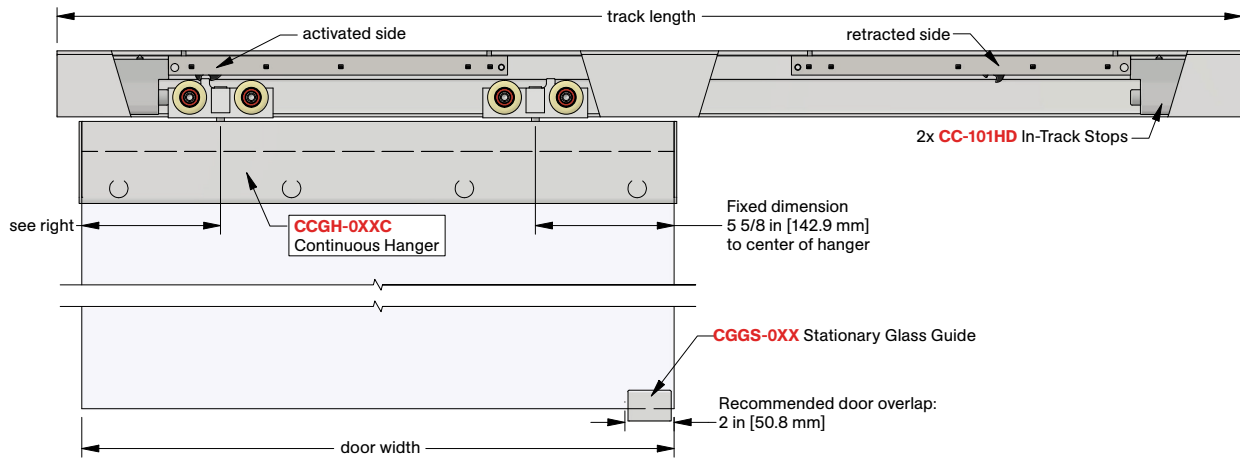
Provided By

Notes

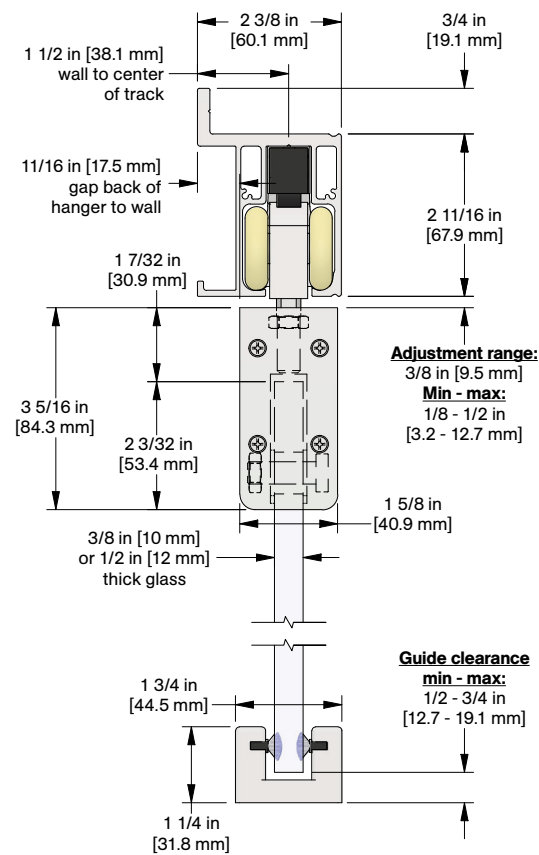
CCGH-CONTINUOUS-908



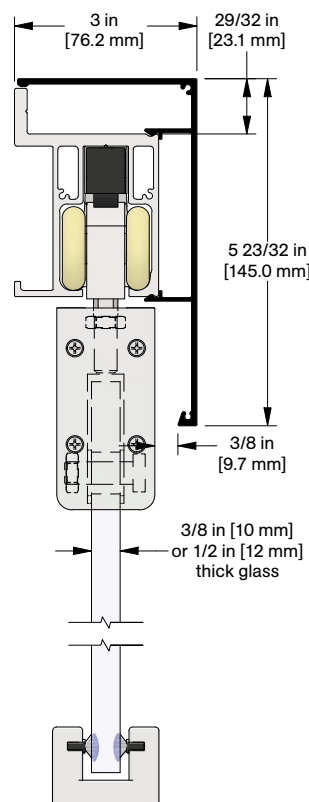
COMPLETE ELEVATION VIEW



PRODUCT DIMENSIONS



Optional CC-980 Snap-on Fascia, illustrated as solid black profile



Installation Instructions



Customer Name

Job No./Name

Date

Provided By

Notes