

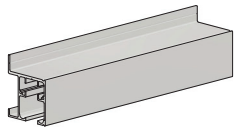
# CCL-410

## Installation Instructions

### Zero Clearance Catch 'N' Close System

- Prevents bouncing and slamming of sliding doors
- Can be installed on both opening and closing ends of doors as narrow as 18 in [457 mm]
- Cycle tested up to 150,000 times
- For up to 150 lbs. [68 kg] using CC-410 with CC-1

## Parts List



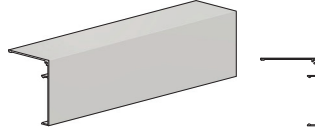
**CC-408 Side Mount Track x length (1)**

Length = 2 x door width, example:

36 in [914 mm] door = 72 in [1829 mm] track



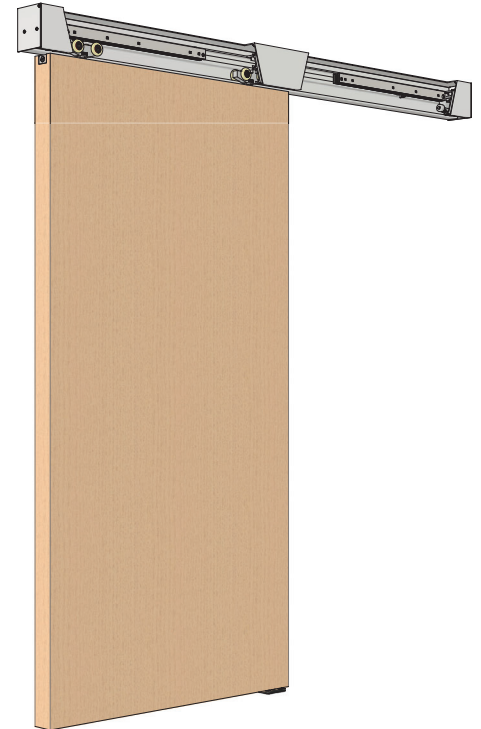
**CC-410-UH 'U'-Housing (2)**



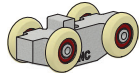
**CC-470 Snap-on Fascia x length (1)**

Length = same as track length, example:

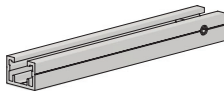
72 in [1829 mm] track = 72 in [1829 mm] fascia



Complete CCL-410-W kit illustrated. Cut-outs in track and fascia to expose components.



**CC-400 Hanger Body (2)**  
c/w wheels



**CC-410-LN Lock Nut (2)**



**CC-410-EC End Cap (2)**



**CC-410-CB 'C'-Bar (2)**

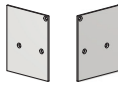
**CC-410 Hex Head Bolt x 1-1/4" (2)**



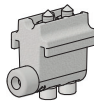
**#10 x 1-1/4" Flat Head Machine Screws (2)**  
[FT23]



**#10 x 1-1/4" Pan Head Screws (8)**  
[FT4]



**CC-471 End Caps (2)**  
Left and right

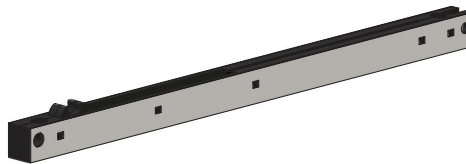


**CC-100 Catch 'N' Close In-Track Stops (2)**

**#4 x 5/16" Flat Head Screws (6)**  
[FT29]



**CP Adjustment Wrench (1)**

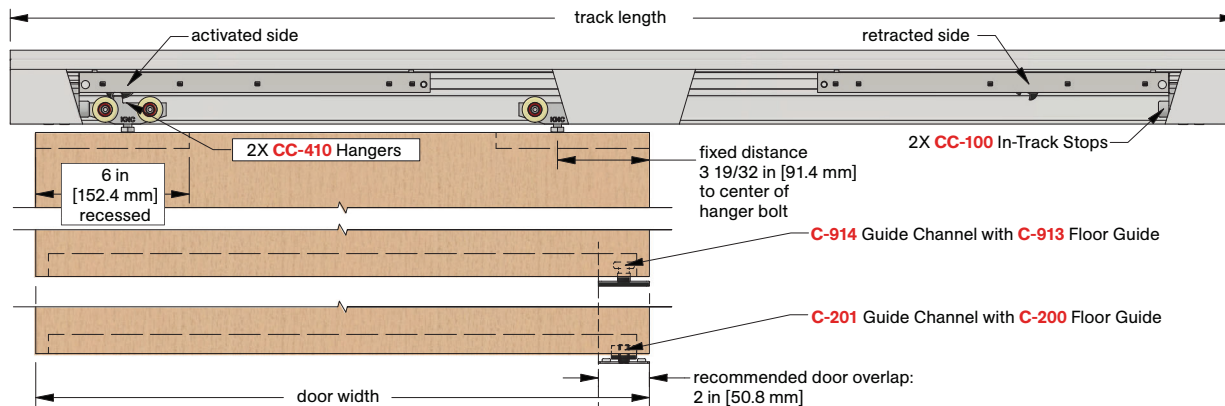


**Catch 'N' Close Device (2)**  
See details in instruction steps



**#10 x 1-1/2" Self-Drilling Screws (4)**  
[FT5]

## Elevation View

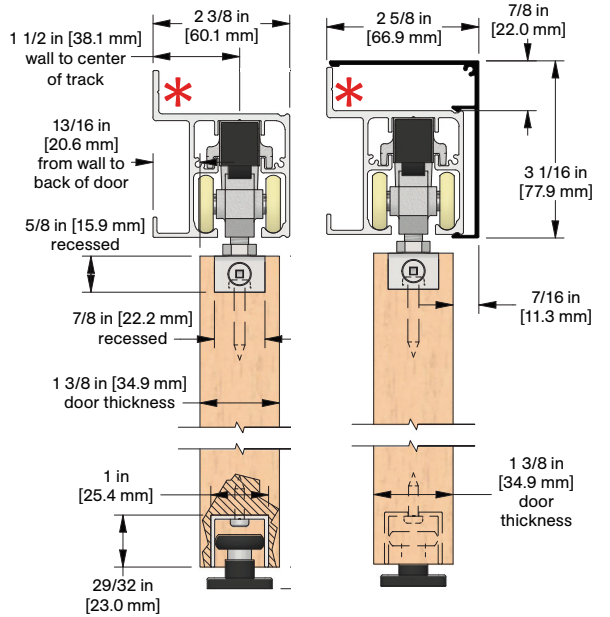
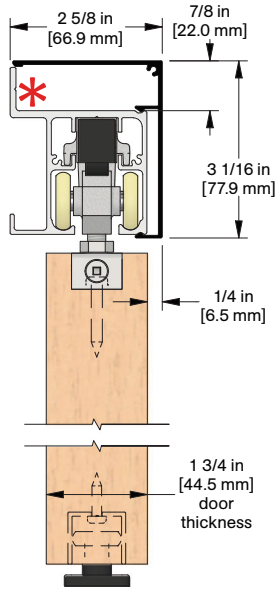
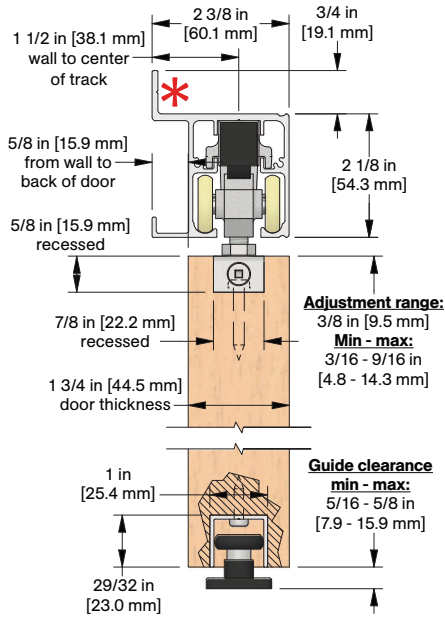


# Product Details and Dimensions

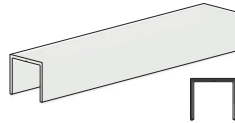
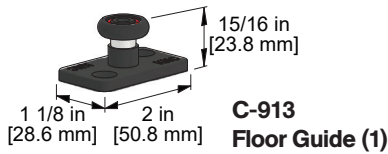
## Section View

\* Indicates mounting flange on CC-408 Track

CC-470 Snap-on Fascia illustrated as solid black profile



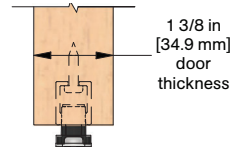
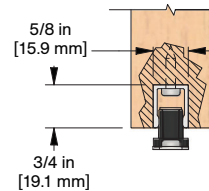
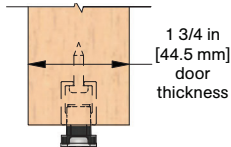
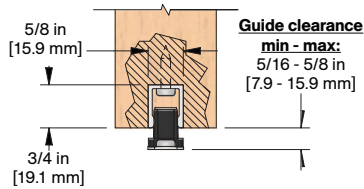
### CCL-410-W



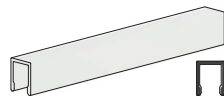
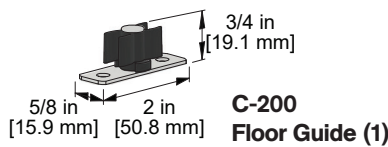
**C-914 Guide Channel x length (1)**  
Length = door width, example:  
36 in [914 mm] door = 36 in [914 mm] guide channel less set-backs if desired

**#8 x 3/4" Pan Head Screws (4)**  
[FT2]

**#10 x 1-1/2" Flat Head Screws (2)**  
[FT7]



### CCL-410-B

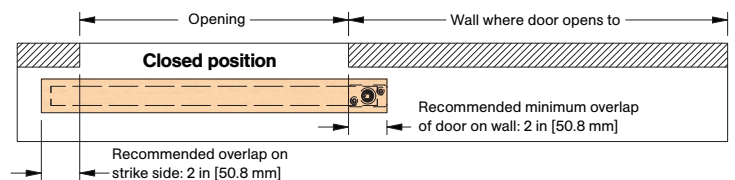
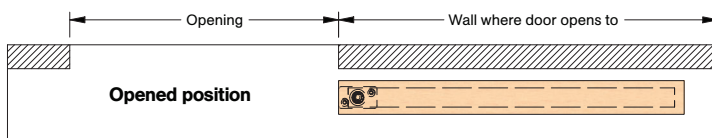


**C-201 Guide Channel x length (1)**  
Length = door width, example:  
36 in [914 mm] door = 36 in [914 mm] guide channel less set-backs if desired

**#8 x 3/4" Pan Head Screws (6)**  
[FT2]

## Typical installation location for floor guides

For barn door applications



# Installation Steps

## Step #1:

Determine door size, header height, track position, and bottom clearance based on kit code ordered by using dimensions shown in detail views on previous page.

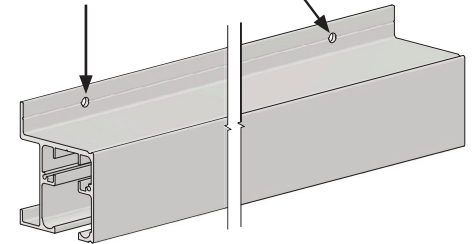
## Step #2:

**Note: If access to the ends of track is not available, steps #3 and 4 must be completed before step #2.**

Cut CC-408 aluminum track to size if required (typically 2 x the door width). Locate and pre-drill holes in mounting flange on track. Secure track to structural support/backing.

**Note: Solid backing is required. Recommended to use 5/16 in diameter lag or structural bolts to secure track. Spacing is recommended to be between 12-16 in [304-406 mm] on center. Consult structural engineer to ensure adequate support and fastening.**

Holes not provided. Must be located and drilled by installer.



## Step #3:

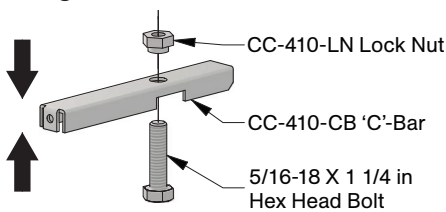
Assemble CC-410 Catch 'N' Close Hangers as shown below:

**Fig. 1** Locate CC-410 Hex Head Bolt into hole on CC-410-CB 'C'-Bar from underside. Thread CC-410-LN Lock Nut onto hex head bolt from reverse side with collar of CC-410-LN Lock Nut against CC-410 'C'-Bar. (2 x required)

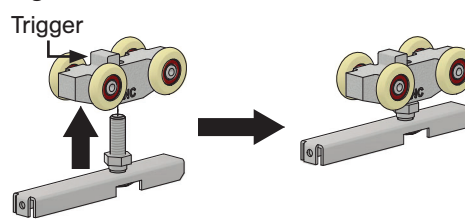
**Fig. 2** Thread assembly from **Fig. 1** into CC-400 Hanger Body from underside (side opposite the trigger), do not thread in fully. Completed CC-410 Hanger assembly (2 x required).

**Fig. 3** Shows underside of complete assembly with CC-410 Hex Head Bolt locked into place between the flanges of CC-410-CB 'C'-Bar.

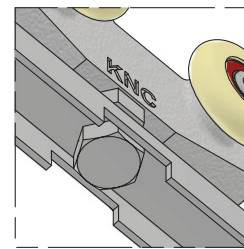
**Fig. 1**



**Fig. 2**



**Fig. 3**



## Step #4:

Slide one (1) CC-410 Hanger assembly (★) with trigger facing end of track and one (1) CC-100 In-Track Stop (●) into each end of track, as shown below.

**Note: Leave screws on CC-100 In-Track Stops (●) loose to allow stops to slide freely within track. Rubber bumpers of each stop (●) should face inward (toward middle of track).**

★ CC-410 Hanger

● CC-100 In-Track Stops

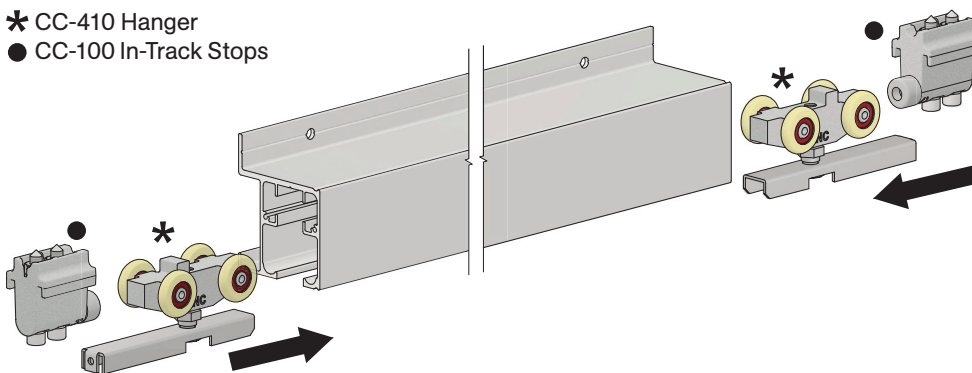
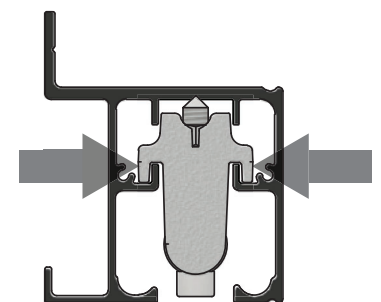


Illustration below shows correct positioning of stops in track



## Step #5:

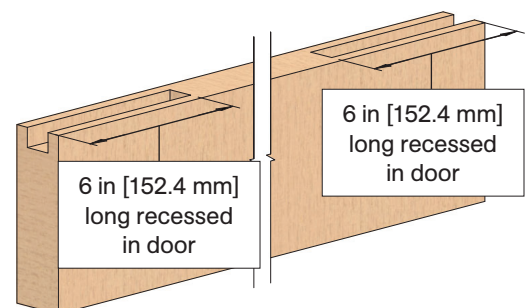
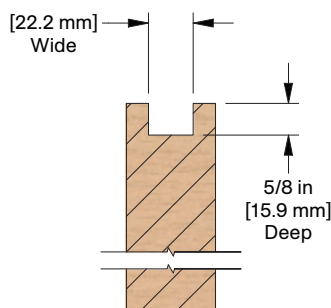
Prepare door to receive CC-410-UH

'U'-Housing flush with top edge of door.

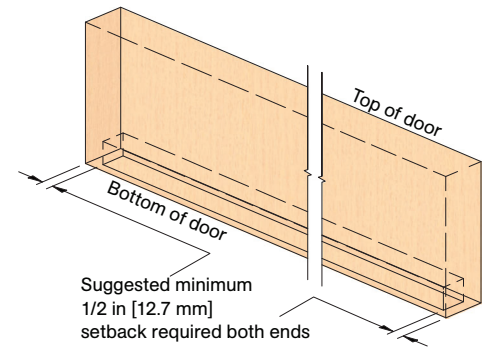
Slots must be 7/8 in [22.2 mm] wide,

5/8 in [15.9 mm] deep, and 6 in [152.4 mm]

long. See right.



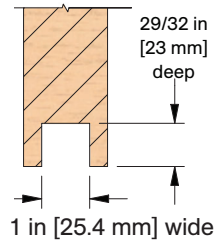
**Note: If door has sufficient overlap, guide channel can be recessed into door without cutting a full-length slot in door. If guide channel will be fully recessed, it is recommended to have at least 1/2 in [12.7 mm] door material at each end of door before start of guide channel slot.**



## For CCL-410-W

### Step #6:

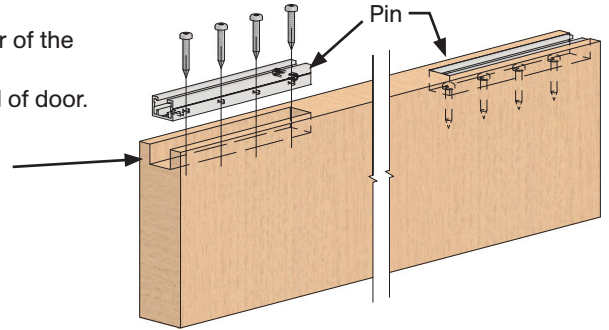
Prepare C-914 Guide Channel Slot in bottom of door:  
 1 in [25.4 mm] wide in center of door,  
 29/32 in [23 mm] deep and set back  
 1/2 in [12.7 mm] from both edges of door.  
 Make slot as accurate as possible for  
 secure fit and neat appearance.



### Step #7:

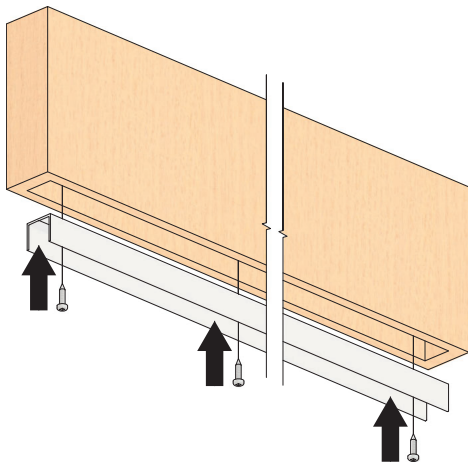
Place CC-410-UH 'U'-Housing into slot created in **step #5** with pin towards the center of the door in order to accommodate CC-410-EC End Cap. See illustration right for details.  
 Secure to door with (4) #10 x 1-1/4" Pan Head Screws [FT4]. Repeat for opposite end of door.

3/32 in [2.4 mm] Set back required for CC-410-EC End Cap (same on opposite end)



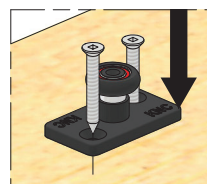
### Step #8:

Cut C-914 aluminum guide channel to correct length as required.  
 Drill holes in C-914 Guide Channel and pre-drill holes in door. Locate  
 C-914 Guide Channel in slot and secure channel into place with  
 (4) #8 x 3/4" Pan Head Screws [FT2].



### Step #9:

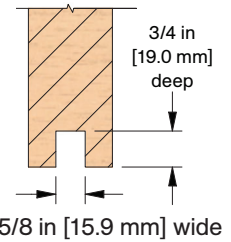
Position C-913 Guide per typical installation location details (page 2) and secure to floor with (2) #10 x 1-1/2" Flat Head Screws [FT7].



## For CCL-410-B

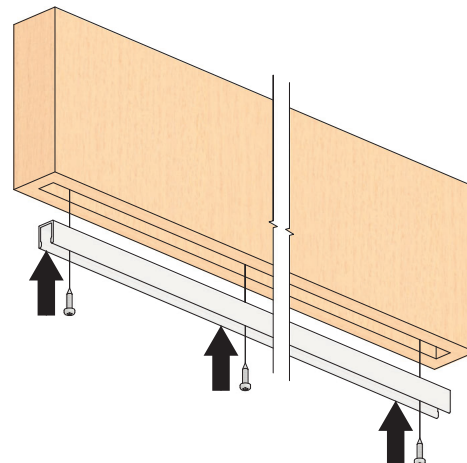
### Step #6:

Prepare C-201 Guide Channel Slot in  
 bottom of door:  
 5/8 in [15.9 mm] wide in center of door,  
 3/4 in [19.1 mm] deep and set back  
 1/2 in [12.7 mm] from both edges of door.  
 Make slot as accurate as possible for  
 secure fit and neat appearance.



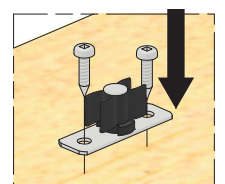
### Step #8:

Cut C-201 aluminum guide channel to correct length as required.  
 Drill holes in C-201 Guide Channel and pre-drill holes in door. Locate  
 C-201 Guide Channel in slot and screw channel into place with  
 (4) #8 x 3/4" Pan Head Screws [FT2].

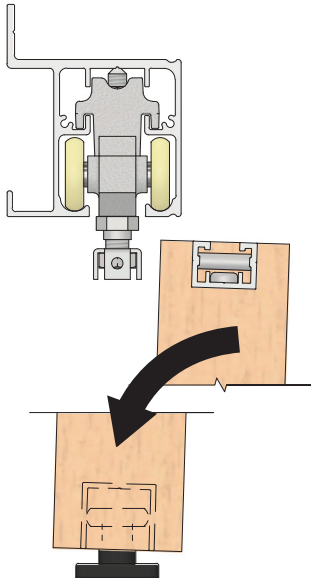


### Step #9:

Position C-200 Guide per typical installation location details (page 2) and secure to floor with (2) #8 x 3/4" Pan Head Screws [FT2].



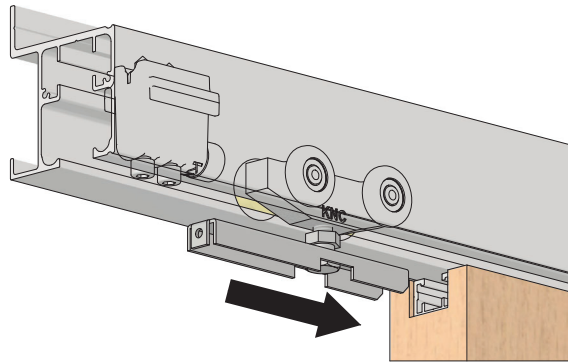




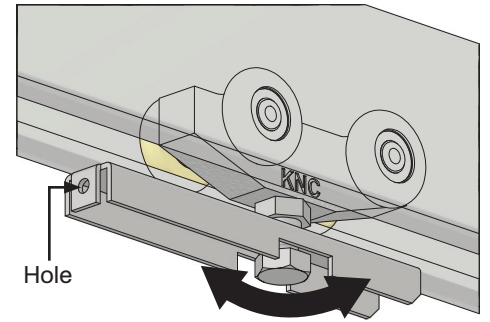
**Step #10:**

Raise door, position over guide. Slide the CC-410-CB 'C'-Bar into the CC-410-UH 'U'-Housings previously installed on doors.

**Note:** Threaded end hole must face outward. To make height adjustments, door will need to come off hangers in track, loosen the bolt to the adjustment slot found on the 'c'-bar, adjust and secure accordingly. Repeat step for opposite end of door.

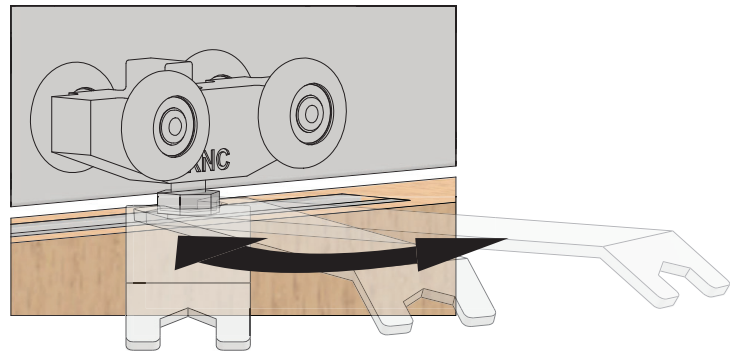


Hanger adjustment view



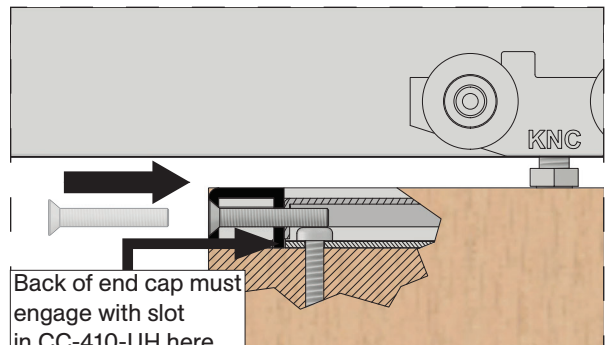
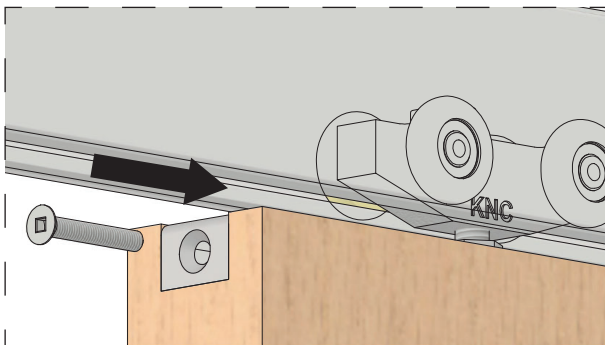
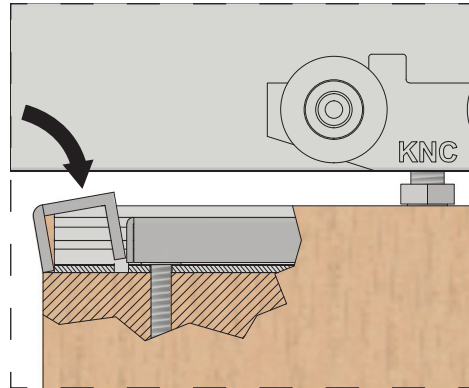
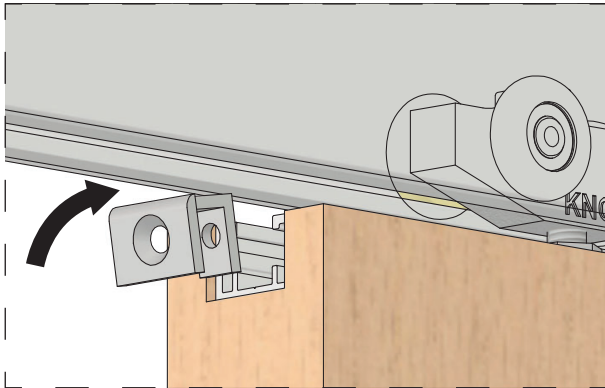
**Step #11:**

Once adjustments have been finalized, secure CC-410-LN Lock Nut with CP Adjustment Wrench.



**Step #12:**

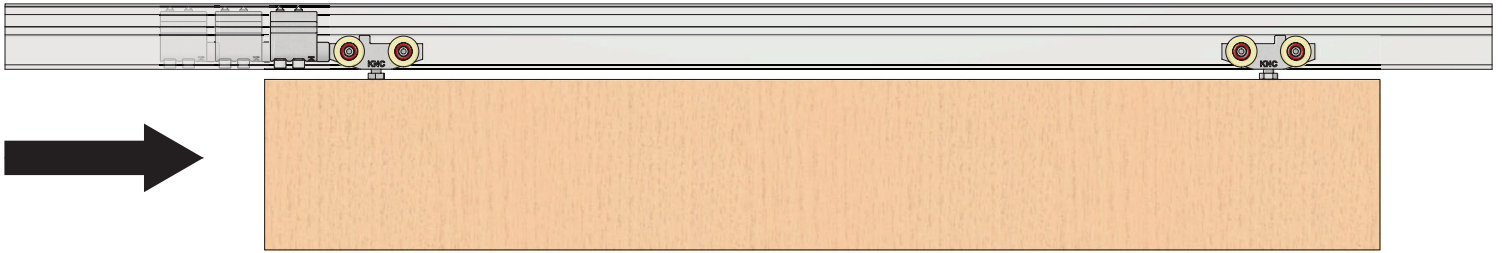
Install CC-410-EC End Caps (2) and secure with (2) #10 x 1-1/4" Flat Head Machine Screws [FT23] as shown below.



Back of end cap must engage with slot in CC-410-UH here

**Step #13:**

After door has been installed, position door approximately 5-10 in [127-254 mm] away from final position at one end, shown below with left side. Push loose CC-100 Stop (installed in **step #4**) against hanger body as shown below.



**Step #14:**

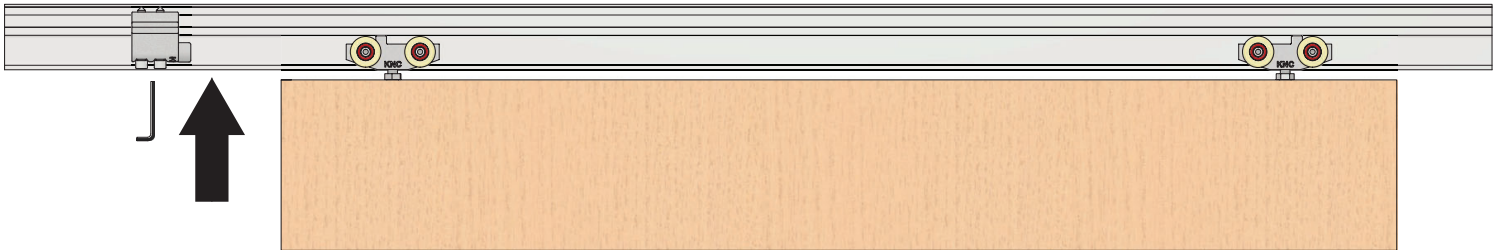
With CC-100 Stop loose, slide door to final/desired position of door as shown below.

**Note: Ensure that strike and trim thickness are taken into consideration for final/desired position of door.**



**Step #15:**

Once final position is achieved, slide door away from CC-100 Stop. Lock CC-100 Stop in position by tightening two cap screws on CC-100 Stop with 3/16 in allen key (CC-100 is secured by friction fit with cone point screws).



**Step #16:**

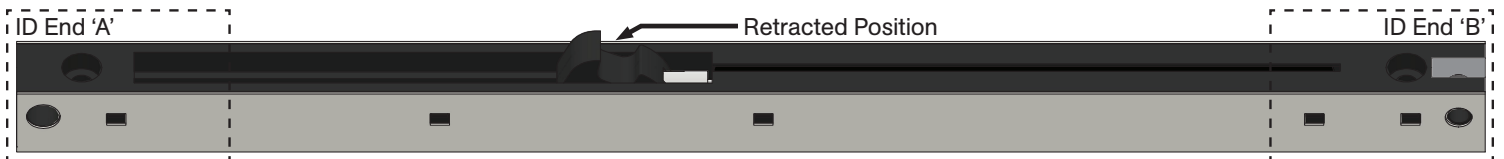
Repeat **steps #13 - 15** for opposite side.

**Note: Ensure that strike and trim thickness are taken into consideration for final/desired position of door.**

**Step #17:**

Before installing Catch 'N' Close Devices, ensure devices are in retracted position as shown below. If not in required position, slide hook down until it locks in position.

**Note: Requires significant finger pressure.**



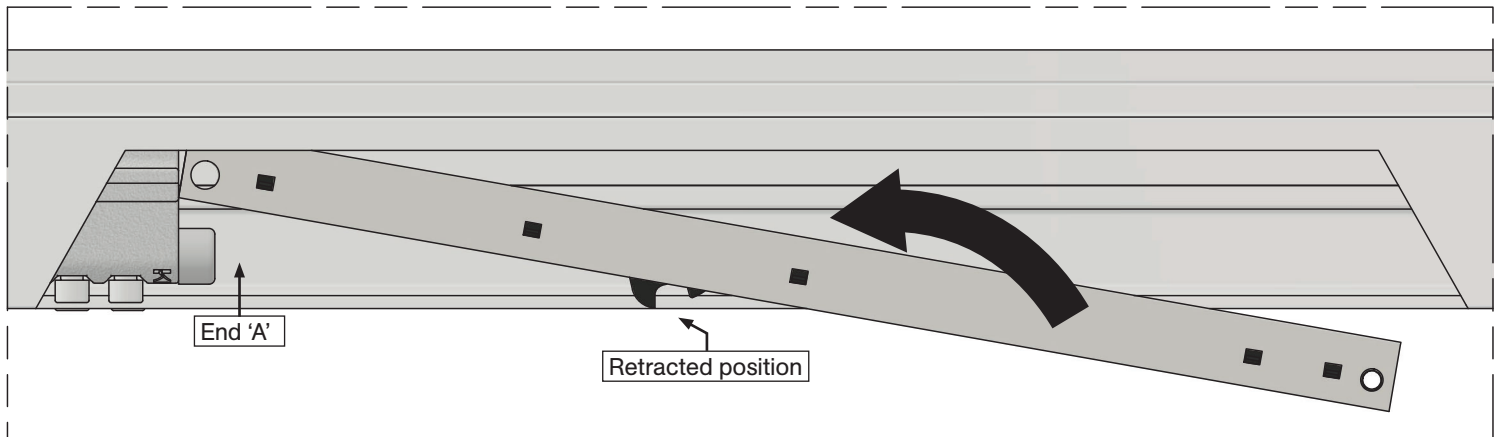
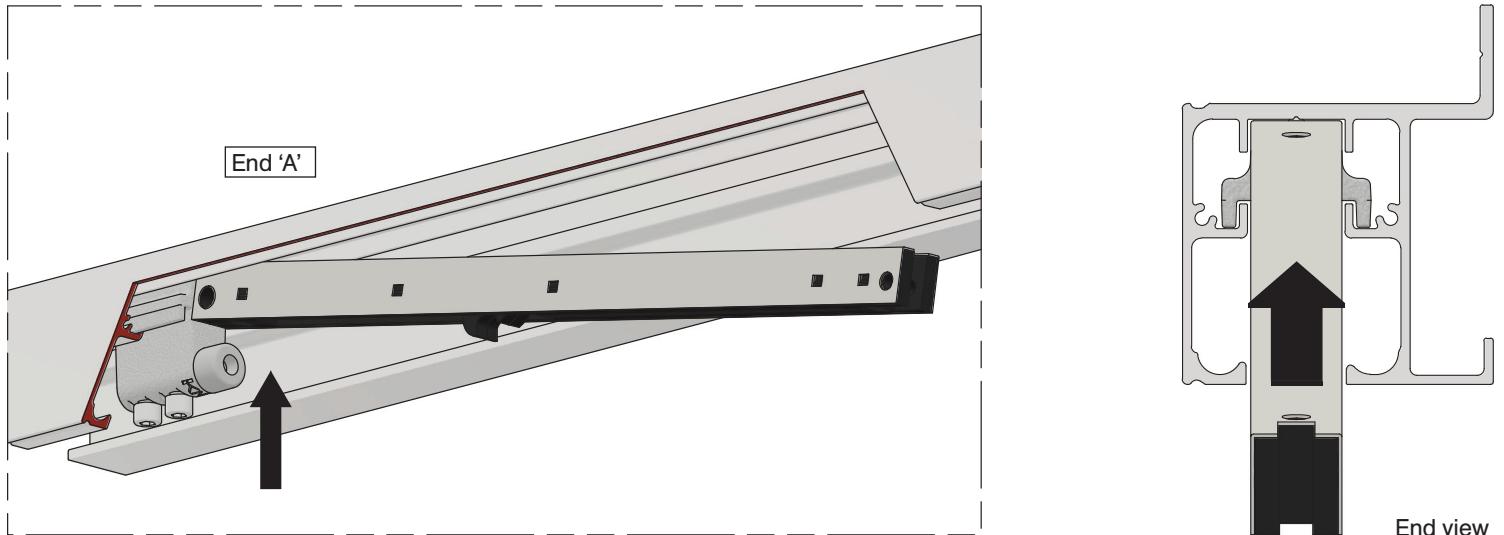
**Important Catch 'N' Close Device Notes:**

If doors are 75 lbs. [34 kg] or less, ensure CC-75 Catch 'N' Close Devices are used.

If doors are minimum 75 lbs. [34 kg] up to 150 lbs. [68 kg], ensure CC-1 Catch 'N' Close Devices are used.

**Step #18:**

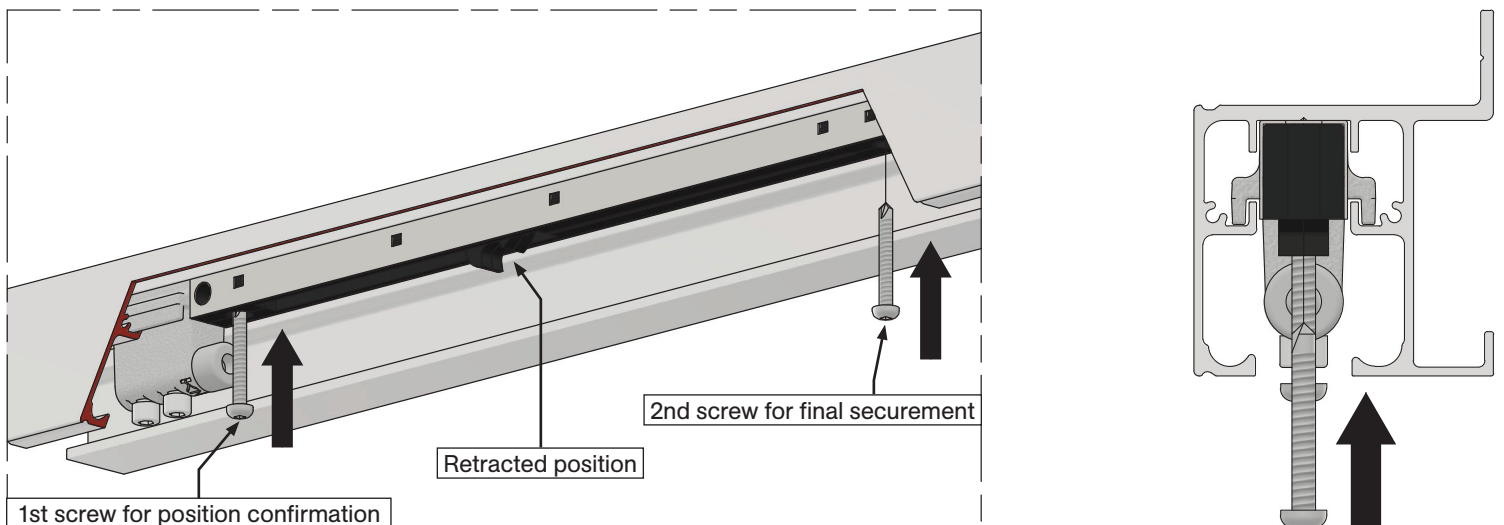
Place Catch 'N' Close Device into track with leading end 'A' resting against upper body on CC-100 Stops installed previously. See illustrations below.



**Step #19:**

Secure Catch 'N' Close Device to track with (2) #10 x 1-1/2" Self-Drilling Screws [FT5]. Repeat for opposite end with Catch 'N' Close Device installed in reverse as shown on front page in Elevation View illustration.

**Note:** If using impact driver to secure Catch 'N' Close Devices, do not overtighten screws. It is recommended to pre-drill track with Ø9/64 in [3.6 mm] drill bit. Secure first screw closest to CC-100 Stop only and test system by sliding door to activate Catch 'N' Close. If it is in correct position, secure with second screw. Remove any drill fillings from inside track.



**Step #20:**

Test complete Catch 'N' Close system by sliding door to both left and right to activate closing devices.

# CC-470 Fascia and CC-471 End Cap Installation

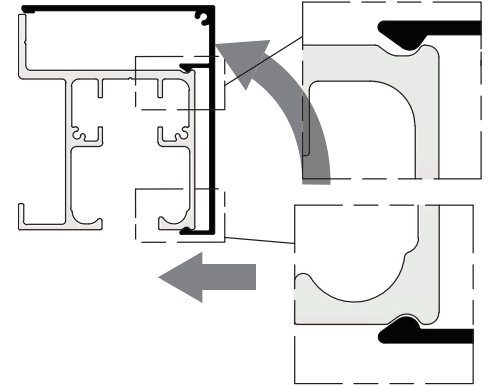
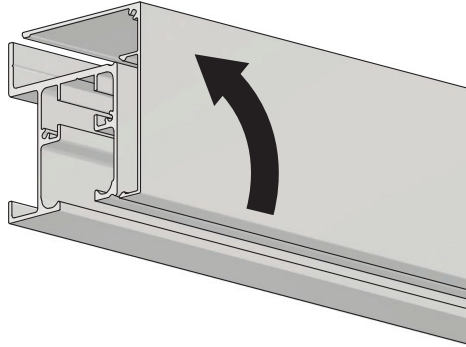
## Step #F1:

Cut CC-470 Fascia to correct length if required. Typically, fascia is same length as track previously installed.

## Step #F2:

Lift fascia up to track and snap-on as shown right.

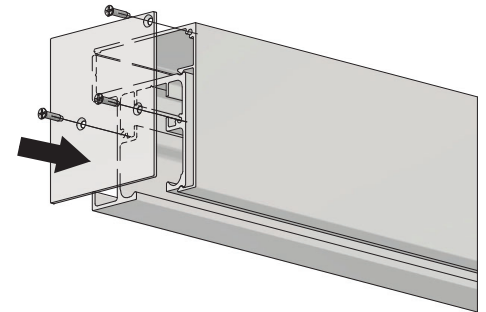
**Note: If fascia is loose and a tighter fit is desired, use a rubber mallet on inside leg of fascia to reduce gap (at +/-24 in [610 mm] intervals).**



## Step #F3:

Install CC-471 End Cap as shown right with the supplied #4 x 5/16" Flat Head Screws [FT29] (3 screws per end cap provided).

**Note: Do not install with impact driver.**



## Troubleshooting

Issue	Solution
Chatter/noise when door is sliding	Ensure there are no aluminum shavings within track. Shavings can become embedded in nylon tires and cause noise during operation.
Door is hard to move	Ensure guide channel secured to bottom of door is not over-tightened as this could cause sides of guide channel to "pinch" guide. Remove door and check guide channel by rolling guide roller in channel to ensure smooth travel. There should be little to no resistance. Ensure door is not dragging on bottom of floor/guides and adjust height of door as required.
Door rattles	Ensure locking nuts and screws on hangers are secured and not loose.
Door is not engaging closing device	Ensure hangers are correctly oriented. See <b>steps #3 - 4</b> . Ensure Catch 'N' Close Devices are in correct retracted or extended position prior to sliding door closed/open. See <b>step #17</b> .
Replacing the Catch 'N' Close Device	The Catch 'N' Close track and hardware system has been designed for easy installation. Remove two screws that hold Catch 'N' Close Device in place and replace device with a new one if failure occurs.