

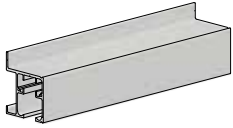
CCS- and CCSF-493

Installation Instructions

Easy Connect Catch 'N' Close System

- Prevents bouncing and slamming of sliding doors
- Can be installed on both opening and closing ends of doors as narrow as 18 in [457 mm]
- Cycle tested up to 150,000 times
- For up to 150 lbs. [68 kg] using CC-493 with CC-1

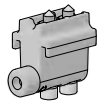
Parts' List



CC-408 Side Mount Track x length (1)

Length = 2 x door width, example:

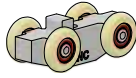
36 in [914 mm] door = 72 in [1829 mm] track



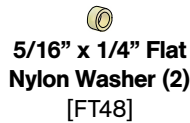
CC-100 Catch 'N' Close In-Track Stops (2)



C-AR93 Adjustment Rod (1)



CC-400 Hanger Body (2)
c/w wheels



5/16" x 1/4" Flat Nylon Washer (2)
[FT48]



C-493 Easy Connect Stud (2)



#10 x 1-1/2" Self-Drilling Screws (4)
[FT5]



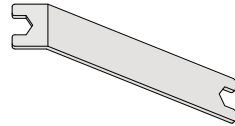
C-493 Top Plate (2)



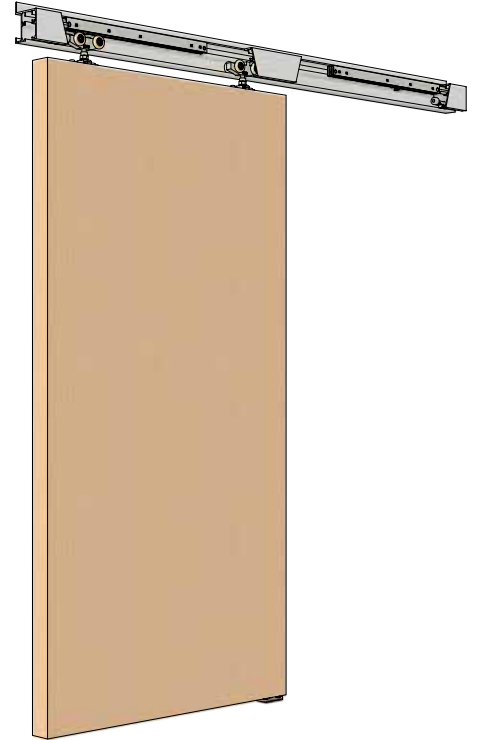
5/16-18 K-Lock Nut (2)
[FT17]



#10 x 1-1/4" Pan Head Screws (8)
[FT4]



CP Adjustment Wrench (1)

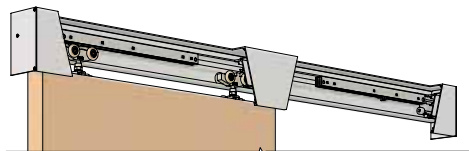


Complete CCS-493-W kit illustrated.
Cut-outs in track to expose components.

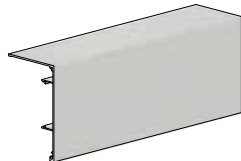


Catch 'N' Close Closing Device (2)
See details in instruction steps

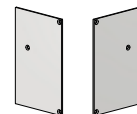
Optional Add-on Products



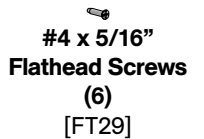
Complete CCSF-493-W kit illustrated.
Cut-outs in track and fascia to expose components.



CC-480 Snap-on Fascia x length (1)
Length = same as track length, example:
72 in [1829 mm] track = 72 in [1829 mm] fascia

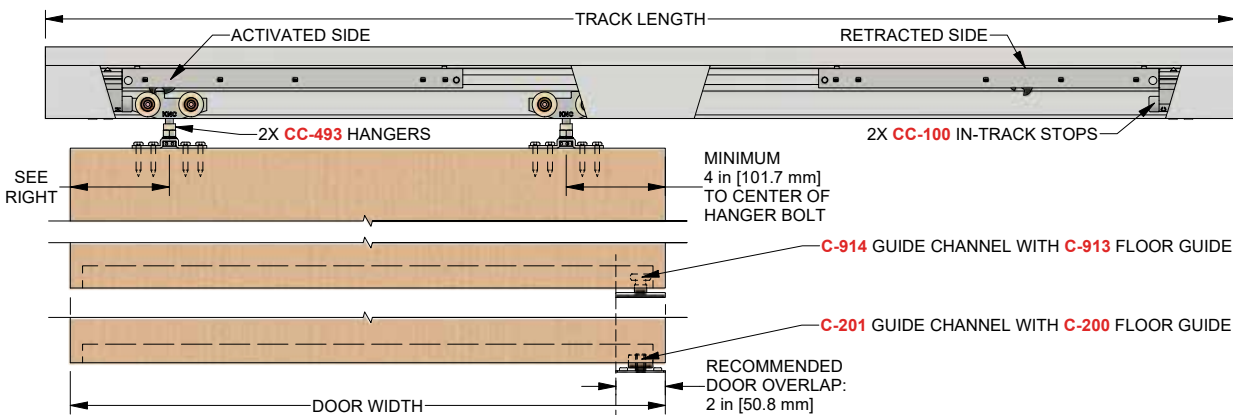


CC-482 End Caps (2)
Left and right



#4 x 5/16" Flathead Screws (6)
[FT29]

Elevation View

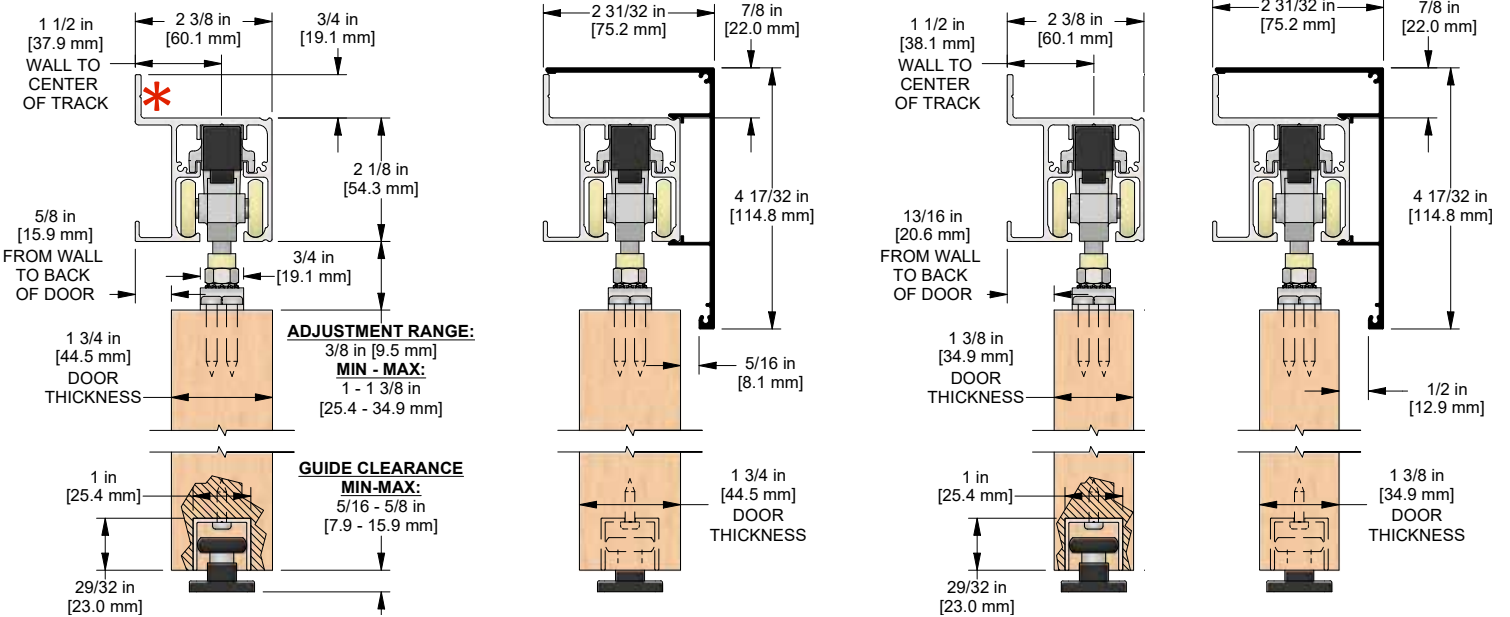


Product Details and Dimensions

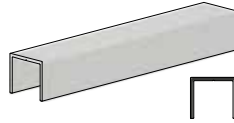
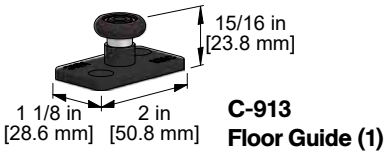
Section View

* Indicates mounting flange on CC-408 Track

CC-480 Snap-on Fascia illustrated as solid black profile



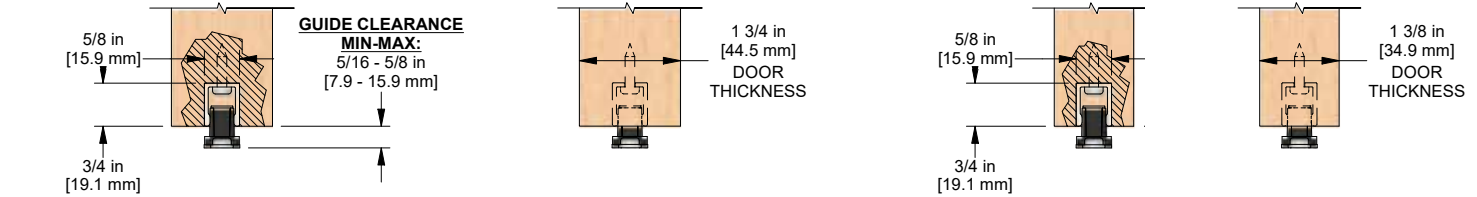
CCS[F]-493-W



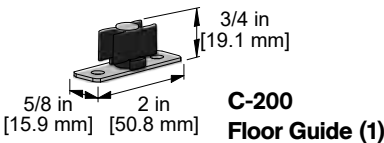
C-914 Guide Channel x length (1)
 Length = door width, example:
 36 in [914 mm] door = 36 in [914 mm] guide channel less set-backs if desired

#8 x 3/4" Pan Head Screws (4)
 [FT2]

#10 x 1-1/2" Flathead Screws (2)
 [FT7]



CCS[F]-493-B

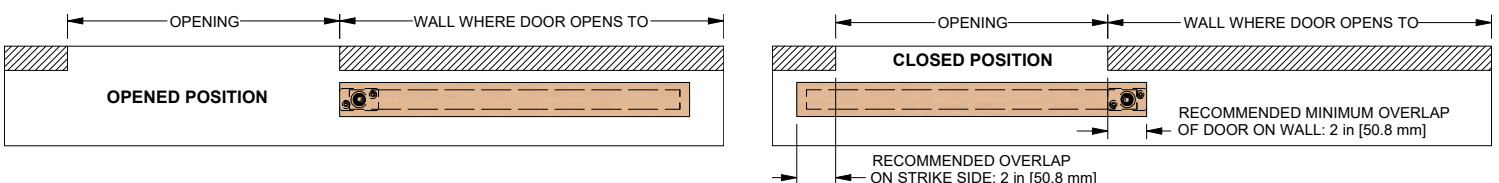


C-201 Guide Channel x length (1)
 Length = door width, example:
 36 in [914 mm] door = 36 in [914 mm] guide channel less set-backs if desired

#8 x 3/4" Pan Head Screws (6)
 [FT2]

Typical installation location for floor guides

For barn door applications



Installation Steps

Step #1:

Determine door size, header height, track position, and bottom clearance based on kit code ordered by using dimensions shown in detail views on previous page.

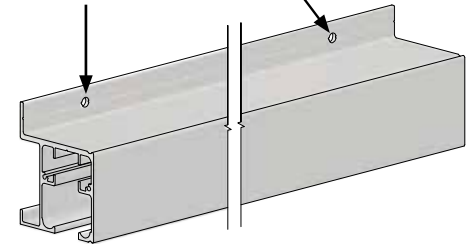
Step #2:

Note: If access to the ends of track is not available, steps #3 and 4 must be completed before step #2.

Cut CC-408 aluminum track to size if required (typically 2 x the door width). Locate and pre-drill holes in mounting flange on track. Secure track to structural support/backing.

Note: Solid backing is required. Recommended to use 5/16 in diameter lag or structural bolts to secure track. Spacing is recommended to be between 12-16 in [304-406 mm] on center. Consult structural engineer to ensure adequate support and fastening.

Holes not provided. Must be located and drilled by installer.



Step #3:

Assemble CC-493 Catch 'N' Close Hangers as shown below:

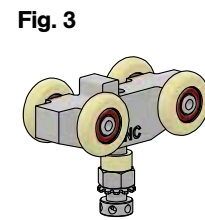
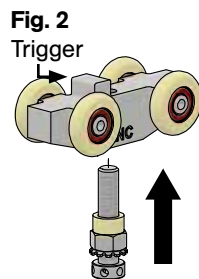
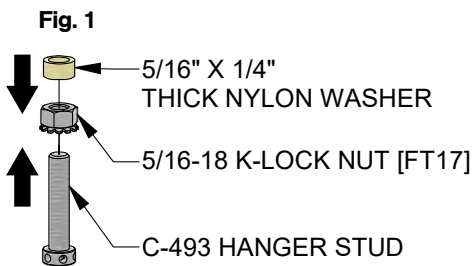
Fig. 1 Thread 5/16-18 K-Lock Nut [FT17] onto C-493 Easy Connect Stud with lock washer facing bolt head.

Slide 5/16" x 1/4" Flat Nylon Washer [FT48] onto bolt and rest against lock washer nut. (2 x required)

Note: Nylon washer must be installed to prevent damage to Catch 'N' Close Closing Devices.

Fig. 2 Thread assembly from **Fig. 1** into CC-400 Hanger Body from underside (side opposite the trigger), do not thread in fully.

Fig. 3 Completed CC-493 Hanger assembly (2 x required).



Step #4:

Slide one (1) CC-493 Hanger assembly (★) with trigger facing end of track and one (1) CC-100 In-Track Stop (●) into each end of track.

Note: Leave screws on CC-100 In-Track Stops (●) loose to allow stops to slide freely within track. Rubber bumpers of each stop (●) should face inward, toward middle of track.

- ★ CC-493 Hanger
- CC-100 In-Track Stops

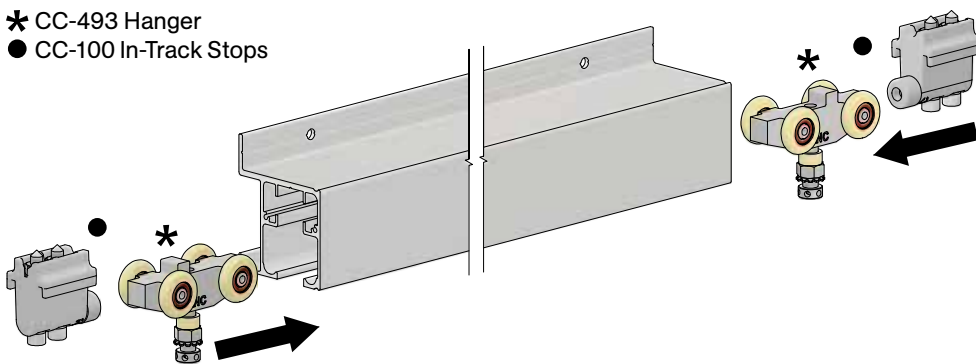
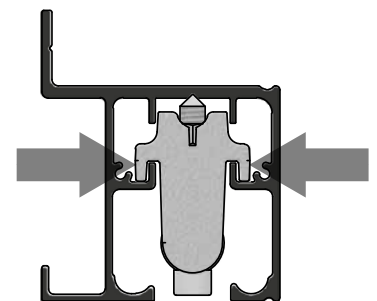
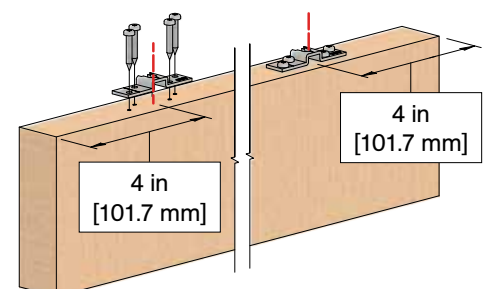


Illustration below shows correct positioning of stops in track

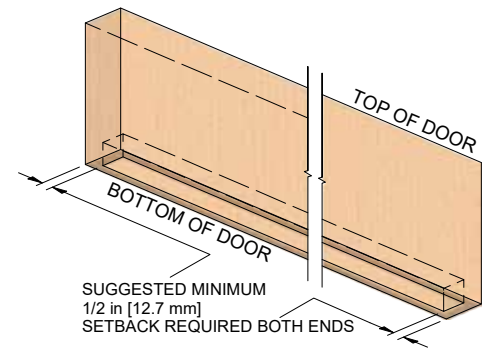


Step #5:

Locate center of "U" slot (dash line shown right) of C-493 Top Plate at 4 in [101.6 mm] from each edge of door or 2 1/2 in [63.5 mm] from edge of door to leading edge of top plate. Mark screw hole locations or use template on page 8 and pre-drill Ø1/8 in [3.2 mm] holes at least 1 1/2 in [38.1 mm] deep. Secure C-493 Top Plates with (4 per hanger) #10 x 1-1/4" Pan Head Screws [FT4]. See right.



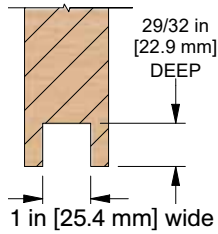
Note: If door has sufficient overlap, guide channel can be recessed into door without cutting a full-length slot in door. If guide channel will be fully recessed, it is recommended to have at least 1/2 in [12.7 mm] door material at each end of door before start of guide channel slot.



For CCS[F]-493-W

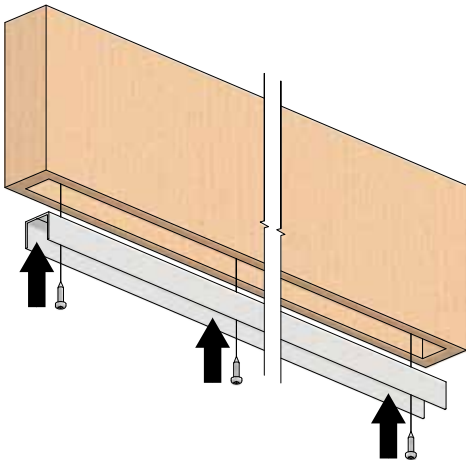
Step #6:

Prepare C-914 Guide Channel Slot in bottom of door:
 1 in [25.4 mm] wide in center of door,
 29/32 in [22.9 mm] deep and set back
 1/2 in [12.7 mm] from both edges of door.
 Make slot as accurate as possible for
 secure fit and neat appearance.



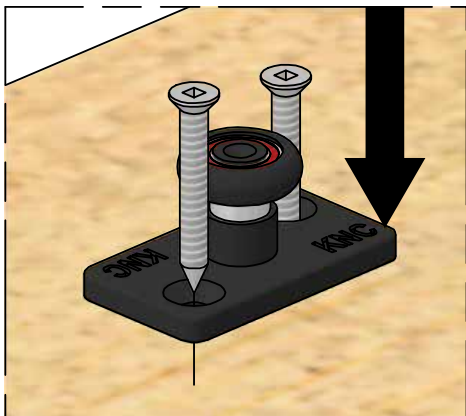
Step #7:

Cut C-914 aluminum guide channel to correct length as required.
 Drill holes in C-914 Guide Channel and pre-drill holes in door. Locate
 C-914 Guide Channel in slot and secure channel into place with
 (4) #8 x 3/4" Pan Head Screws [FT2].



Step #8:

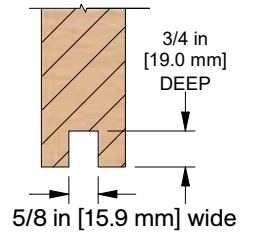
Position C-913 Guide per typical installation location details (page 2)
 and secure to floor with (2) #10 x 1-1/2" Flathead Screws [FT7].



For CCS[F]-493-B

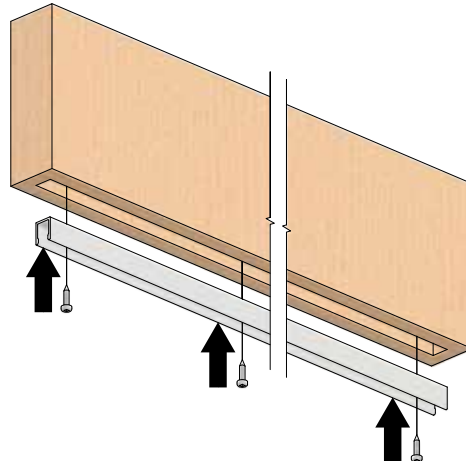
Step #6:

Prepare C-201 Guide Channel Slot in
 bottom of door:
 5/8 in [15.9 mm] wide in center of door,
 3/4 in [19.1 mm] deep and set back
 1/2 in [12.7 mm] from both edges of door.
 Make slot as accurate as possible for
 secure fit and neat appearance.



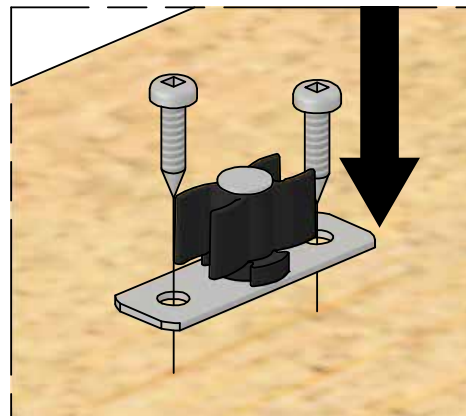
Step #7:

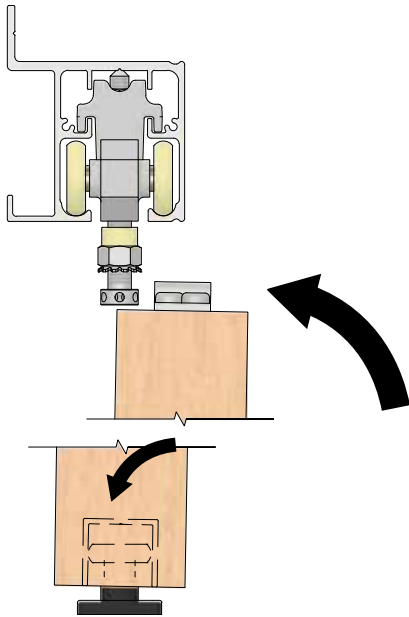
Cut C-201 aluminum guide channel to correct length as required.
 Drill holes in C-201 Guide Channel and pre-drill holes in door. Locate
 C-201 Guide Channel in slot and screw channel into place with
 (4) #8 x 3/4" Pan Head Screws [FT2].



Step #8:

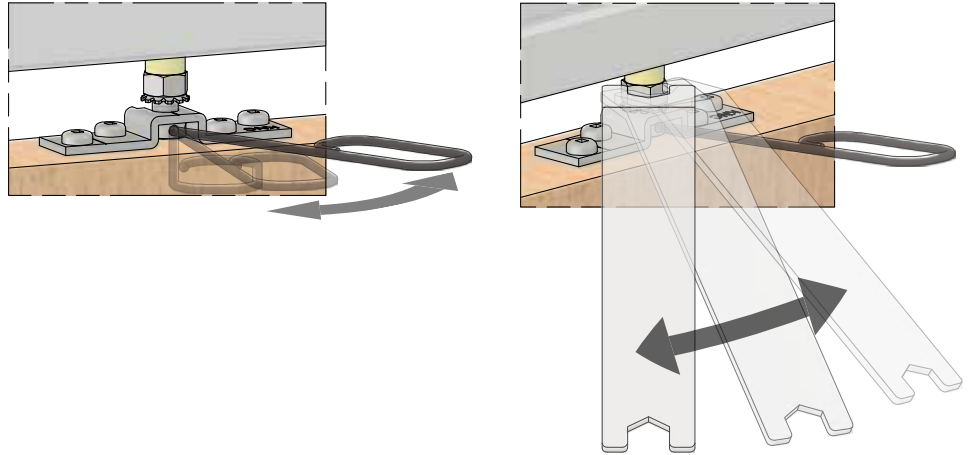
Position C-200 Guide per typical installation location details (page 2)
 and secure to floor with (2) #8 x 3/4" Pan Head Screws [FT2].





Step #9:

Raise door, position over guide, and under hangers in track. Lift door up and engage top plate "U" slot with C-493 Easy Connect Stud. Adjust door height and plumb by using C-AR93 Adjustment Rod on C-493 Easy Connect Studs. Lock final height adjustment with 5/16-18 K-Lock Nuts [FT17] using CP-Wrench.



Step #10:

After door has been installed, position door approximately 5-10 in [127-254 mm] away from final position at one end, shown below with left side. Push loose CC-100 Stop, installed in **step #4**, against hanger body.



Step #11:

With CC-100 Stop loose, slide door to final/desired position of door.

Note: Ensure that strike and trim thickness are taken into consideration for final/desired position of door.



Step #12:

Once final position is achieved, slide door away from CC-100 Stop. Lock CC-100 Stop in position by tightening two cap screws on CC-100 Stop with 3/16 in allen key. CC-100 is secured by friction fit with cone point screws.



Step #13:

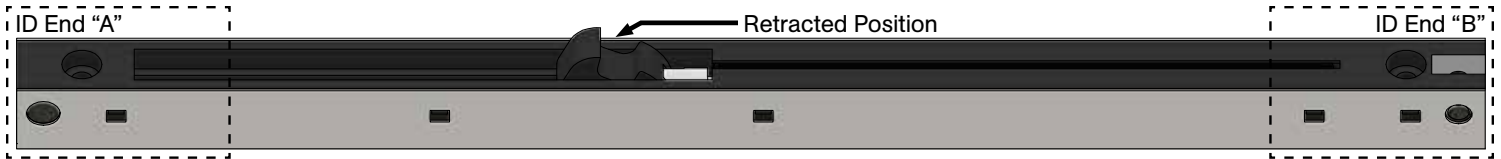
Repeat **steps #10 - 12** for opposite side.

Note: Ensure that strike and trim thickness are taken into consideration for final/desired position of door.

Step #14:

Before installing Catch 'N' Close Closing Devices, ensure devices are in retracted position as shown below. If not in required position, slide hook down until it locks in position.

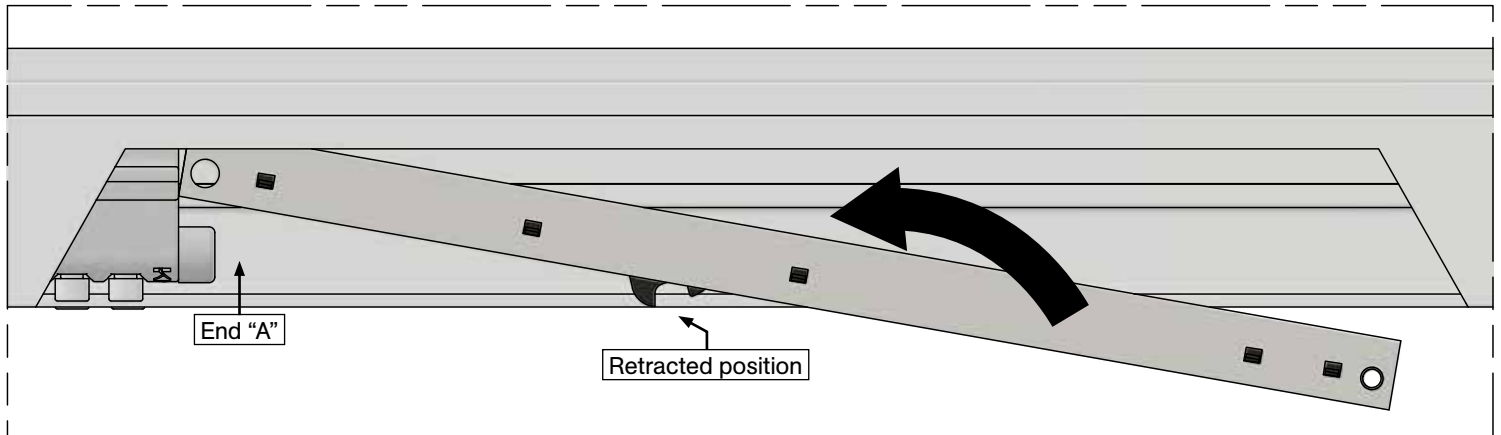
Note: Requires significant finger pressure.



Important Catch 'N' Close Closing Device Notes:
If doors are 75 lbs. [34 kg] or less, ensure CC-75 Catch 'N' Close Closing Devices are used.
If doors are minimum 75 lbs. [34 kg] up to 150 lbs. [68 kg], ensure CC-1 Catch 'N' Close Closing Devices are used.

Step #15:

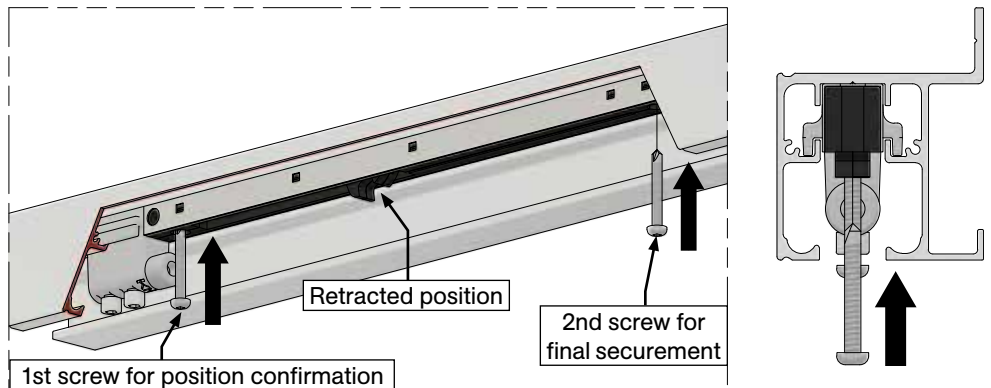
Place Catch 'N' Close Closing Device into track with leading end "A" resting against upper body on CC-100 Stops installed previously. See illustrations below:



Step #16:

Secure Catch 'N' Close Closing Device to track with (2) #10 x 1-1/2" Self-Drilling Screws [FT5]. Repeat for opposite end with Catch 'N' Close Closing Device installed in reverse as shown on front page in "Elevation View" illustration.

Note: If using impact driver to secure Catch 'N' Close Devices, do not overtighten screws. It is recommended to pre-drill track with Ø9/64 in [3.6 mm] drill bit. Secure first screw closest to CC-100 Stop only and test system by sliding door to activate Catch 'N' Close. If it in correct position, secure with second screw. Remove any drill fillings from inside track.



Step #17:

Test complete Catch 'N' Close system by sliding door to both left and right to activate closing devices.

Optional CC-480 Fascia and CC-482 End Cap Installation

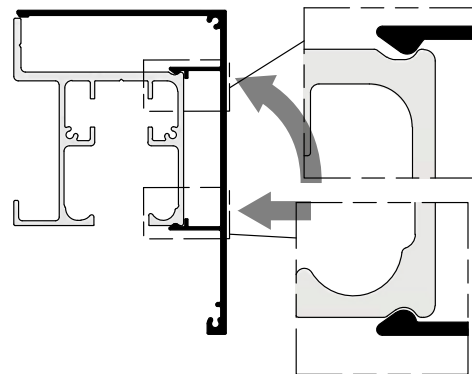
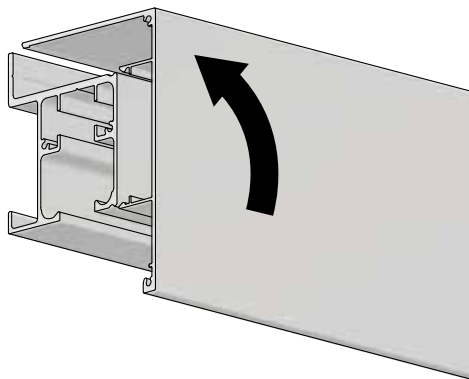
Step #F1:

Cut CC-480 Fascia to correct length if required. Typically, fascia is same length as track previously installed.

Step #F2:

Lift fascia up to track and snap-on as shown below.

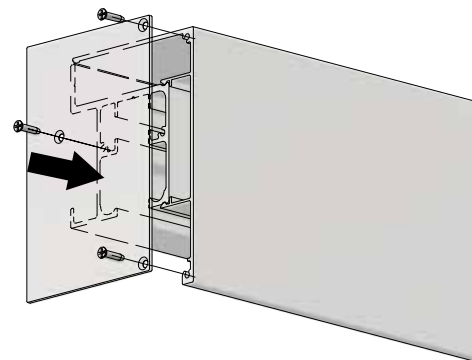
Note: If fascia is loose and a tighter fit is desired, use a rubber mallet on inside leg of fascia to reduce gap at +/-24 in [610 mm] intervals.



Step #F3:

Install CC-482 End Cap as shown right with the supplied #4 x 5/16" Flathead Screws [FT29], 3 screws per end cap provided.

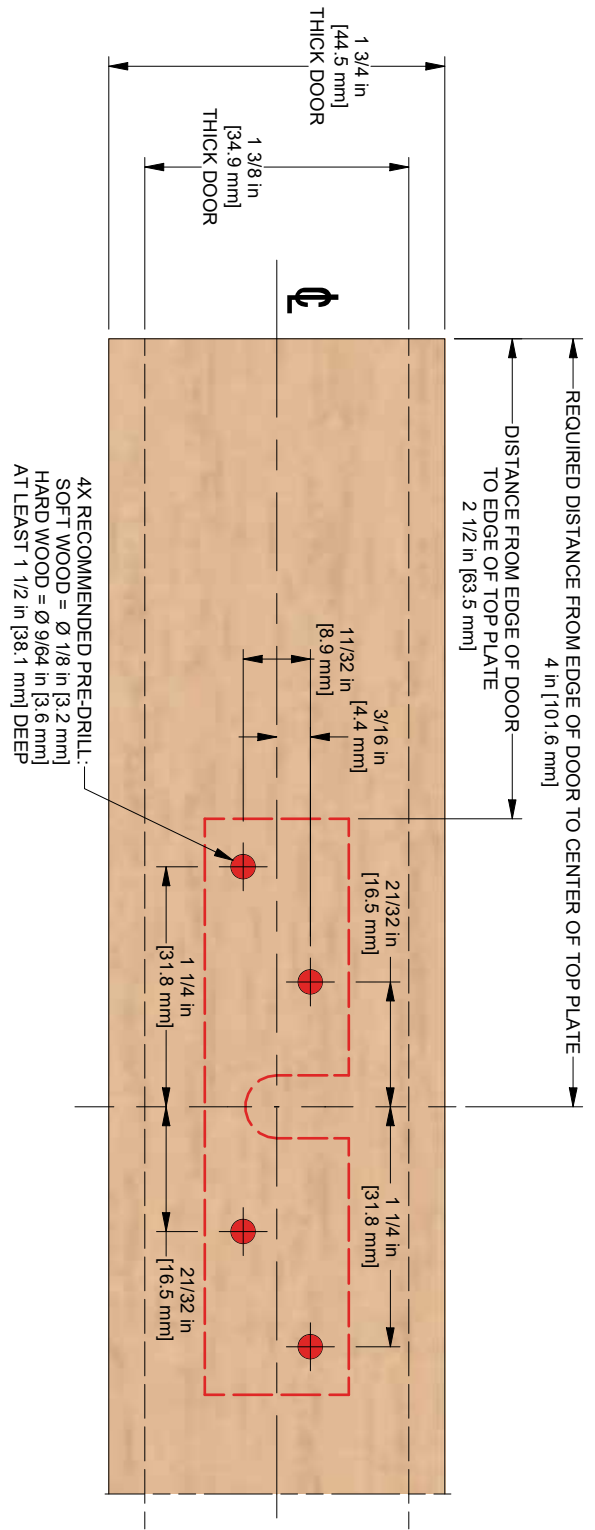
Note: Do not install with impact driver.



Troubleshooting

| Issue | Solution |
|--------------------------------------|---|
| Chatter/noise when door is sliding | Ensure there are no aluminum shavings within track. Shavings can become embedded in nylon tires and cause noise during operation. |
| Door is hard to move | Ensure guide channel secured to bottom of door is not over-tightened as this could cause sides of guide channel to "pinch" guide. Remove door and check guide channel by rolling guide roller in channel to ensure smooth travel. There should be little to no resistance. Ensure door is not dragging on bottom of floor/guides and adjust height of door as required. |
| Door rattles | Ensure locking nuts and screws on hangers are secured and not loose. |
| Door is not engaging closing device | Ensure hangers are correctly oriented. See steps #3 - 4 . Ensure Catch 'N' Close Closing Devices are in correct retracted or extended position prior to sliding door closed/open. See step #14 . |
| Replacing the Catch 'N' Close Device | The Catch 'N' Close track and hardware system has been designed for easy installation. Remove two screws that hold Catch 'N' Close Closing Device in place and replace device with a new one if failure occurs. |

TOP PLATE LOCATION TEMPLATE



TOP PLATE LOCATION TEMPLATE

