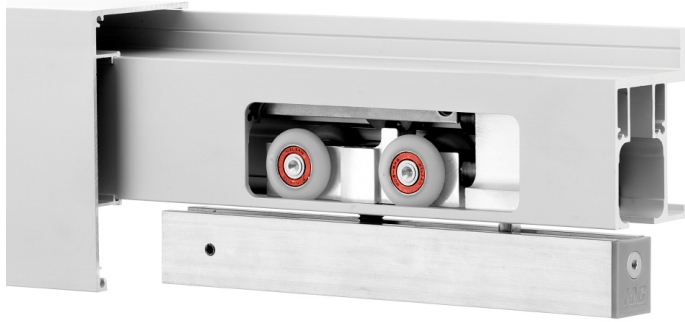


CCS- and CCSF-810



FEATURES

- 300 lbs. [136 kg] weight capacity
- Effortless opening and closing of the door with the Catch 'N' Close Closing System (for doors wider than 30 in [762 mm])
- Zero Clearance Hanger System reduces light and sound entry
- Nylon wheels and precision ball bearings provide smooth and quiet door operation
- Cycle tested for up to 150,000 cycles without fail
- ADA Compliant (Barrier-free) design
- Available in clear or black anodized, mill finish or powder coated

COMPLETE 1 DOOR KIT BREAKDOWN



1 - CC-908 Side Mount Track
x length based on kit size (e.g. 72 in [1829 mm] kit for 36 in [914 mm] wide door)



2 - CC-810 Zero Clearance Catch 'N' Close Hangers
complete with screws and adjustment tools



2 - CC-101HD Catch 'N' Close In-Track Stops
complete with set screws for friction fit



2 - Catch 'N' Close Closing Devices
complete with screws
CC-2 for doors up to 200 lbs. [90 kg]
CC-3 for doors up to 300 lbs. [136 kg]



1 - C-914 Aluminum Guide Channel
x length based on kit size (e.g. 36 in [914 mm] guide channel for 72 in [1829 mm] kit)

1 - C-913 Floor Guide
complete with screws

OPTIONAL

Door Locks & Pulls



Add-On Products



CC-980 Fascia
x length based on required size

CC-982 End Cap Pair
Complete with screws

Customer Name

Job No./Name

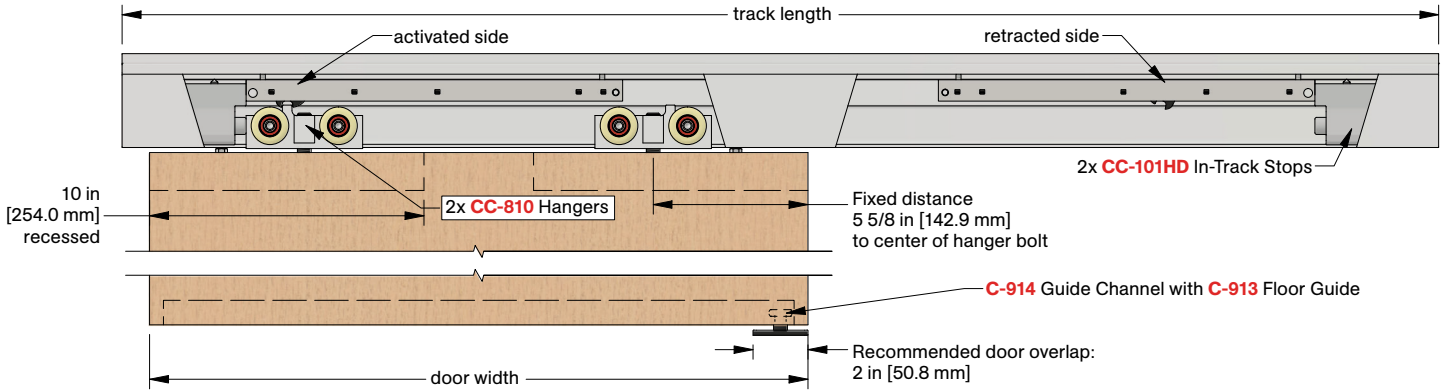
Date

Provided By

Notes

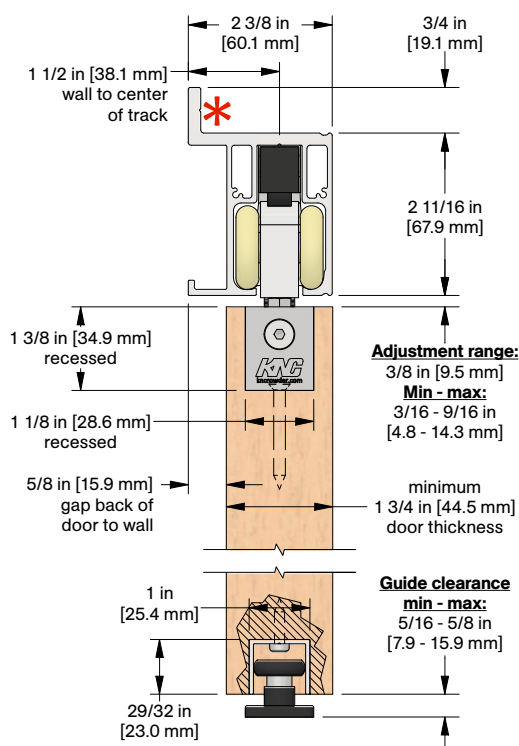
CCS- and CCSF-810

COMPLETE ELEVATION VIEW

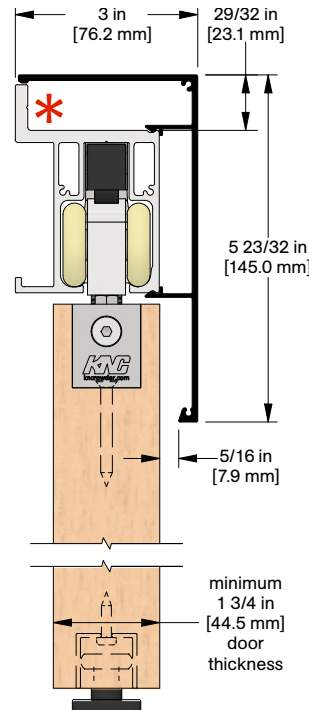


PRODUCT DIMENSIONS

* Indicates mounting flange on CC-908 Track



Optional CC-980 Snap-on Fascia, illustrated as solid black profile



Installation
Instructions



Customer Name

Job No./Name

Date

Provided By

Notes