

# CCS- and CCSF-998



## FEATURES

- 300 lbs. [136 kg] weight capacity
- Effortless opening and closing of the door with the Catch 'N' Close Closing System (for doors wider than 20 in [508 mm])
- Easy Connect Hanger System for easy installation
- Nylon wheels and precision ball bearings provide smooth and quiet door operation
- Cycle tested for up to 150,000 cycles without fail
- ADA Compliant (Barrier-free) design
- Available in clear or black anodized, mill finish or powder coated

## COMPLETE 1 DOOR KIT BREAKDOWN



**1 - CC-908 Side Mount Track**  
x length based on kit size (e.g. 72 in [1829 mm] kit for 36 in [914 mm] wide door)



**2 - CC-998 Heavy-Duty Easy Connect Catch 'N' Close Hangers**  
complete with screws and adjustment tools



**2 - CC-101HD Catch 'N' Close In-Track Stops**  
complete with set screws for friction fit



**2 - Catch 'N' Close Closing Devices**  
complete with screws  
**CC-2** for doors up to 200 lbs. [90 kg]  
**CC-3** for doors up to 300 lbs. [136 kg]



**1 - C-914 Aluminum Guide Channel**  
x length based on kit size (e.g. 36 in [914 mm] guide channel for 72 in [1829 mm] kit)  
**1 - C-913 Floor Guide**  
complete with screws

## OPTIONAL

### Door Locks & Pulls



### Add-On Products



**CC-980 Fascia**  
x length based on required size

**CC-982 End Cap Pair**  
Complete with screws

Customer Name

Job No./Name

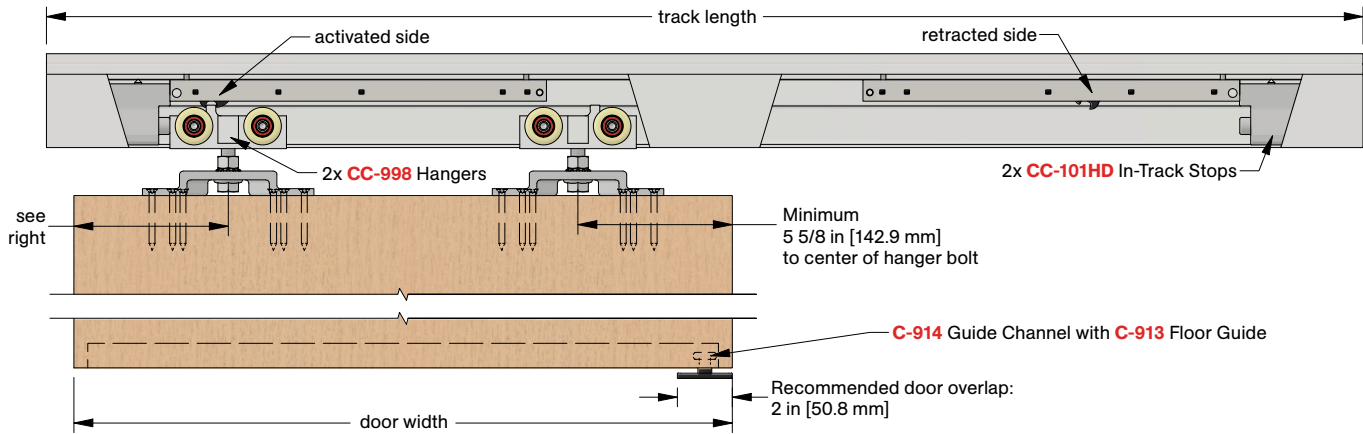
Date

Provided By

Notes

# CCS- and CCSF-998

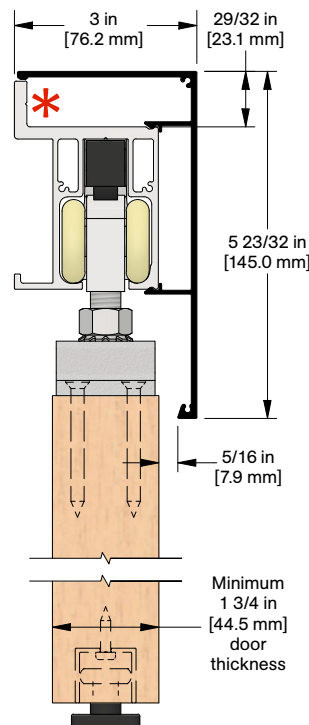
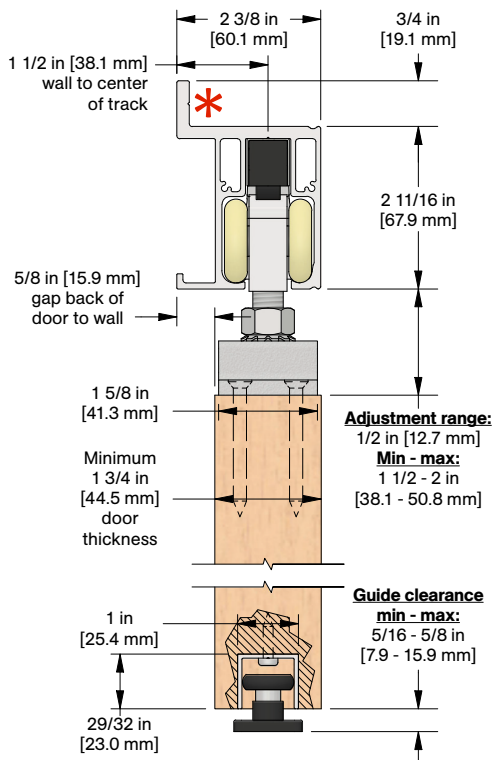
## COMPLETE ELEVATION VIEW



## PRODUCT DIMENSIONS

\* Indicates mounting flange on CC-908 Track

Optional CC-980 Snap-on Fascia, illustrated as solid black profile



Installation  
Instructions



Customer Name

Job No./Name

Date

Provided By

Notes