

CCSSF-993



FEATURES

- 200 lbs. [90 kg] weight capacity
- Effortless opening and closing of the door with the Catch 'N' Close Closing System (for doors wider than 18 in [457 mm])
- Easy Connect Hanger System for easy installation
- Nylon wheels and precision ball bearings provide smooth and quiet door operation
- Cycle tested for up to 150,000 cycles without fail
- ADA Compliant (Barrier-free) design
- Available in clear or black anodized, mill finish or powder coated

COMPLETE 1 DOOR KIT BREAKDOWN



- 1 - CC-908 Side Mount Track**
x length based on kit size (e.g. 72 in [1829 mm] kit for 36 in [914 mm] wide door)



- 1 - CC-990 Sloped Fascia**
x length based on required size

- 1 - CC-991 End Cap Pair**
complete with screws



- 2 - CC-993 Easy Connect Catch 'N' Close Hangers**
complete with screws and adjustment tools



- 2 - CC-101HD Catch 'N' Close In-Track Stops**
complete with set screws for friction fit



- 2 - CC-2 Catch 'N' Close Closing Devices**
complete with screws



- 1 - C-914 Aluminum Guide Channel**
x length based on kit size (e.g. 36 in [914 mm] guide channel for 72 in [1829 mm] kit)

- 1 - C-913 Floor Guide**
complete with screws

OPTIONAL

Door Locks & Pulls



Customer Name

Job No./Name

Date

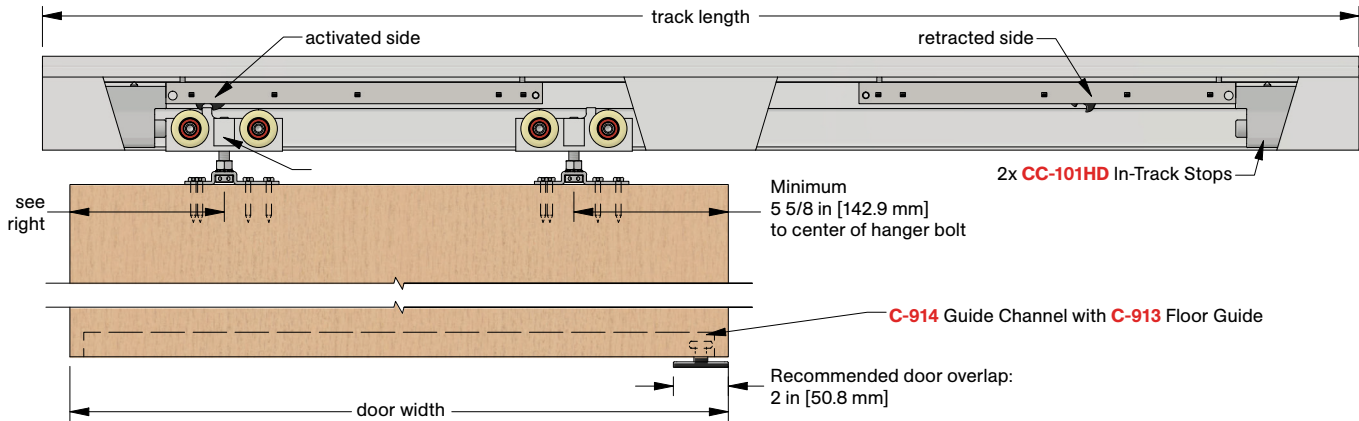
Provided By

Notes

CCSSF-993

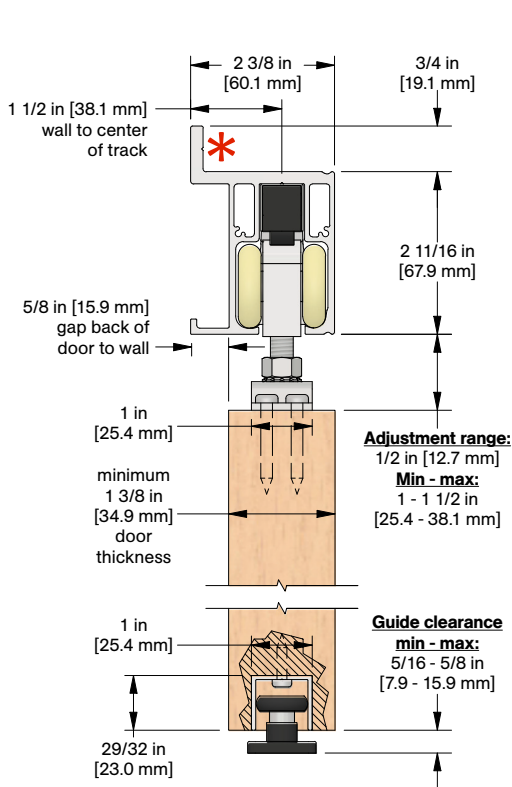


COMPLETE ELEVATION VIEW

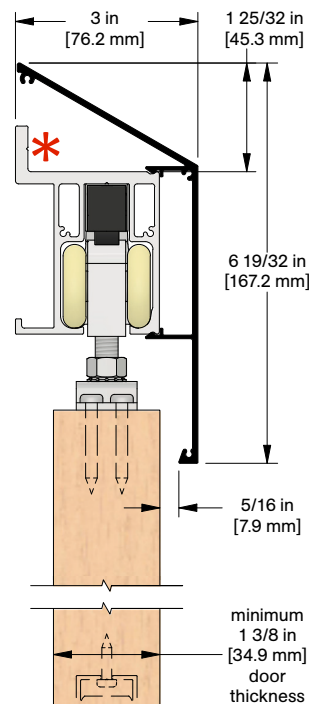


PRODUCT DIMENSIONS

* Indicates mounting flange on CC-908 Track



Optional CC-990 Snap-on Fascia, illustrated as solid black profile



Installation Instructions



Customer Name

Job No./Name

Date

Provided By

Notes