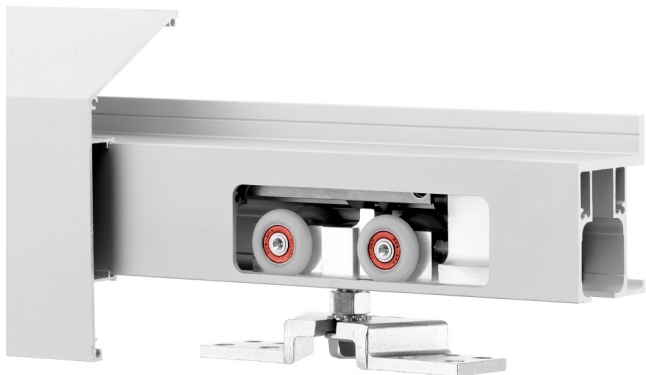


# CCSSF-998

**KNC**  
Catch 'N' Close



## FEATURES

- 300 lbs. [136 kg] weight capacity
- Effortless opening and closing of the door with the Catch 'N' Close Closing System (for doors wider than 20 in [508 mm])
- Easy Connect Hanger System for easy installation
- Nylon wheels and precision ball bearings provide smooth and quiet door operation
- Cycle tested for up to 150,000 cycles without fail
- ADA Compliant (Barrier-free) design
- Available in clear or black anodized, mill finish or powder coated

## COMPLETE 1 DOOR KIT BREAKDOWN



### 1 - CC-908 Side Mount Track

x length based on kit size (e.g. 72 in [1829 mm] kit for 36 in [914 mm] wide door)



### 1 - CC-990 Sloped Fascia

x length based on required size



### 1 - CC-991 End Cap Pair

complete with screws



### 2 - CC-998 Heavy-Duty Easy Connect Catch 'N' Close Hangers

complete with screws and adjustment tools



### 2 - CC-101HD Catch 'N' Close In-Track Stops

complete with set screws for friction fit



### 2 - Catch 'N' Close Closing Devices

complete with screws

**CC-2** for doors up to 200 lbs. [90 kg]

**CC-3** for doors up to 300 lbs. [136 kg]



### 1 - C-914 Aluminum Guide Channel

x length based on kit size (e.g. 36 in [914 mm] guide channel for 72 in [1829 mm] kit)

### 1 - C-913 Floor Guide

complete with screws

## OPTIONAL

### Door Locks & Pulls



Customer Name

Job No./Name

Date

Provided By

Notes

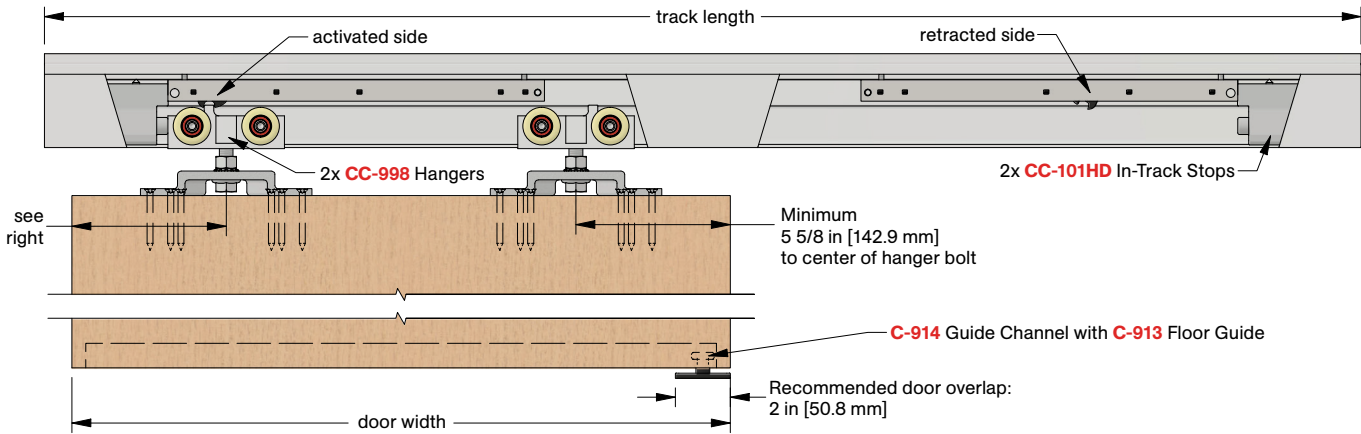
**KN Crowder**

1220 Burloak Drive, Burlington, Ontario, Canada, L7L 6B3

T. 1-866-999-1562 customerservice@kncrowder.com kncrowder.com

© 2020-2024 K.N. Crowder Mfg. Inc. All Rights Reserved.

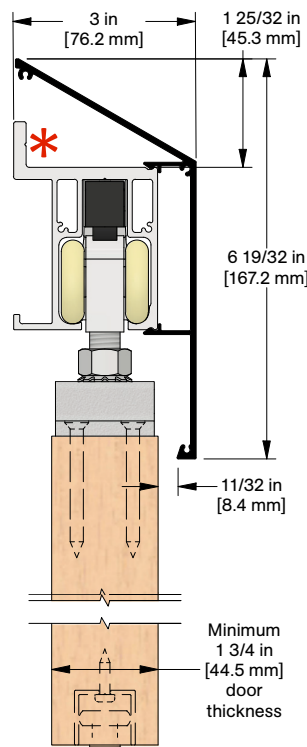
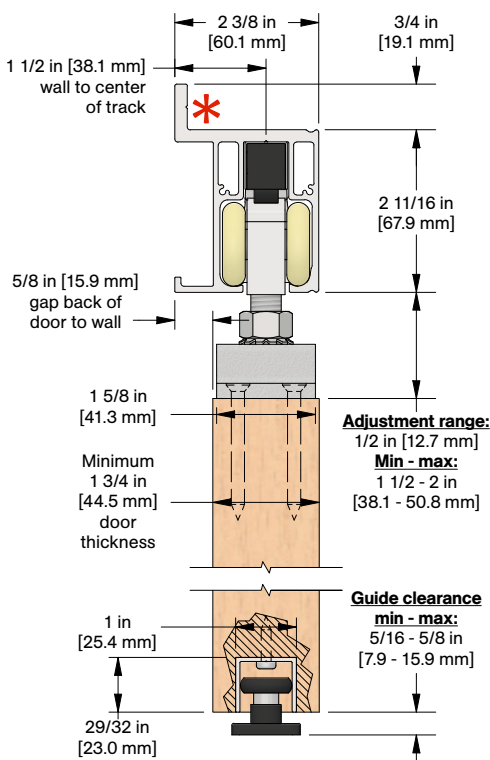
## COMPLETE ELEVATION VIEW



## PRODUCT DIMENSIONS

\* Indicates mounting flange on CC-908 Track

Optional CC-990 Snap-on Fascia, illustrated as solid black profile



Installation Instructions



Customer Name	Job No./Name	Date	Provided By

Notes