

CFT-202 STRAP MOUNT HANGER SLIDING DOOR KIT INSTRUCTION SHEET FOR 1-3/4" DOORS



PARTS LIST (FOR 1 DOOR KIT)

CFT-202 HANGER S/S (2)	CFT-202 FRONT SCREW (4)	CFT-220 SHOCK ABSORBING STOP (1 - LEFT & 1 - RIGHT)	CFT-222-WB WALL MOUNT BRACKET (*)	5/16"-18 X 3-1/2" FLAT HEAD SOCKET SCREW (*)
	CFT-202 BACK CLAMP (4)		EXPANSION SHIELD (*)	#10 X 1-1/2" FLATHEAD SCREWS (4)
		5/16"-18 X 3/4" LOW PROFILE HEAD SOCKET CAP SCREW (2)		
	CFT-102 ANTI-LIFT (2)	C-914 GUIDE CHANNEL (1 X DOOR WIDTH)	CFT-200 SOLID FLAT BAR TRACK (1 X KIT LENGTH)	C-913 FLOOR GUIDE (1)

LEGEND
 * - QUANTITY IS BASED ON KIT SIZE
 -72" KIT INCLUDES 5 SETS (SPACING: 8"[203.2] -14"[355.6] X 4 -8"[203.2])
 -84" KIT INCLUDES 6 SETS (SPACING: 7"[177.8] -14"[355.6] X 5 -7"[177.8])
 -96" KIT INCLUDES 6 SETS (SPACING: 8"[203.2] -16"[406.4] X 5 -8"[203.2])
 -108" KIT INCLUDES 7 SETS (SPACING: 6"[152.4] -16"[406.4] X 6 -6"[152.4])
 -120" KIT INCLUDES 8 SETS (SPACING: 7.5"[190.5] -15"[381] X 7 -7.5"[190.5])
 -144" KIT INCLUDES 9 SETS (SPACING: 8"[203.2] -16"[406.4] X 8 -8"[203.2])

SPECIFICATIONS:
 -LOAD CAPACITY: 350 LBS PER DOOR.
 -FOR SURFACE MOUNT/BARN STYLE APPLICATIONS.
 -NO HEIGHT ADJUSTMENT AVAILABLE ON HANGER
 -IDEAL FOR SOLID CORE DOORS 1-3/4" THICK

INSTALLATION INSTRUCTIONS

STEP 1
 DETERMINE OPENING SIZE, DOOR SIZE & WALL HEIGHT BASED ON DIMENSIONS SHOWN IN DETAIL VIEWS AND CLEARANCE REQUIRED BELOW DOOR. TRACK SHOULD BE AT LEAST TWO TIMES DOOR WIDTH. EXAMPLE: 36" DOOR REQUIRES 72" TRACK. TRACK LENGTHS ARE ONLY AVAILABLE IN PER FOOT INCREMENTS. **CFT SERIES TRACK MUST BE INSTALLED ONTO SOLID BACKING/SUPPORT (IN WALL).** [FOR DRYWALL/WOOD BACKING, SEE SEPARATE INSTRUCTION SHEET]

STEP 2
 ONCE DOOR SIZE HAS BEEN DETERMINED, CALCULATE THE DISTANCE FROM THE FINISHED FLOOR TO THE CENTER OF THE TRACK WITH THE FOLLOWING FORMULA: (NOTE: MINIMUM GROUND CLEARANCE IS 3/8" [9.5 mm], 1/2" [12.7 mm] IS USED FOR CALCULATION EXAMPLE. MINIMUM CLEARANCE FROM CENTER OF THE TRACK TO THE TOP OF THE DOOR IS 2" [50.8mm], 2-1/4" [57.2mm] IS USED FOR CALCULATION EXAMPLE.) DOOR HEIGHT (A) + 2-1/4" [57.2 mm] + MINIMUM 1/2" [12.7 mm] GROUND CLEARANCE (B) = DISTANCE TO CENTER OF TRACK. EXAMPLE FOR 84" [2134 mm] DOOR: 84" [2134 mm] (A) + 2-1/4" [57.2 mm] + 1/2" [12.7 mm] = 86-3/4" [2204 mm] FROM FINISHED FLOOR TO CENTER OF TRACK.

STOP: PLEASE REVIEW ANCHOR TYPE BEING USED BEFORE PROCEEDING. FOR WOOD ANCHORS, PLEASE REFER TO SEPARATE INSTRUCTION SHEET

STEP 3 (THIS STEP APPLIES TO EXPANSION SHIELD ONLY)
 MARK A HORIZONTAL LINE WITH A LEVEL ON WALL AT THE MEASUREMENT CALCULATED IN STEP 2. LOCATE TRACK ON WALL AND MARK HOLE LOCATIONS AS PER SPACING SHOWN IN THE LEGEND OR WITH TRACK. DRILL HOLE AT LEAST 2" DEEP AT THE LOCATIONS MARKED.

STEP 4 (THIS STEP APPLIES TO EXPANSION SHIELD ONLY)
 INSERT ONE EXPANSION SHIELD (SUPPLIED) INTO EACH HOLE. **NOTE: INSERT WITH THREADED END INTO THE HOLE FIRST.**

STEP 5
 PLACE ONE CFT-222-WB (WALL BRACKET) ON EACH HOLE ON THE BACK OF THE TRACK (COUNTERSUNK SIDE ON TRACK IS THE FRONT FACE) WHILE PUTTING ONE 5/16"-18 X 3-1/2" FLAT HEAD SOCKET SCREW THROUGH THE FRONT HOLE.

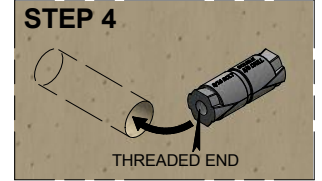
STEP 6
 LIFT TRACK UP TO WALL AND LOOSELY SCREW THE FLAT HEAD SOCKET SCREWS INTO THE EXPANSION SHIELDS PLACED IN STEP 4. SECURE TRACK TO WALL BY TIGHTENING FLAT HEAD SOCKET SCREWS. ENSURE THAT EXPANSION SHIELDS HAVE BEEN FULLY SEATED.

STEP 7
 PREPARE BOTTOM OF DOOR & INSTALL C-914 GUIDE CHANNEL. SEE OPTION #1 ON THE C-913/C-914 INSTRUCTION SHEET FOR MORE DETAILS.

STEP 8
 PREPARE THE DOOR FOR MOUNTING THE CFT-202 STRAP HANGERS. MINIMUM HOLE SIZE IN DOOR MUST BE 3/4" [19.1mm]. SEE DIMENSION DETAILS AND TEMPLATE ON THE RIGHT FOR HOLE LOCATION. HANGERS SHALL BE INSTALLED A MINIMUM 5" FROM THE CENTER OF THE HANGER TO THE EDGES OF THE DOOR. USE TWO SETS OF CFT-202 FRONT SCREW & BACK CLAMP TO SECURE HANGER TO DOOR.

STEP 9
 PLACE DOOR ONTO TRACK. THE FLAT IN THE GROOVE OF THE WHEEL SHOULD BE RESTING ON THE TOP OF THE FLAT BAR TRACK. INSTALL CFT-202 ANTI-LIFT ONTO CFT-202 HANGER WITH THE SUPPLIED 5/16"-18 X 3/4" LOW PROFILE HEAD SOCKET CAP SCREW WITH LOCTITE. **NOTE: THE "CFT-202 ANTI-LIFT" COMPONENT MUST BE INSTALLED AS THIS WILL PREVENT THE DOOR FROM LIFTING OFF THE TRACK. USE AN ALLEN KEY TO HOLD THE ANTI-LIFT (HOLE IN ANTI-LIFT) WHILE TIGHTENING THE SOCKET CAP SCREW.**

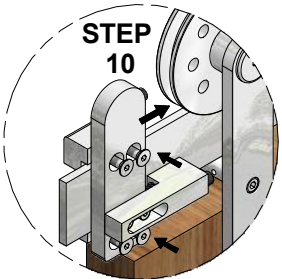
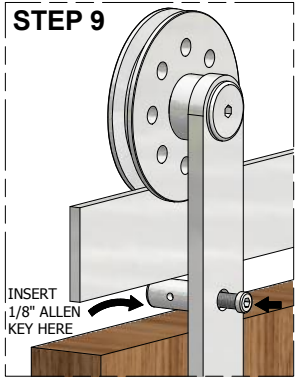
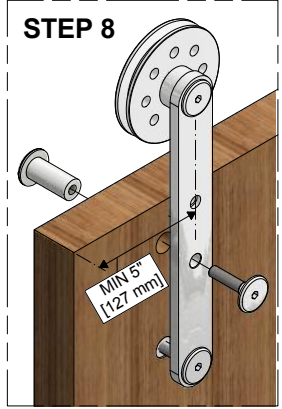
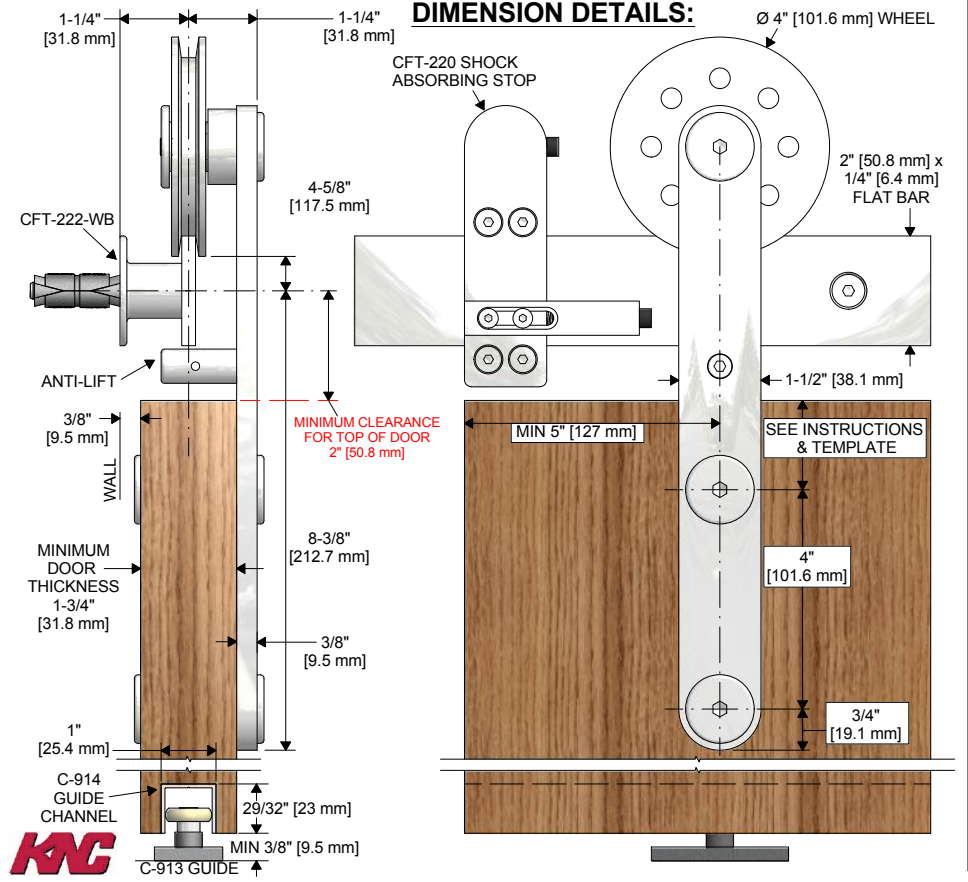
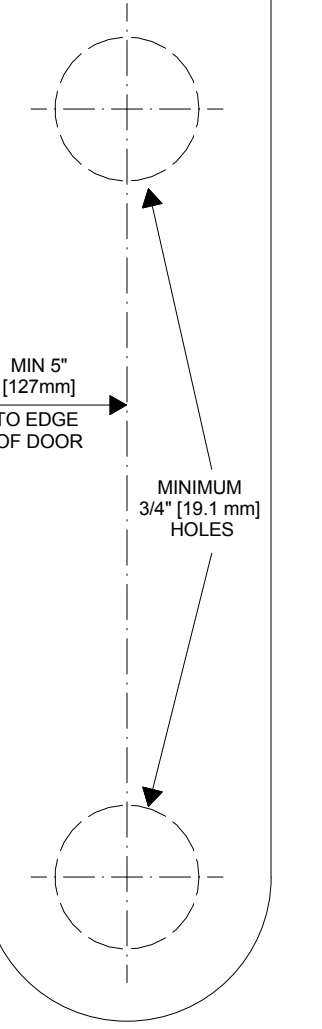
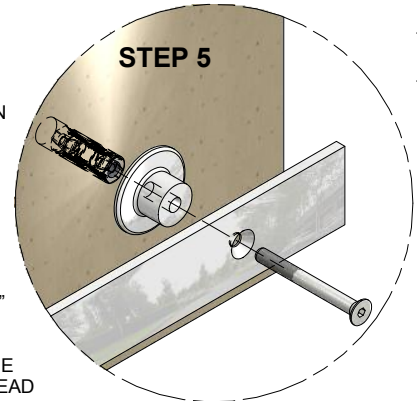
STEP 10
 INSTALL CFT-220 SHOCK ABSORBING STOPS FROM THE END OF THE TRACK. LOOSEN THE SCREWS HOLDING THE CLAMP TOGETHER TO ALLOW YOU TO SLIDE IT ONTO THE TRACK FROM THE ENDS. THERE IS ONE LEFT AND ONE RIGHT STOP FOR EACH DOOR. LOCATE THE STOPS AS REQUIRED TO LIMIT THE SLIDING DISTANCE OF THE DOOR AND SECURE THE STOP CLAMP TO THE TRACK WITH THE FOUR SCREWS. **NOTE: THE "CFT-220 STOPS" MUST BE INSTALLED AS THIS WILL PREVENT THE DOOR FROM RUNNING OFF THE TRACK AND PROVIDE THE REQUIRED STOPPING FORCE FOR THE DOOR(S).**



MINIMUM DISTANCE WITH 2" CLEARANCE FROM TOP OF DOOR TO CENTER OF TRACK

MINIMUM DISTANCE WITH 2-1/4" CLEARANCE FROM TOP OF DOOR TO CENTER OF TRACK

MINIMUM DISTANCE WITH 2-1/2" CLEARANCE FROM TOP OF DOOR TO CENTER OF TRACK



K.N. CROWDER MFG. INC.
 1220 BURLOAK DRIVE
 BURLINGTON, ONTARIO, CANADA, L7L 6B3
 TELEPHONE: 905-315-9788 - FAX: 905-315-8090
 TOLL FREE FAX: 1-800-567-0123
 WEBSITE: www.kncrowder.com -- E-MAIL: customerservice@kncrowder.com

K.N. CROWDER INC.
 210 EIGHTH STREET SOUTH
 LEWISTON, NEW YORK, U.S.A. 14092
 TELEPHONE: 1-716-754-8247
 TOLL FREE FAX: 1-800-567-0123

CRFT-DS DRYWALL SPACER

INSTRUCTION SHEET



NEW PARTS SUPPLIED IN CRT & CFT SERIES KITS



CRFT-DS Ø1-5/8" X 1/2" ALUMINUM DRYWALL SPACER (X)
(SEE RESPECTIVE PRODUCT INSTRUCTION SHEETS FOR QUANTITY)

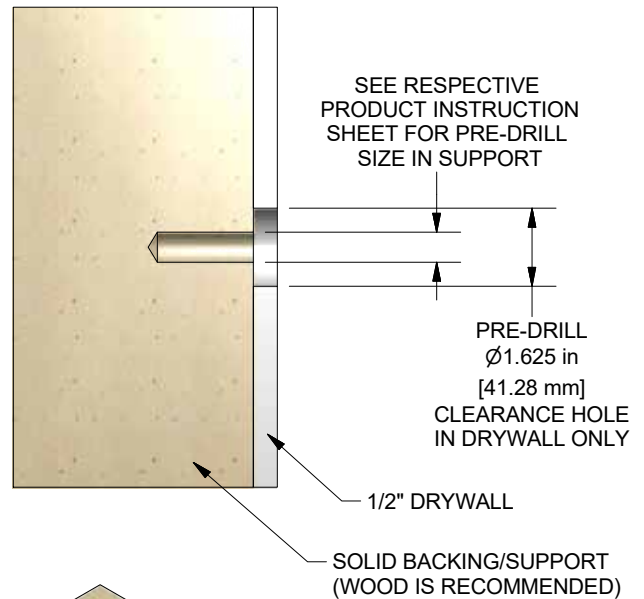
SUPPLIED WITH 1/2" ALUMINUM SPACER AND 1/8" STEEL SPACER TO ADD FOR 5/8" DRYWALL

REVISED STEPS:

AFTER MARKING A HORIZONTAL LINE WITH A LEVEL ON THE WALL AT THE MEASUREMENT AS PER THE RESPECTIVE PRODUCT INSTRUCTION SHEETS, LOCATE TRACK ON WALL AND MARK HOLE LOCATIONS AS PER THE SPACING STANDARDS BASED ON TRACK LENGTHS FOUND IN CHART A ON THE TEMPLATE SHEET OR WITH THE TRACK ON SITE.

ONCE THE HOLE LOCATIONS ARE MARKED, PRE-DRILL HOLES INTO THE WOOD SUPPORT AS REQUIRED ON THE RESPECTIVE PRODUCT INSTRUCTION SHEETS.

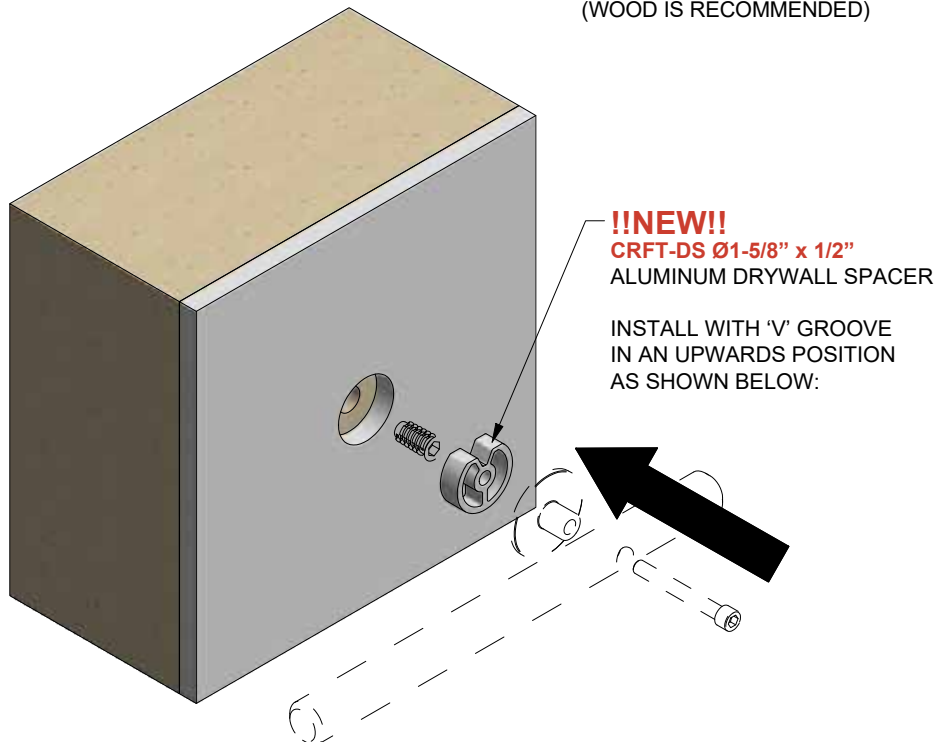
IF THERE IS DRYWALL PRESENT, PRE-DRILL A Ø1-5/8 in [41.3 mm] CLEARANCE HOLE IN THE DRYWALL PORTION OF THE HOLES ONLY. SEE ILLUSTRATIONS SHOWN TO THE RIGHT FOR ASSISTANCE.



REVISED STEPS:

INSTALL TRACK ONTO WALL WITH THE NECESSARY COMPONENTS AND IN THE ORDER AS SHOWN ON THE RESPECTIVE PRODUCT INSTRUCTION SHEETS. THE ILLUSTRATIONS TO THE RIGHT IS BASED ON DRYWALL APPLICATION. **NOTE: ENSURE TRACK IS LEVELED AND FULLY SECURED TO THE SUPPORT.**

INSTALL THE CRFT-DS DRYWALL SPACERS WITH THE "V" GROOVE IN AN UPWARDS POSITION AS PER THE ILLUSTRATION TO THE RIGHT.



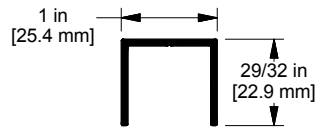
A PRODUCT OF K.N. CROWDER MFG. INC

C-913/C-913-2 SERIES GUIDE SYSTEMS

INSTRUCTION SHEET

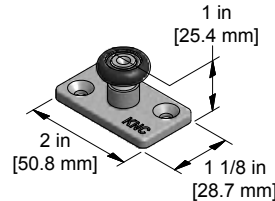
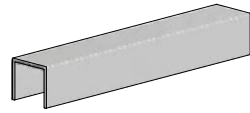


AVAILABLE PARTS FOR C-913/C-913-2 GUIDE SYSTEMS



C-914 GUIDE CHANNEL X LENGTH

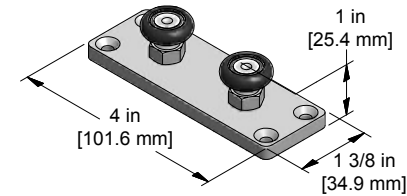
(FOR GUIDE CHANNEL RECESSED INTO BOTTOM OF DOOR, LENGTH = DOOR WIDTH, EXAMPLE: 36" [914MM] DOOR = 36" [914MM] GUIDE CHANNEL)
 (FOR GUIDE CHANNEL MOUNTED IN FLOOR, LENGTH = OPENING WIDTH + POCKET IF APPLICABLE, EXAMPLE: TWO 36" [914 MM] DOORS IN A BY-PASSING APPLICATION WILL REQUIRE TWO 72" [1828 MM] LONG GUIDE CHANNELS TO FILL OPENING.)



C-913 GUIDE



#10 X 1-3/4" FLAT HEAD SCREWS
(2 SUPPLIED PER C-913 GUIDE)



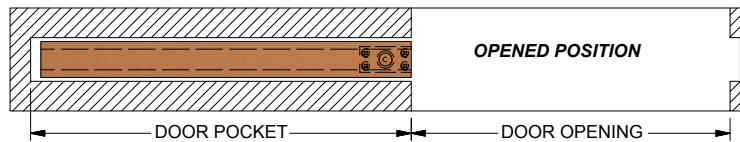
C-913-2 DOUBLE ROLLER GUIDE



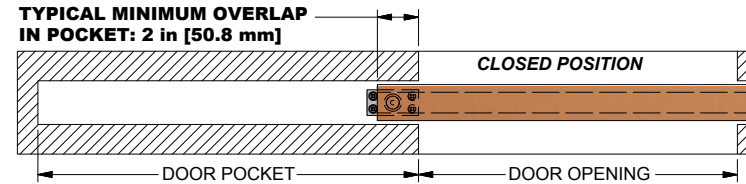
#10 X 1-3/4" FLAT HEAD SCREWS
(4 SUPPLIED PER C-913-2 DOUBLE ROLLER GUIDE)

TYPICAL INSTALLATION LOCATION FOR FLOOR GUIDES: POCKET DOOR APPLICATION

GUIDE CHANNEL IN DOOR WITH GUIDE ON FLOOR FOR POCKET DOOR APPLICATIONS ILLUSTRATED BELOW:

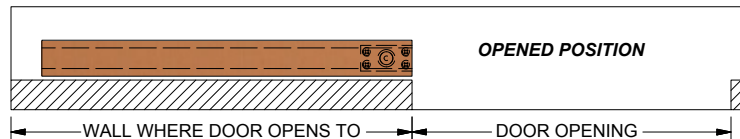


TYPICAL MINIMUM OVERLAP IN POCKET: 2 in [50.8 mm]

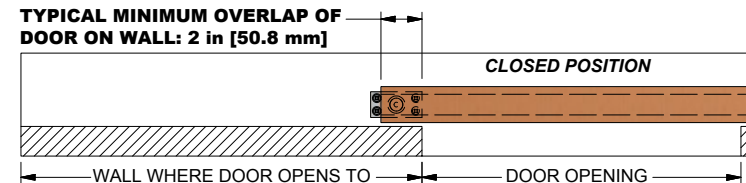


TYPICAL INSTALLATION LOCATION FOR FLOOR GUIDES: BARN DOOR APPLICATION

GUIDE CHANNEL IN DOOR WITH GUIDE ON FLOOR FOR BARN DOOR APPLICATIONS ILLUSTRATED BELOW:



TYPICAL MINIMUM OVERLAP OF DOOR ON WALL: 2 in [50.8 mm]



NOTE: IF USING THE C-913-2 DOUBLE ROLLER GUIDE, THE TYPICAL MINIMUM OVERLAP IS 4 in [101.6 mm]

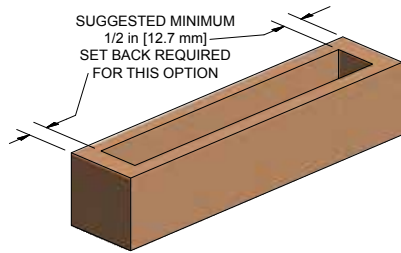
A PRODUCT OF K.N. CROWDER MFG. INC.

GUIDE SYSTEM INSTALLATION OPTION #1: GUIDE CHANNEL IN DOOR WITH GUIDE ON FLOOR

STEP #1:

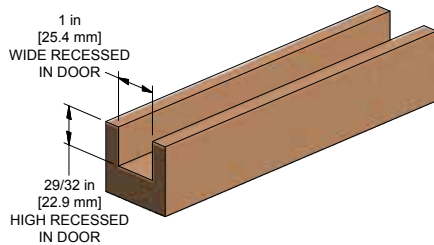
PREPARE BOTTOM OF DOOR ACCORDINGLY.

AESTHETIC NOTE: IF SUFFICIENT OVERLAP OF THE DOOR IS PROVIDED, GUIDE CHANNEL CAN BE RECESSED INTO THE DOOR WITHOUT CUTTING A SLOT THE FULL LENGTH OF THE DOOR. IF GUIDE CHANNEL WILL BE INSTALLED SHORT FROM THE EDGES, IT IS RECOMMENDED TO HAVE AT LEAST 1/2 in [12.7 mm] DOOR MATERIAL AT EACH END OF THE DOOR BEFORE THE START OF THE GUIDE CHANNEL SLOT.



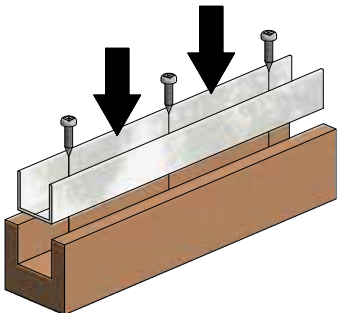
STEP #1 CONT'D

PREPARE C-914 GUIDE CHANNEL SLOT IN DOOR AT LEAST 1 in [25.4 mm] WIDE IN CENTER OF DOOR, AND AT LEAST 29/32 in [23 mm] DEEP. IT IS RECOMMENDED TO MAKE THE SLOT AS ACCURATE AS POSSIBLE FOR SECURE FIT AND NEAT APPEARANCE. SEE BELOW:



STEP #2

CUT C-914 ALUMINUM GUIDE CHANNEL TO CORRECT LENGTH AS REQUIRED. DRILL HOLES IN C-914 GUIDE CHANNEL AND PRE-DRILL HOLES IN DOOR. LOCATE CHANNEL IN SLOT PREVIOUSLY PREPARED ABOVE AND SCREW CHANNEL INTO PLACE WITH RECOMMENDED #8 X 3/4" PAN HEAD SCREWS (BY OTHERS).



STEP #3

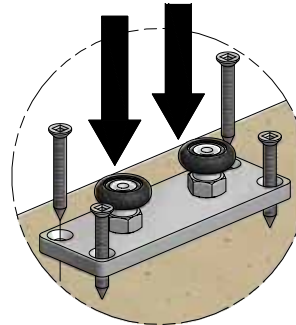
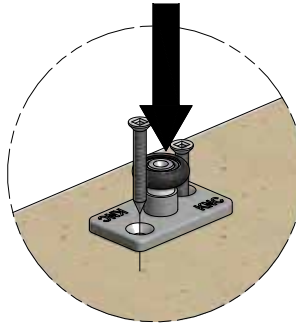
LOCATE C-913 GUIDE AS PER REQUIREMENT BASED ON THE SUGGESTIONS FOUND ON OPPOSITE SIDE AND SITE CONDITIONS AND SECURE TO FLOOR WITH #10 X 1-3/4" FLAT HEAD SCREWS (2).

OR

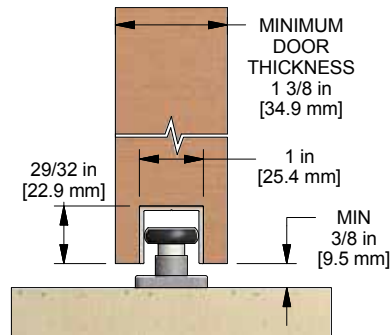
LOCATE C-913-2 DOUBLE ROLLER GUIDE AS PER REQUIREMENT BASED ON THE SUGGESTIONS FOUND ON OPPOSITE SIDE AND SITE CONDITIONS AND SECURE TO FLOOR WITH #10 X 1-3/4" FLAT HEAD SCREWS (4).

STEP #4

CONTINUE WITH PROJECT BY INSTALLING HANGERS AND PLACING DOOR INTO POSITION AS REQUIRED.



EXAMPLE OF FINISHED SET-UP SHOWN WITH DOOR



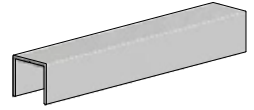
GUIDE SYSTEM INSTALLATION OPTION #2: GUIDE CHANNEL IN FLOOR WITH GUIDE(S) ON DOOR

STEP #1:

PREPARE SLOT IN FLOOR FOR C-914 GUIDE CHANNEL RECESSED IN FLOOR AS PER DIMENSION DETAILS ON OPPOSITE SIDE. GUIDE CHANNEL SHOULD BE FLUSH WITH FINISHED FLOOR.

STEP #2:

CUT C-914 GUIDE CHANNEL TO REQUIRED LENGTH FOR APPLICATION IF NECESSARY. PRE-DRILL HOLES INTO THE EXTRUSION. IT IS RECOMMENDED TO PRE-DRILL THE FLOOR WITH A SMALLER DRILL BIT THAN THE SCREW DIAMETER.



STEP #3:

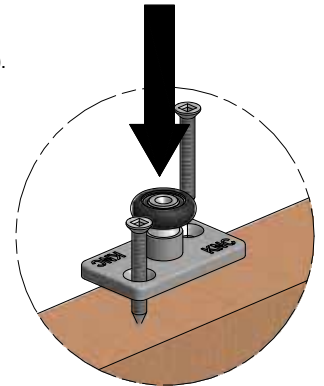
POSITION C-914 GUIDE CHANNEL IN FLOOR SLOT AND SECURE WITH RECOMMENDED #8 PAN HEADS OR FLAT HEAD SCREWS (BY OTHERS).

STEP #4:

LOCATE C-913 GUIDE AT LEAST 2 in [50.8 mm] FROM EACH EDGE OF THE DOOR. (IT IS RECOMMENDED TO USE TWO GUIDES PER DOOR FOR APPLICATIONS WITH GUIDE CHANNEL RECESSED IN FLOOR).

STEP #5:

SECURE GUIDES TO DOOR WITH #10 X 1-3/4" FLAT HEAD SCREWS (2). IT IS RECOMMENDED TO PRE-DRILL PILOT HOLES FOR THE SCREWS BEFORE SECURING GUIDES TO DOOR.



STEP #6

CONTINUE WITH PROJECT BY INSTALLING HANGERS AND PLACING DOOR INTO POSITION AS REQUIRED.

EXAMPLE OF FINISHED SET-UP SHOWN WITH DOOR

