

CFT-203-12-BP



FEATURES

- 600 lbs. [272 kg] weight capacity
- Delrin wheels and precision ball bearings provide smooth and quiet door operation
- Cycle tested for up to 150,000 cycles without fail
- ADA Compliant (Barrier-free) design
- Also available in stainless steel (CFT-203-12-SS)
- For 1/2 in [12 mm] thick glass door

COMPLETE 1 DOOR KIT BREAKDOWN



1 - CFT-200-BP Flat Track

x length based on kit size (e.g. 72 in [1829 mm] kit for 36 in [914 mm] wide door)



CFT-211-WB-BP Wall Mount Brackets

quantity dependent on track length
complete with 5/16-18 flat head socket lag screws and expansion shields



CFT-203-BP Strap Mount Hangers

complete with anti-lift and custom mounting screws

2 hangers for doors up to 300 lbs. [136 kg]

3 hangers for doors up to 450 lbs. [204 kg]

4 hangers for doors up to 600 lbs. [272 kg]



2 - CFT-210-BP Shock Absorbing Stops

clamp around flat track



1 - CGGS-012-BP Stationary Glass Guide

complete with screws

OPTIONAL

Door Locks & Pulls



Notes:

Baseboard/trim thickness, if applicable

Customer Name

Job No./Name

Date

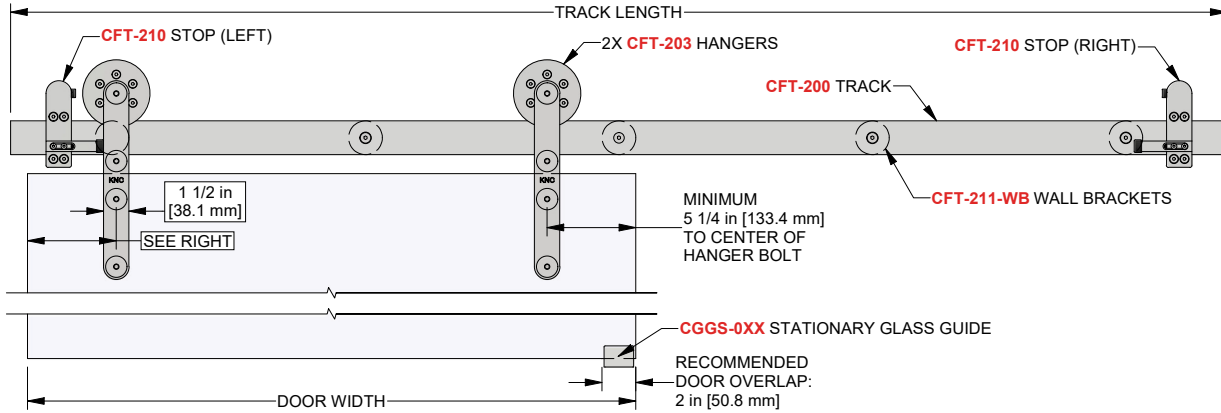
Provided By

Notes

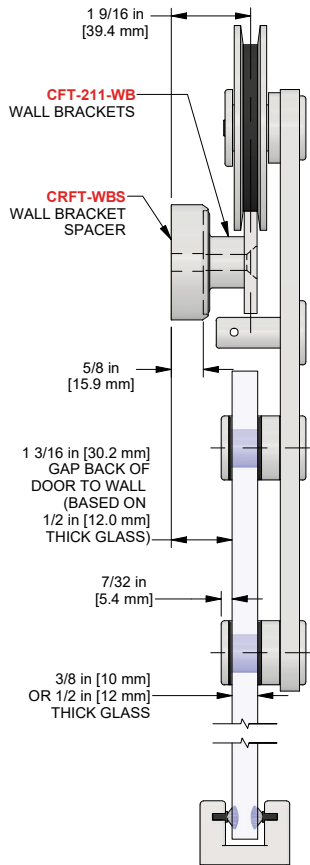
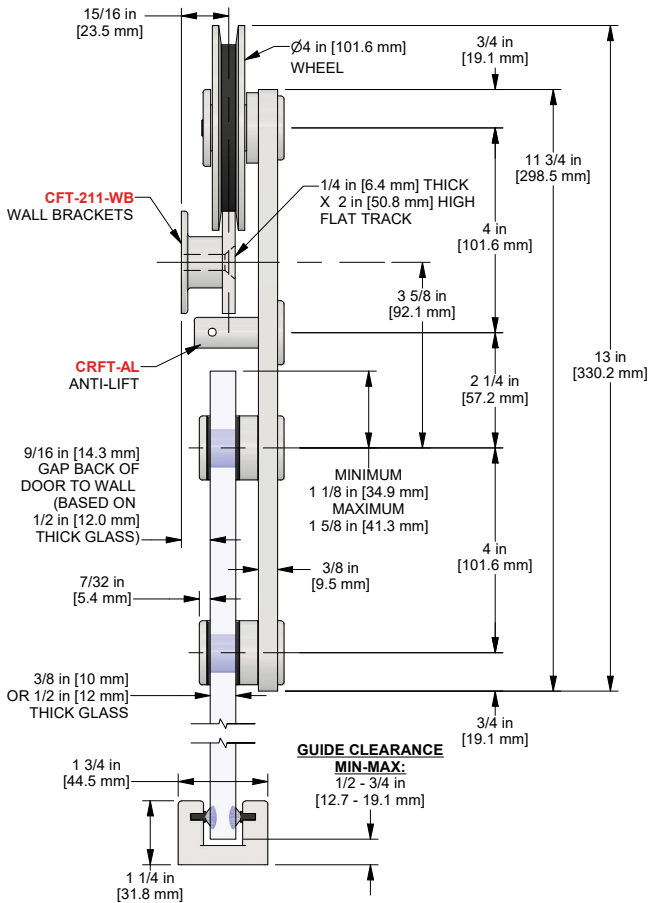
CFT-203-12-BP



COMPLETE ELEVATION VIEW



PRODUCT DIMENSIONS



Installation Instructions



Customer Name	Job No./Name	Date	Provided By

Notes