

CFT-203-38-CC-SS



FEATURES

- 300 lbs. [136 kg] weight capacity
- Effortless opening and closing of the door with the Catch 'N' Close Closing System (for doors wider than 30 in [762 mm])
- Delrin wheels and precision ball bearings provide smooth and quiet door operation
- Cycle tested for up to 150,000 cycles without fail
- ADA Compliant (Barrier-free) design
- Also available in black (CFT-203-38-CC-BP)
- For 3/8 in [10 mm] thick glass door

COMPLETE 1 DOOR KIT BREAKDOWN



1 - CFT-200-SS Flat Track

x length based on kit size (e.g. 72 in [1829 mm] kit for 36 in [914 mm] wide door)



CFT-222-WB-SS Wall Mount Brackets

quantity dependent on track length
complete with 5/16-18 flat head socket lag screws and expansion shields



2 - CFT-203-SS Strap Mount Hangers

complete with anti-lift and custom mounting screws



2 - CFT-210-SS Shock Absorbing Stops

clamp around flat track



1 - CFT-200-CC-SS Catch 'N' Close 1 Door Hardware

complete with mounting bar, closing devices, anti-lift triggers and shorter wall mount brackets

CC-75 for doors up to 75 lbs. [34 kg]

CC-1 for doors up to 150 lbs. [68 kg]

CC-2 for doors up to 200 lbs. [90 kg]

CC-3 for doors up to 300 lbs. [136 kg]



1 - CGGS-038 Stationary Glass Guide

complete with screws

OPTIONAL

Door Locks & Pulls



Notes:

Baseboard/trim thickness, if applicable

Customer Name

Job No./Name

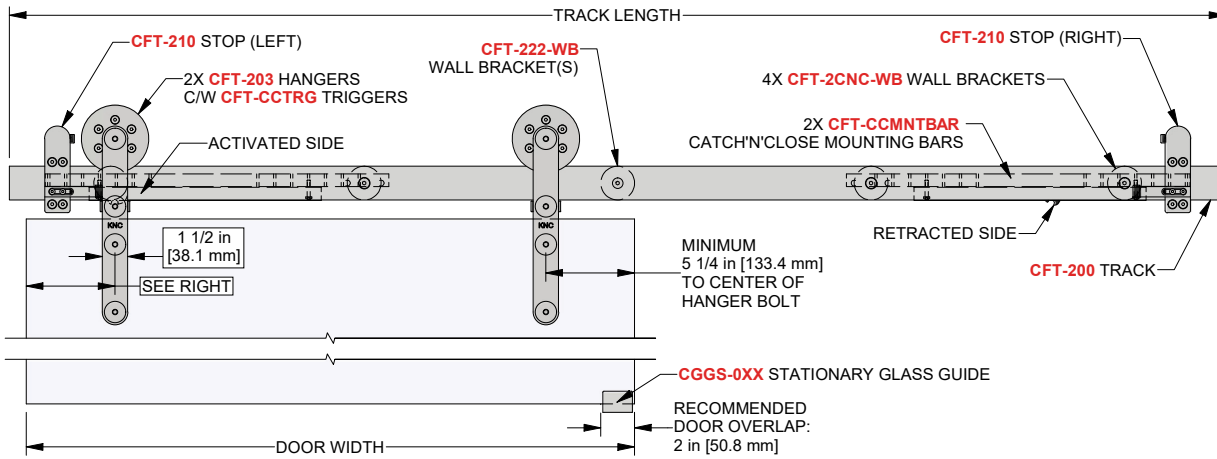
Date

Provided By

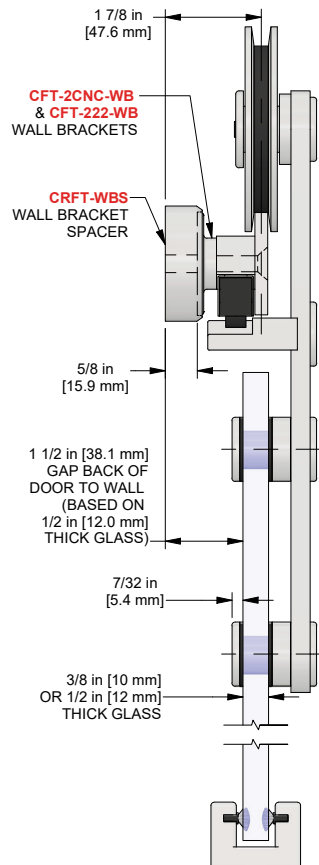
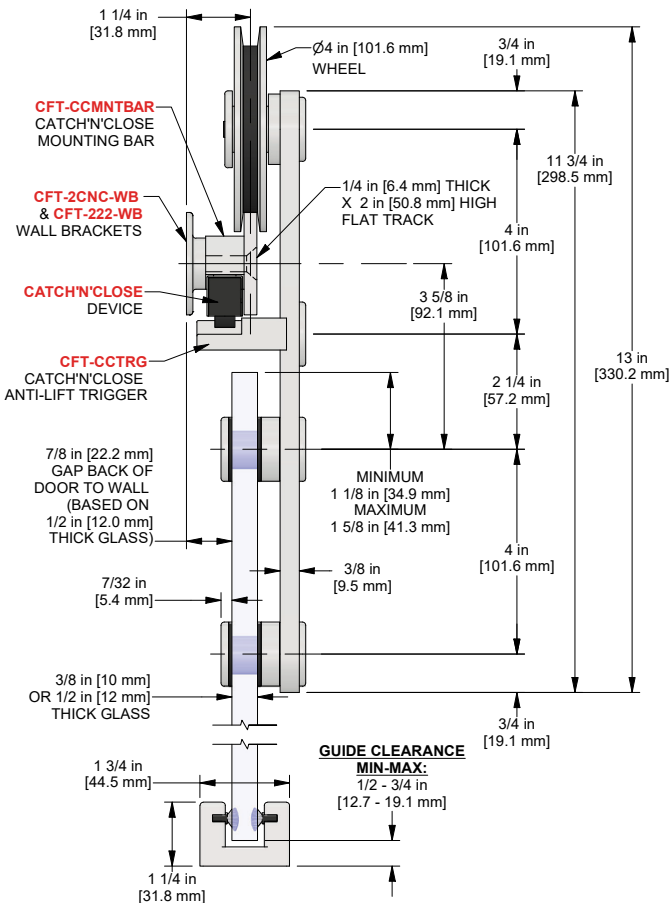
Notes

CFT-203-38-CC-SS

COMPLETE ELEVATION VIEW



PRODUCT DIMENSIONS



Installation
Instructions



Customer Name

Job No./Name

Date

Provided By

Notes