

CFT-FSP

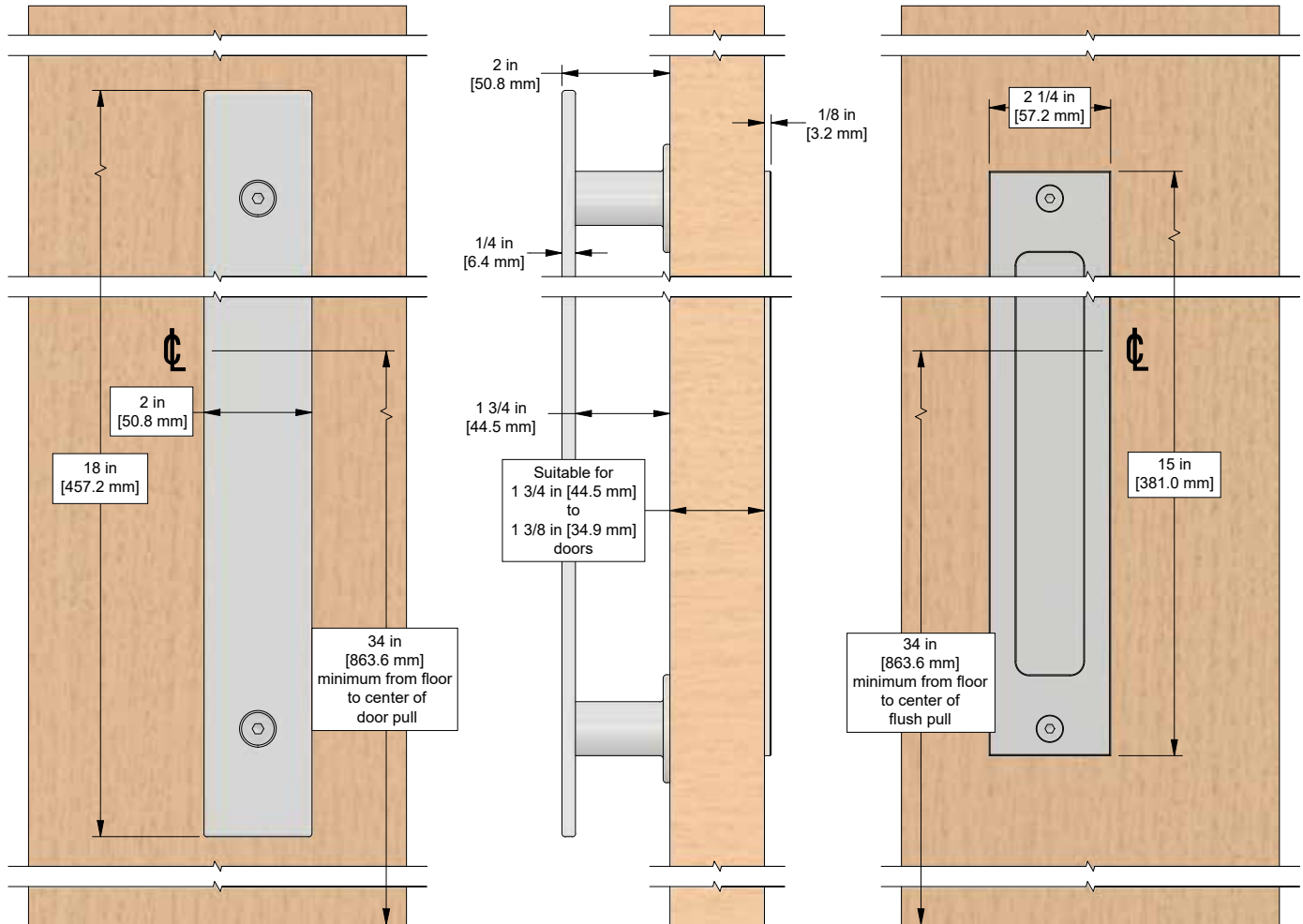
Back-to-Back Flat Bar Door Pull + Flush Pull Set

Installation Instructions

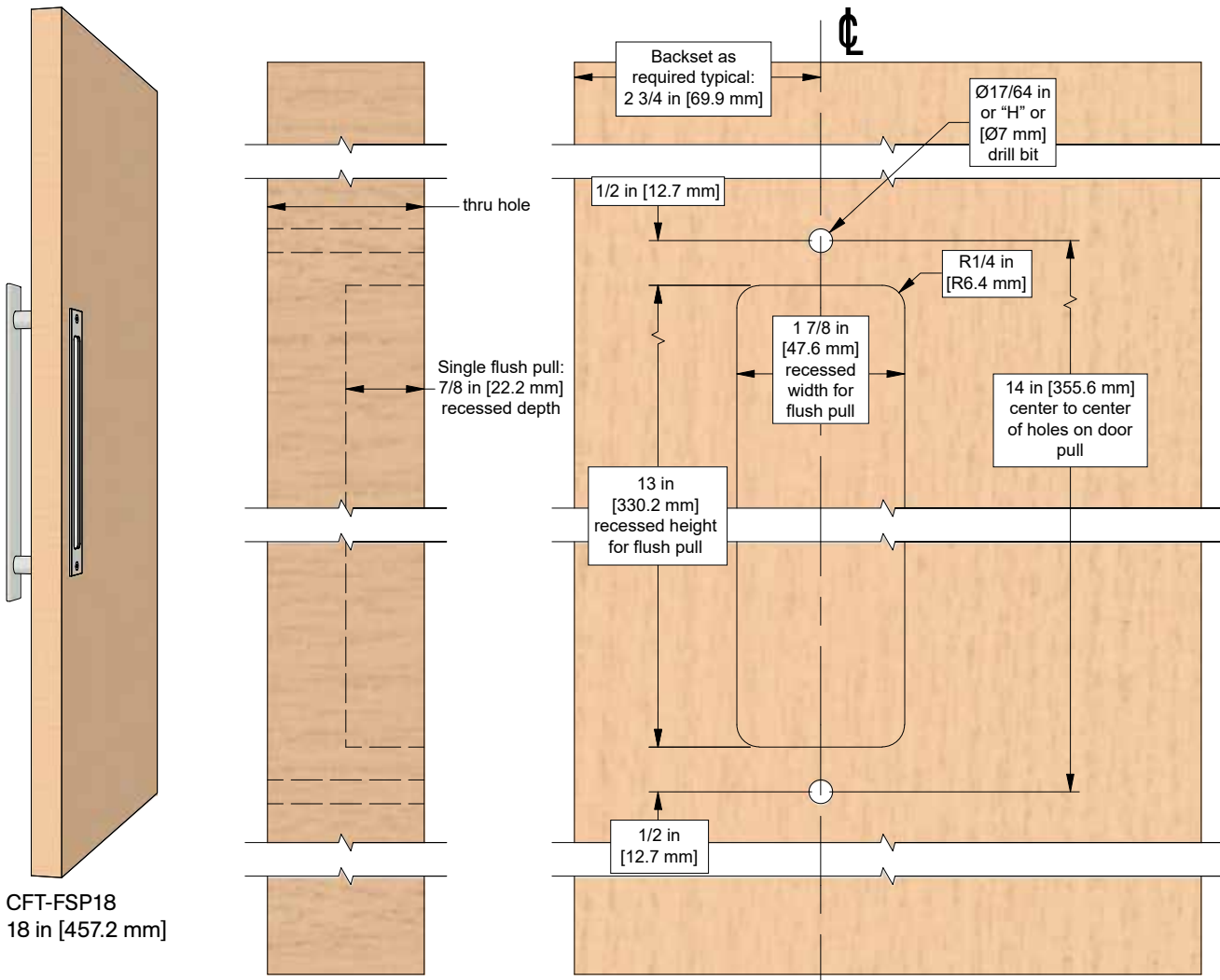
Suitable for 1 3/8 in [34.9 mm] to 1 3/4 in [44.5 mm] doors

With 2 in [50.8 mm] x 18 in [457.2 mm] flat bar door pull and 2 1/4 in [57.2 mm] x 15 in [381.0 mm] flush pull

Product Dimension Details

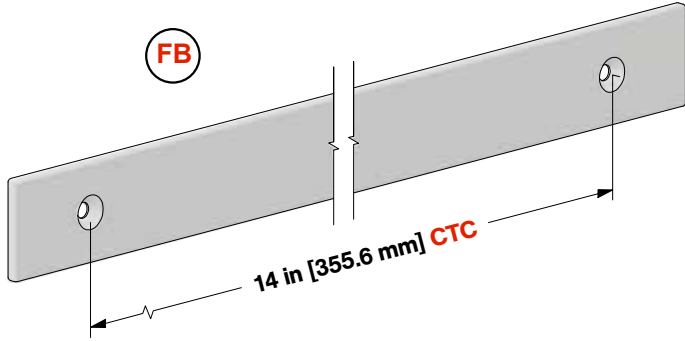


Door Prep Details

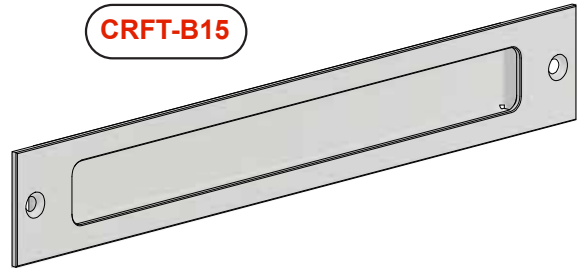


CFT-FSP18
18 in [457.2 mm]

Parts List



CFT-FBDP Flat Bar Door Pull (1)
2 in [50.8 mm] x 18 in [457.2 mm] flat bar



CRFT-B15 (1)
2 1/4 in [57.2 mm] x 15 in [381.0 mm]
flush pull



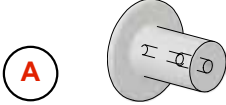
FC
5/16-18 x 3/4" Flat Head
Socket Cap Screw (2)



FC212
1/4-20 x 2-1/2" Flat Head
Socket Cap Screw (2)



CRFT-FSPSCREW2
1/4-20 x 3" Flat Head Socket Cap Screw (2)
**(optional add-on for doors greater
than 1 3/4 in [44.5 mm] up to 2 1/4 in
[57.2 mm] doors)**



A
CFT-DPB-A (2)
Door pull bracket Type A, threaded hole
both ends

Assembly

