

# CFT-GDP[ ] FLAT BAR BACK-TO-BACK GLASS DOOR HANDLE PULLS

## INSTRUCTION SHEET

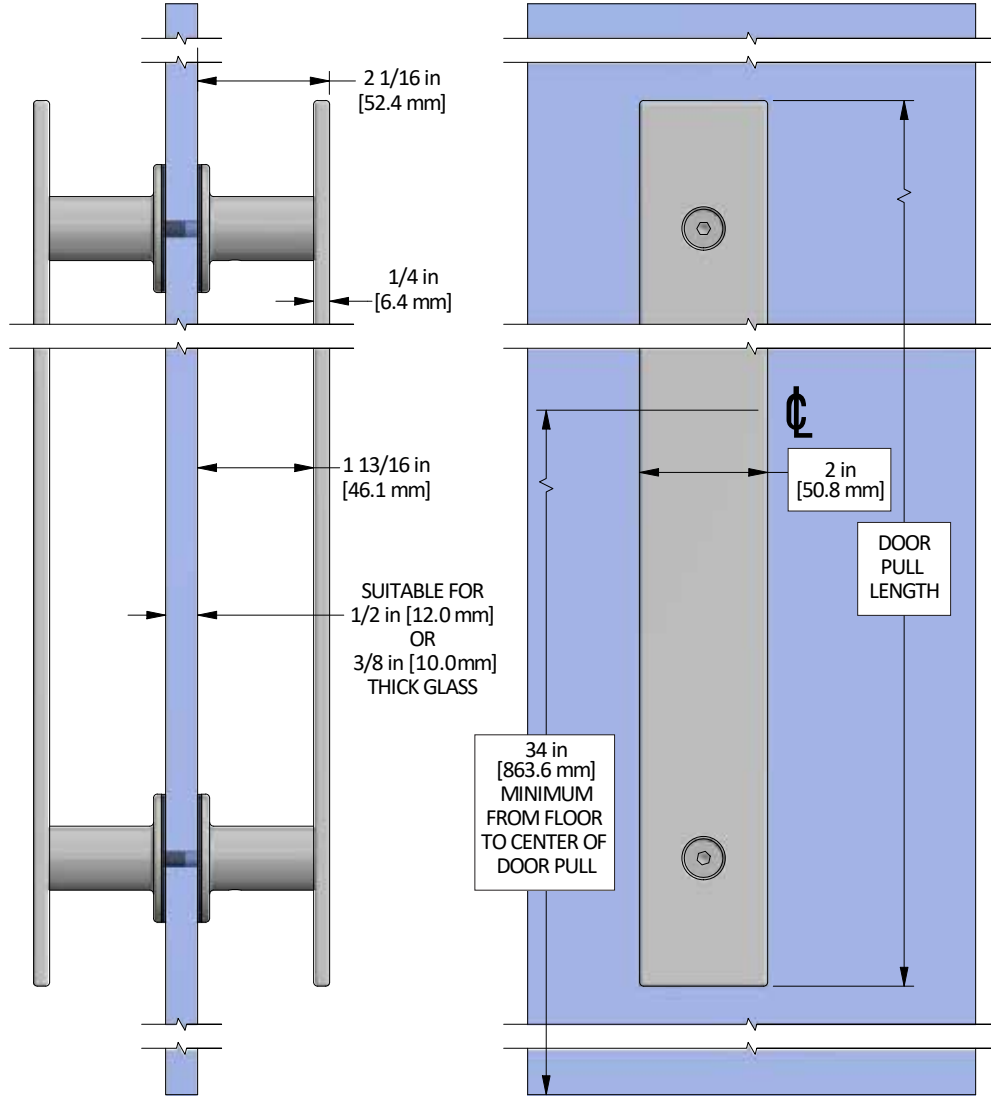


K.N.CROWDER MFG. INC.

- SUITABLE FOR 3/8 in [10.0 mm] TO 1/2 in [12.0 mm] THICK GLASS DOORS
- AVAILABLE IN 18 in [457 mm] AND 36 in [914 mm] LONG DOOR HANDLE PULLS

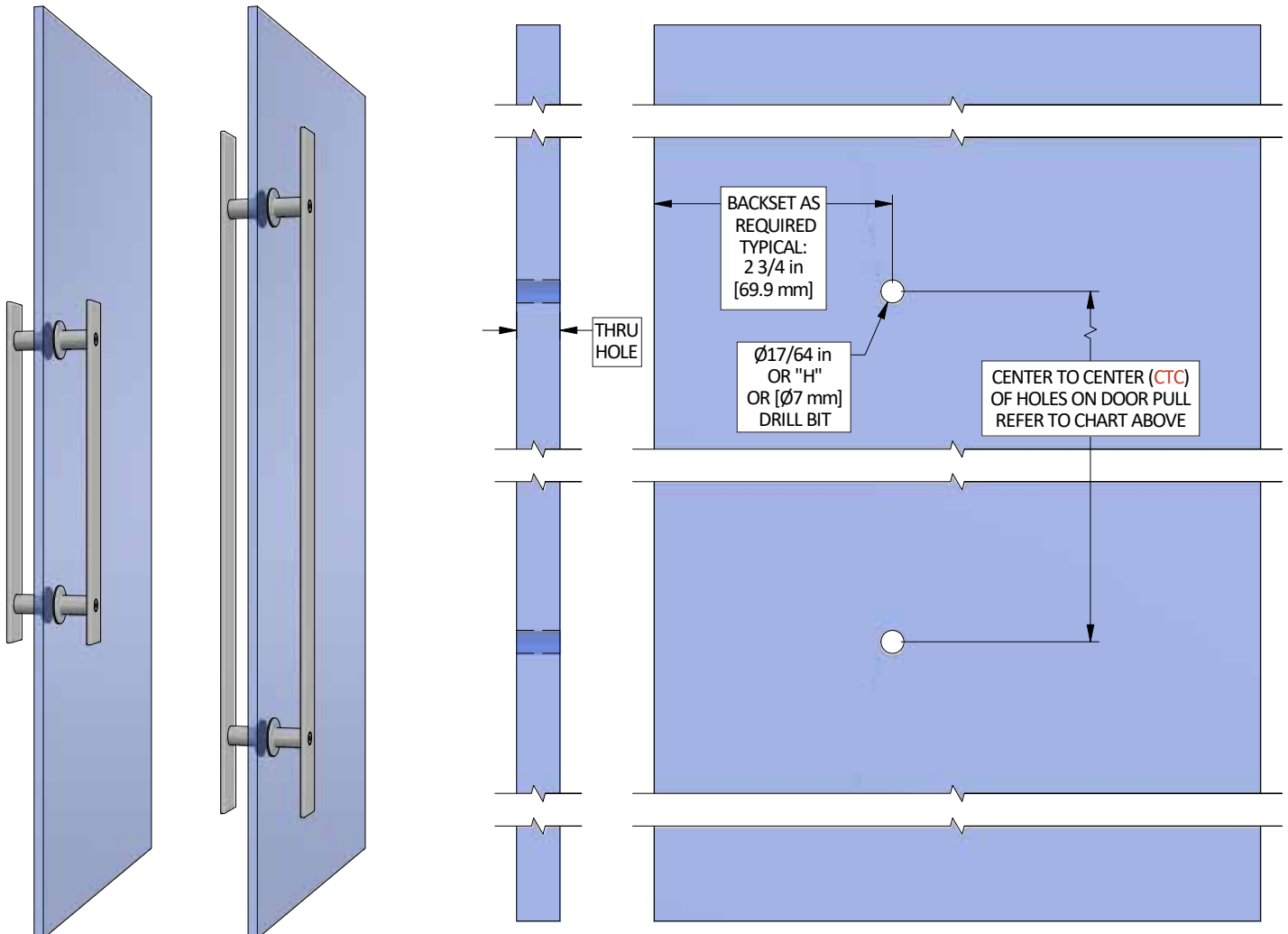
| CENTER TO CENTER HOLE SPACING FOR DOOR PULLS |  |              |                |     |
|--|--|--------------|----------------|-----|
| OVERALL PULL LENGTH                          |  | NO. OF HOLES | DIMENSION      | CTC |
| 18 in [457 mm]                               |  | 2            | 14 in [356 mm] |     |
| 36 in [914 mm]                               |  | 2            | 28 in [711 mm] |     |

### PRODUCT DIMENSION DETAILS



CFT-GDP18 (18 in [457 mm]) SHOWN ON LEFT  
CFT-GDP36 (36 in [914 mm]) SHOWN ON RIGHT

### DOOR PREP DETAILS

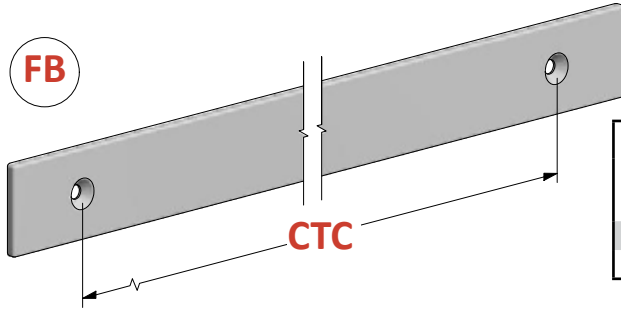


# CFT-GDP[ ] FLAT BAR BACK-TO-BACK GLASS DOOR HANDLE PULLS

INSTRUCTION SHEET



## PARTS LIST



CFT-FBDP-[DOOR PULL LENGTH]  
 FLAT BAR DOOR PULL (2)  
 (DOOR PULL LENGTH, SEE CHART BELOW)

| CENTER TO CENTER HOLE SPACING FOR DOOR PULLS |  |              |               |          |
|--|--|--------------|---------------|----------|
| OVERALL PULL LENGTH                          |  | NO. OF HOLES | DIMENSION CTC |          |
| 18 in [457 mm]                               |  | 2            | 14 in         | [356 mm] |
| 36 in [914 mm]                               |  | 2            | 28 in         | [711 mm] |

**FC**



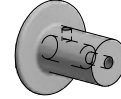
5/16-18 X 3/4" FLAT HEAD SOCKET CAP SCREW (4)

**OR**



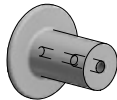
CRFT-GWIR RUBBER O-RING (4)

**B**



CFT-DPB-B (2)  
 (DOOR PULL BRACKET TYPE "B",  
 THREADED HOLE ONE END,  
 CLEARANCE HOLE OPPOSITE END)

**A**



CFT-DPB-A (2)  
 (DOOR PULL BRACKET TYPE "A",  
 THREADED HOLE BOTH ENDS)

**GDS**



CRFT-GDPSCREW (2)  
 (CUSTOM GLASS DOOR PULL  
 SCREWS, HEX DRIVE ONE END,  
 1/4-20 THREAD OPPOSITE END)

**SS**



1/4-20 X 3/16" CUP POINT SOCKET SET SCREW (2)

## ASSEMBLY

