

CFT-GSP[] FLAT BAR SINGLE GLASS DOOR HANDLE PULLS

INSTRUCTION SHEET

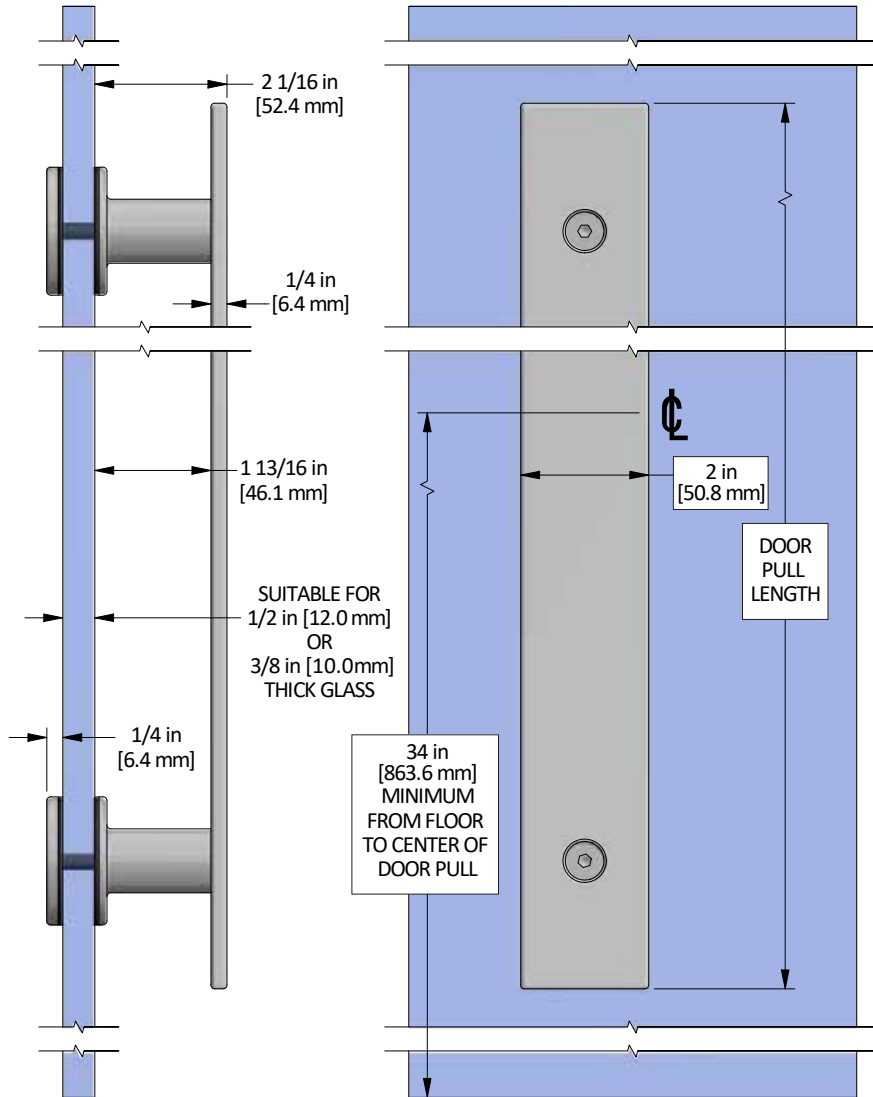


K.N.CROWDER MFG. INC.

- SUITABLE FOR 3/8 in [10.0 mm] TO 1/2 in [12.0 mm] THICK DOORS
- AVAILABLE IN 18 in [457 mm] AND 36 in [914 mm] LONG DOOR HANDLE PULLS

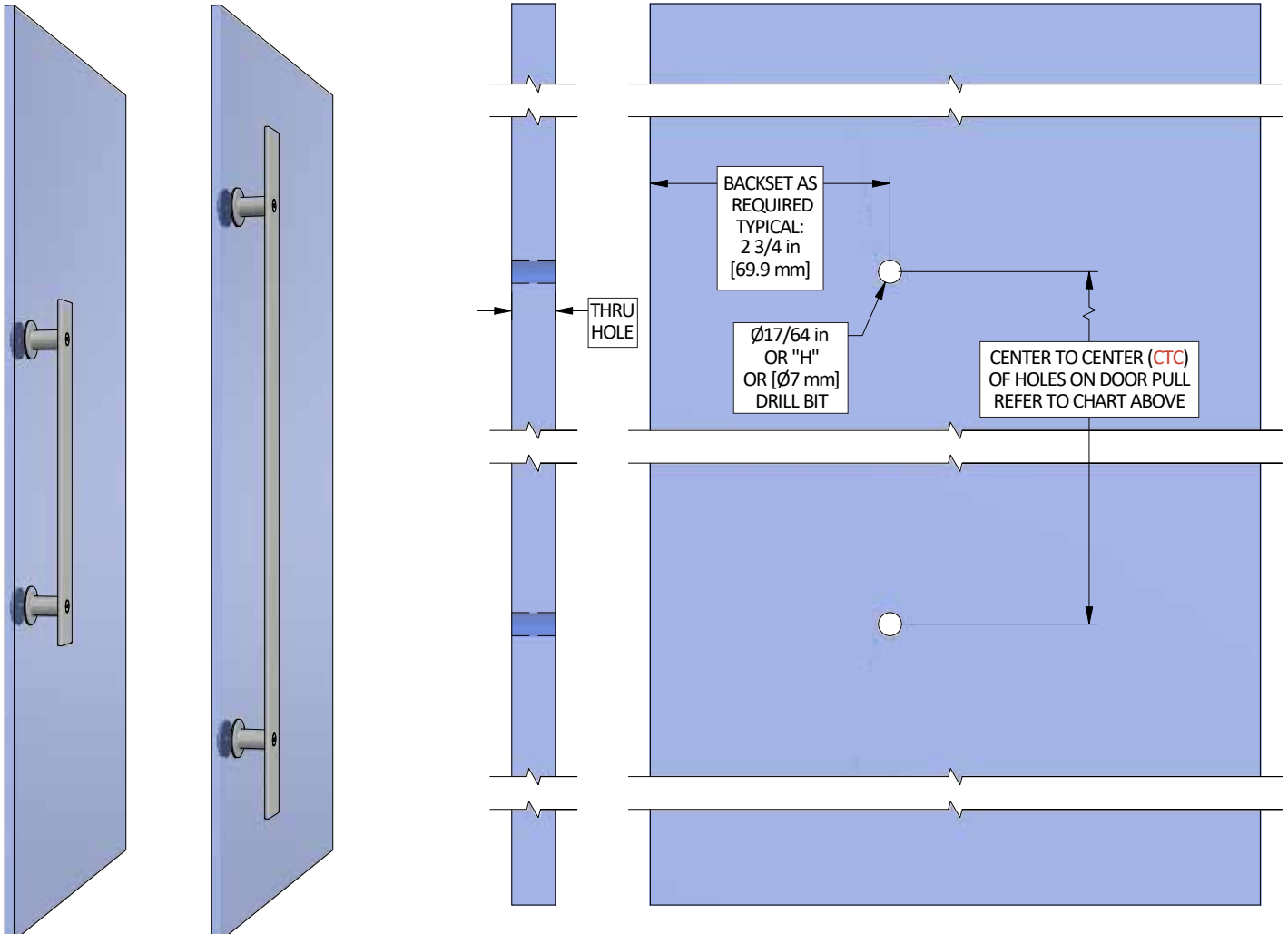
CENTER TO CENTER HOLE SPACING FOR DOOR PULLS				
OVERALL PULL LENGTH		NO. OF HOLES	DIMENSION CTC	
18 in [457 mm]		2	14 in [356 mm]	
36 in [914 mm]		2	28 in [711 mm]	

PRODUCT DIMENSION DETAILS



CFT-GSP18 (18 in [457 mm]) SHOWN ON LEFT
CFT-GSP36 (36 in [914 mm]) SHOWN ON RIGHT

DOOR PREP DETAILS



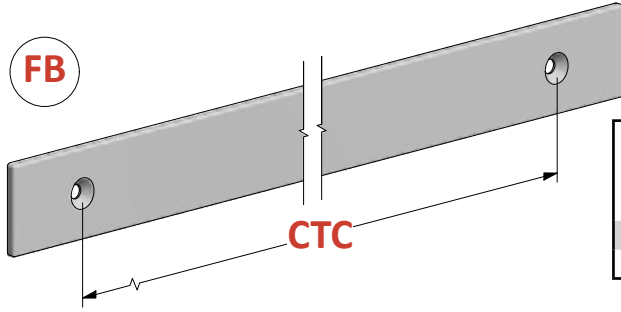
CFT-GSP[] FLAT BAR SINGLE GLASS DOOR HANDLE PULLS

INSTRUCTION SHEET



K.N.CROWDER MFG. INC.

PARTS LIST



CFT-FBDP-[DOOR PULL LENGTH]
FLAT BAR DOOR PULL (1)
(DOOR PULL LENGTH, SEE CHART BELOW)

CENTER TO CENTER HOLE SPACING FOR DOOR PULLS				
OVERALL PULL LENGTH		NO. OF HOLES	DIMENSION	CTC
18 in	[457 mm]	2	14 in	[356 mm]
36 in	[914 mm]	2	28 in	[711 mm]

FC2



1/4-20 X 1-1/2" FLAT HEAD SOCKET CAP SCREW (2)

BP



CRFT-GBP (2)
(GLASS DOOR BACK PLATE)

OR



CRFT-GWIR RUBBER O-RING (4)

A



CFT-DPB-A (2)
(DOOR PULL BRACKET TYPE "A", THREADED HOLE BOTH ENDS)

FC



5/16-18 X 3/4" FLAT HEAD SOCKET CAP SCREW (2)

ASSEMBLY

