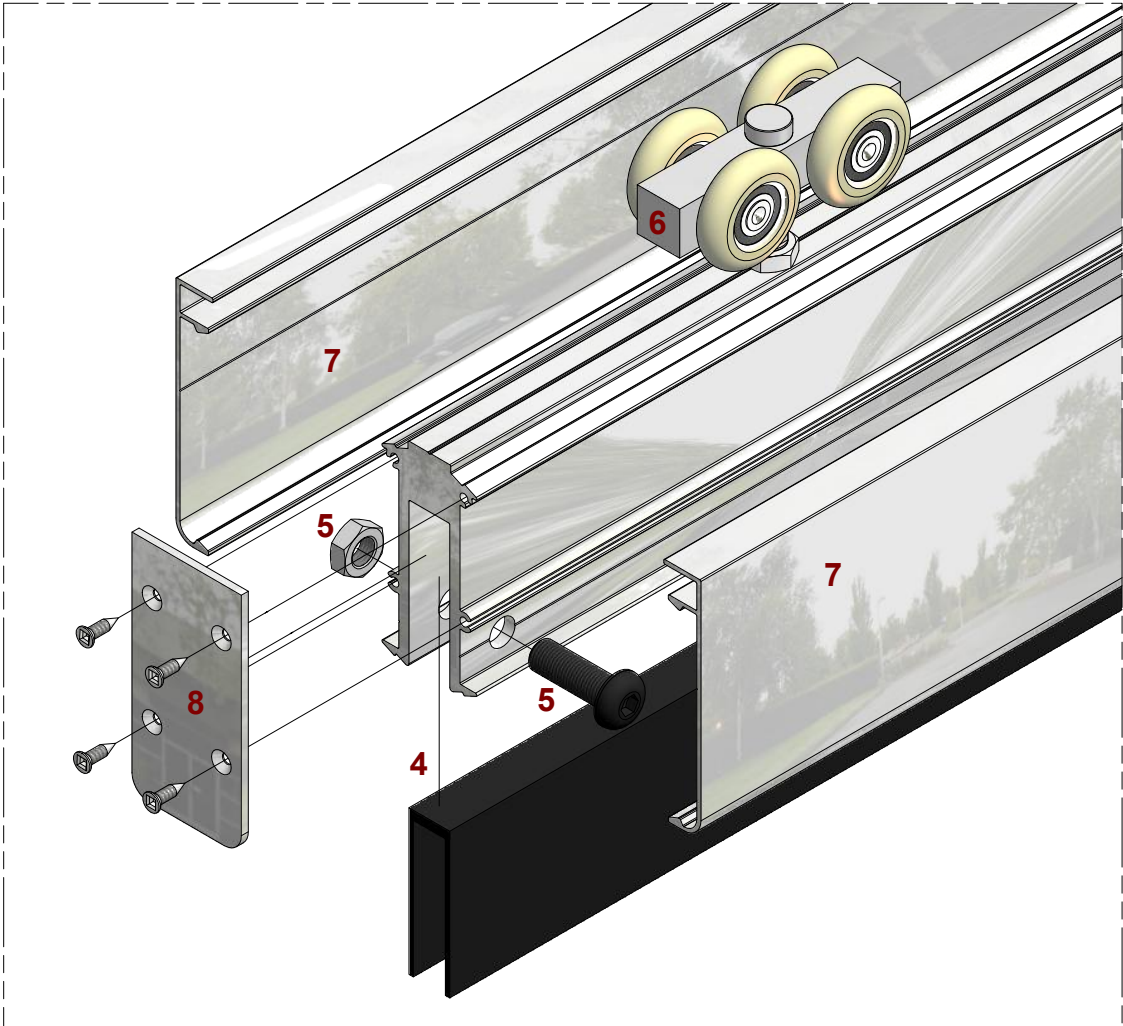



Instructions:

1. Install track on wall as required, mount with lag bolts (wood or stud wall). NOT recommended to install on sheet metal stud walls. Track should be mounted with 16" center to center spacing for the fasteners.
2. Hanger has to be installed on glass door before mounting to the track.
3. Prepare glass for hangers with 3/8" holes as per hole location drawing previously supplied.
4. Slip rubber boot onto the top edge of the glass. Install extruded hanger body (complete with hangers and wheels) on top of rubber boot.
5. Align holes on rubber boot, glass door and hanger body. Insert button head bolts and place nuts on reverse side. Note: All bolts should be installed loosely before tightening. Fasten nuts and bolts to clamp and secure door in place. (Recommend: use locktite to prevent nut from loosening.)
6. Install hanger/panel assembly on to track, adjust hanger stud to make door plumb and level, lock adjustment with nut.
7. Snap-on extruded fascia covers, one per side.
8. Place end caps onto ends of hanger and fasten with #6 flathead screws.

Note: If using bottom guide glass clamp, installation process is similar to above.



Not to scale

PRODUCT:		 1220 BURLOAK DRIVE BURLINGTON, ONTARIO, L7L 6B3 PHONE: 905-315-9788 or 716-754-8247 (US) TOLL FREE FAX: 1-800-567-0123 www.kncrowder.com			BY:
CUSTOMER:					
PROJECT:					
DWG N°:	REV N°:				DATE:
DRAWN BY:	SCALE:				
DATE:					
THIS DRAWING IS THE PROPERTY OF K.N. CROWDER MFG. INC. AND IS SUBJECT TO RETURN UPON DEMAND. IT MUST NOT BE TRACED, COPIED, OR REPRODUCED IN ANY MANNER, NOR SUBMITTED TO ANY OUTSIDE PARTIES FOR EXAMINATION WITHOUT OUR CONSENT.					