

CPD-2X6-JOINER KIT FOR CATCH'N'CLOSE CROWDERFRAME POCKET DOUBLE/BI-PARTING DOOR OPENINGS

INSTRUCTION SHEET (FOR TYPE CC-W-2X6 CATCH'N'CLOSE POCKET DOOR KITS)

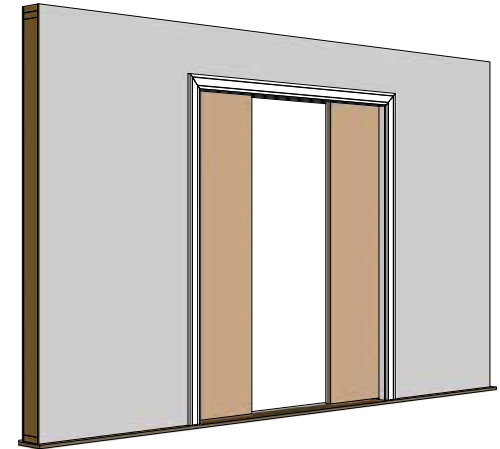
(COMPLETE 2X TYPE CC-W-2X6 WITH CPD-2X6-JOINER KIT ILLUSTRATED. FRAMING BY OTHERS.)



NOTE: READ CAREFULLY - CONTAINS INFORMATION WHICH IF NOT FOLLOWED MAY VOID WARRANTY OR CAUSE INJURY TO USERS

ALL TESTING ON THIS PRODUCT HAS BEEN COMPLETED WITH 2X6 LUMBER FRAMING STUDS FOR ROUGH OPENING TO PROVIDE SUFFICIENT STRUCTURAL SUPPORT FOR CROWDERFRAME POCKET DOOR KITS. (FRAMING DETAILS MAY DIFFER BASED ON REGION. REFER TO YOUR REGION'S BUILDING CODES FOR FRAMING DETAILS). IF ANY MATERIALS OR SUPPORT OTHER THAN 2X6 LUMBER FRAMING (SUCH AS METAL STUD FRAMING) IS TO BE USED FOR STRUCTURAL SUPPORT, VERIFICATION BY A CERTIFIED STRUCTURAL ENGINEER IS REQUIRED.

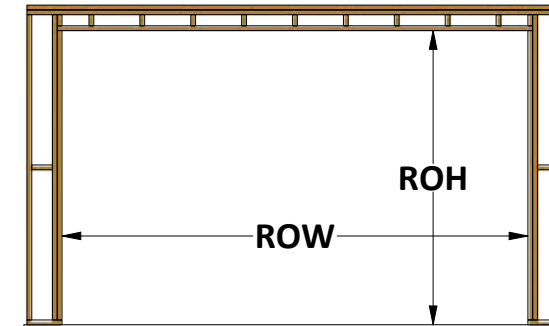
K.N. CROWDER IS NOT RESPONSIBLE FOR FRAMING DETAILS. K.N. CROWDER'S WARRANTY WILL NOT COVER ANY ISSUES THAT RESULT FROM INCORRECT STRUCTURAL SUPPORT/FRAMING DETAILS.



PARTS LIST:

TWO 2X6 CROWDERFRAME POCKET SINGLE DOOR KITS.
EXAMPLE: TYPE CC-W-2X6 (PURCHASED SEPARATELY)

- #10 X 1" SELF-DRILLING SCREWS (16) [FT26]
- 3/8" X 6" LONG HEX LAG BOLT (1) [FT53]
- CPD-2X6-JBC JOINER BRACKET (1)
- 3/8" FLAT WASHER (1) [FT53]
- 3/8" EXTERNAL TOOTH LOCK WASHERS (1) [FT53]



DOUBLE/BI-PARTING DOOR OPENINGS WITH CPD-2X6-JOINER KIT
ROUGH OPENING HEIGHT (ROH) FROM FINISHED FLOOR:
AT LEAST 94 in [2350 mm] HIGH FOR DOORS UP TO 84 in (7'-0") OR [2150 mm]
AT LEAST 106 in [2654 mm] HIGH FOR DOORS UP TO 96 in (8'-0") OR [2455 mm] (-EXH8 KITS)
AT LEAST 130 in [3302 mm] HIGH FOR DOORS UP TO 120 in (10'-0") OR [3064 mm] (-EXH10 KITS)

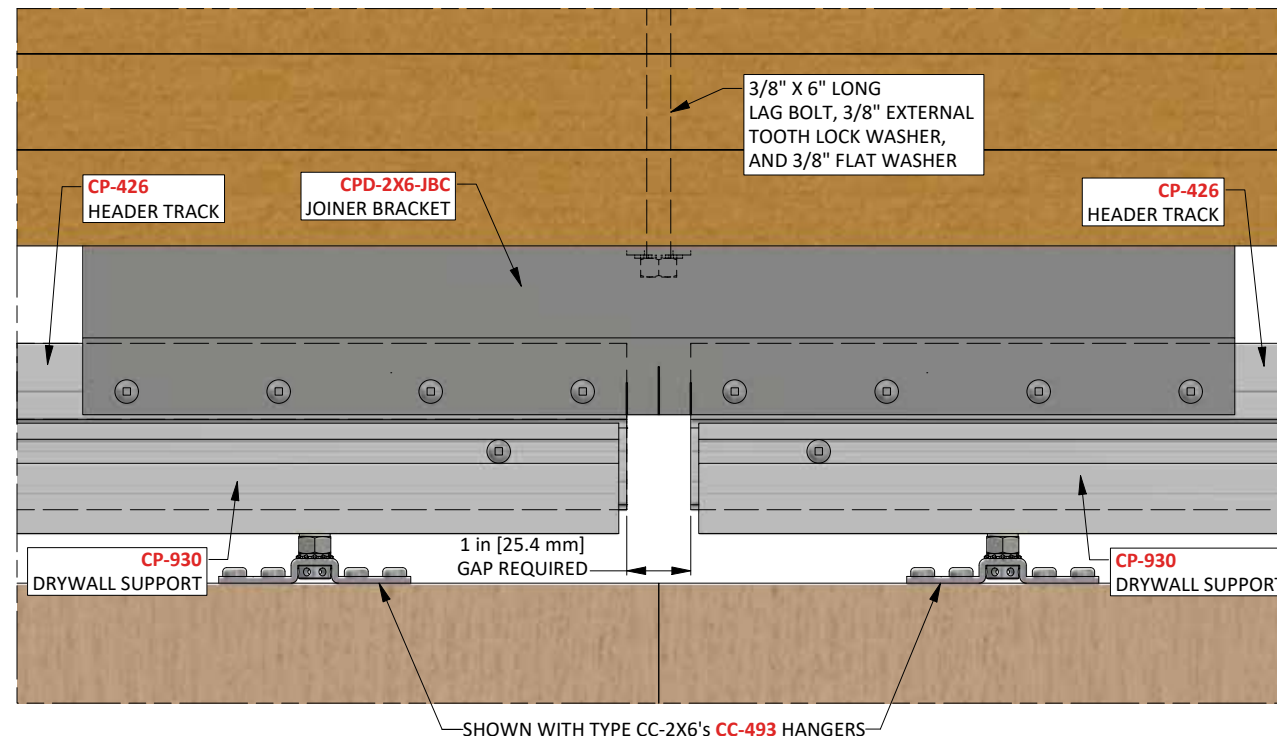
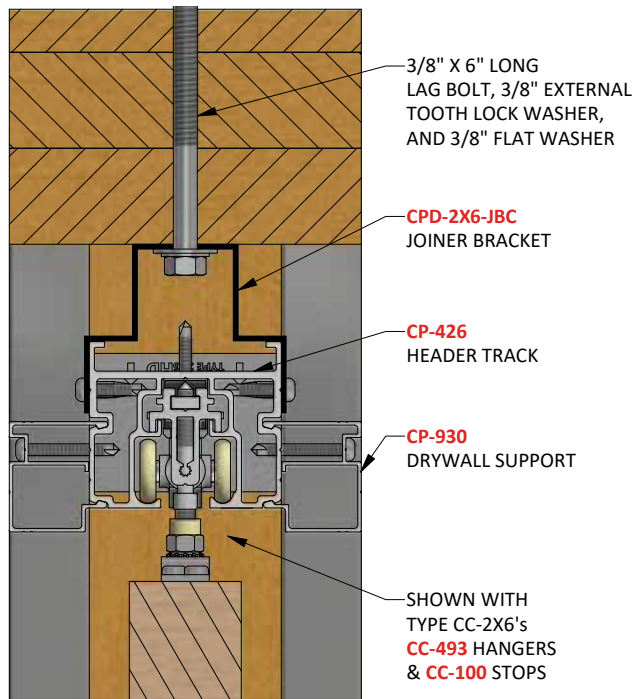


CHART CPD-2X6-A: ROUGH OPENING SIZE & TRACK LENGTH

QTY 2 X DOOR WIDTH:	ROUGH OPENING WIDTH (ROW):	QTY 2 X CP-426 TRACK LENGTH REQUIRED:	
18 in (1'-6") [457 mm]	74 1/2 in [1892 mm]	36 5/8 in [930 mm]	TRACK LENGTH EQUAL TO: 2X DOOR WIDTH + 5/8 in [15.9 mm]
20 in (1'-8") [508 mm]	82 1/2 in [2096 mm]	40 5/8 in [1032 mm]	
22 in (1'-10") [559 mm]	90 1/2 in [2299 mm]	44 5/8 in [1134 mm]	
24 in (2'-0") [610 mm]	98 1/2 in [2502 mm]	48 5/8 in [1235 mm]	
26 in (2'-2") [661 mm]	106 1/2 in [2705 mm]	52 5/8 in [1337 mm]	
28 in (2'-4") [711 mm]	114 1/2 in [2908 mm]	56 5/8 in [1438 mm]	
30 in (2'-6") [762 mm]	122 1/2 in [3112 mm]	60 5/8 in [1540 mm]	
32 in (2'-8") [813 mm]	130 1/2 in [3315 mm]	64 5/8 in [1642 mm]	
34 in (2'-10") [864 mm]	138 1/2 in [3518 mm]	68 5/8 in [1743 mm]	
36 in (3'-0") [914 mm]	146 1/2 in [3721 mm]	72 5/8 in [1845 mm]	
38 in (3'-2") [965 mm]	158 1/2 in [4026 mm]	78 5/8 in [1997 mm]	TRACK LENGTH EQUAL TO: 2X DOOR WIDTH + 2 5/8 in [66.7 mm]
40 in (3'-4") [1016 mm]	166 1/2 in [4229 mm]	82 5/8 in [2099 mm]	
42 in (3'-6") [1067 mm]	174 1/2 in [4432 mm]	86 5/8 in [2200 mm]	
44 in (3'-8") [1118 mm]	182 1/2 in [4636 mm]	90 5/8 in [2302 mm]	
46 in (3'-10") [1168 mm]	190 1/2 in [4839 mm]	94 5/8 in [2404 mm]	
48 in (4'-0") [1219 mm]	198 1/2 in [5042 mm]	98 5/8 in [2505 mm]	

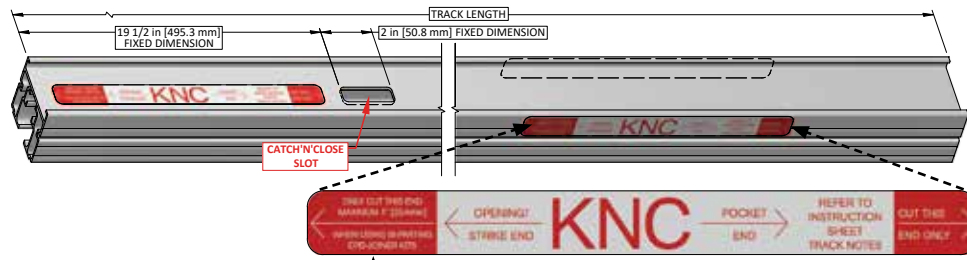
CPD-2X6-JOINER KIT FOR CATCH'N'CLOSE CROWDERFRAME POCKET DOUBLE/BI-PARTING DOOR OPENINGS

INSTRUCTION SHEET (FOR TYPE CC-W-2X6 CATCH'N'CLOSE POCKET DOOR KITS)

!!!IMPORTANT!!!

TRACK NOTES:

THE SUPPLIED CP-426 TRACKS FEATURES A CATCH'N'CLOSE SLOT ALONG WITH STICKERS STRATEGICALLY PLACED AS SHOWN BELOW. THIS CATCH'N'CLOSE SLOT IS REQUIRED TO INSTALL AND REMOVE CATCH'N'CLOSE CLOSING DEVICES WITHOUT REMOVING DOOR, TRIM OR OPENING WALL. TO CUT CORRECTLY, FOLLOW NOTES AND DETAILS BELOW:



FOR DOUBLE/BI-PARTING DOOR KITS:

BEFORE CUTTING TRACKS TO FINAL SIZE, 1 in [25.4 mm] MUST BE CUT OFF "OPENING/STRIKE END" OF BOTH TRACKS (INDICATED BY THE LIGHT GREY NOTE ON TRACK STICKERS). ONCE 1 in [25.4 mm] IS CUT OFF FROM "OPENING/STRIKE END" OF TRACK, CUT BOTH TRACKS TO FINAL SIZE BY CUTTING "POCKET END" OF TRACKS AS SHOWN ABOVE PER COLUMN "CP-426 TRACK LENGTH REQUIRED" IN CHART CPD-2X6-A.

FOR TWO (2) DOORS UP TO 36 in [914 mm] WIDE:

LENGTH IS EQUAL TO 2 X DOOR WIDTH + 5/8 in [15.9 mm]

FOR DOORS GREATER THAN 36 in [914 mm] UP TO 48 in [1219 mm] WIDE:

LENGTH IS EQUAL TO 2 X DOOR WIDTH + 2 5/8 in [66.7 mm]

STEP #CPD-1:

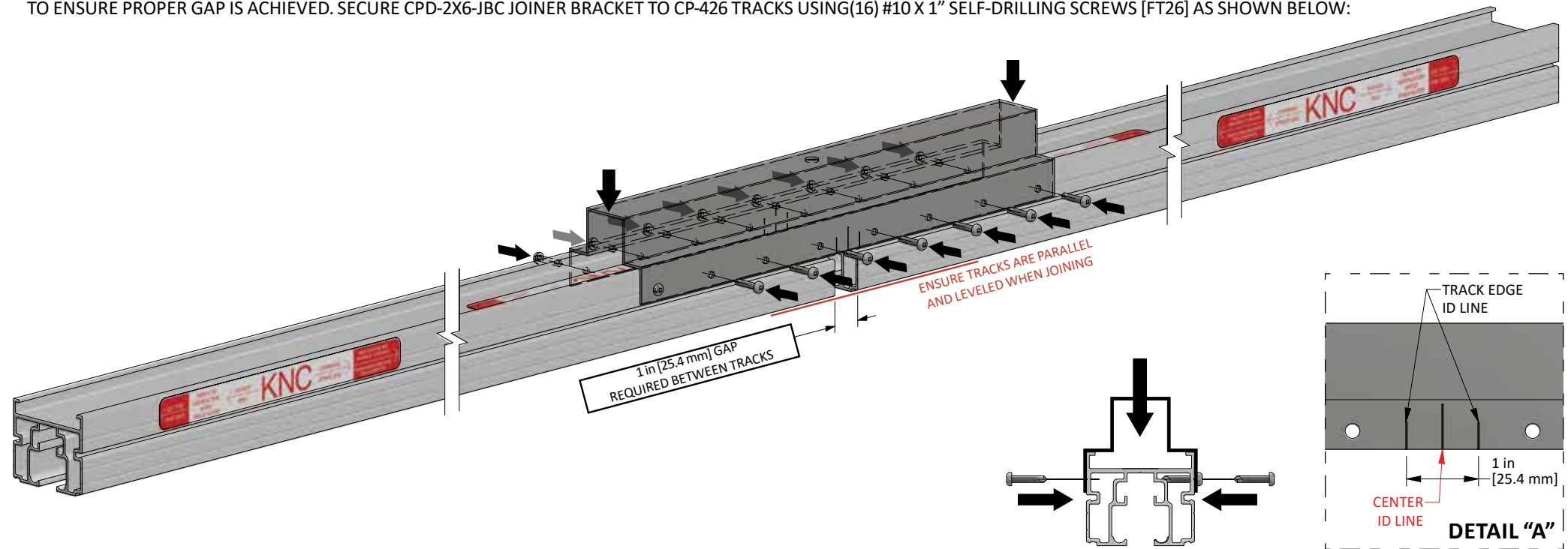
REFER TO CHART CPD-2X6-A ON PAGE 1 FOR ROUGH OPENING SIZE. FOLLOW STEPS #1 - #2 ON TYPE CC-W-2X6 INSTRUCTION SHEET PAGE 9.

STEP #CPD-2:

CUT TWO (2) CP-426 ALUMINUM HEADER TRACKS PER TRACK NOTES SHOWN TO LEFT:

STEP #CPD-3:

PLACE BOTH CP-426 HEADER TRACKS END TO END WITH GAP FACING DOWNWARDS ON A LEVEL SURFACE WITH 1 in [25.4 mm] GAP BETWEEN. SLIDE CPD-2X6-JBC JOINER BRACKET ON TOP OF CP-426 TRACKS AS SHOWN BELOW. CPD-2X6-JBC JOINER BRACKET HAS 3 GROOVE LINES FOR REFERENCE. SEE DETAIL "A" AS SHOWN BELOW AND RIGHT TO ENSURE PROPER GAP IS ACHIEVED. SECURE CPD-2X6-JBC JOINER BRACKET TO CP-426 TRACKS USING (16) #10 X 1" SELF-DRILLING SCREWS [FT26] AS SHOWN BELOW:



STEP #CPD-4:

FOLLOW STEPS #4 - #7 ON TYPE CC-W-2X6 INSTRUCTION SHEET PAGES 10-11.

STEP #CPD-5:

IT IS REQUIRED TO FILL SPACE BETWEEN CPD-2X6-JBC JOINER BRACKET AND FRAMING ABOVE. MEASURE GAP AND FILL WITH BLOCKING AS SHOWN BELOW AND LEFT.

NOTE: DO NOT OVER OR UNDER FILL GAP. THIS COULD CAUSE TRACK TO BECOME UNLEVELED OR OUT OF PLUMB.

STEP #CPD-6:

SECURE CPD-2X6-JBC JOINER BRACKET TO FRAMING HEADER ABOVE USING (1) 3/8" X 6" LONG LAG SCREW, (1) 3/8" EXTERNAL TOOTH LOCK WASHER AND (1) 3/8" FLAT WASHER [FT53] AS SHOWN LEFT.

NOTE: THIS IS MANDATORY IN ORDER TO SUPPORT MIDDLE SECTION OF TRACK FOR DOUBLE DOOR KITS. IF NOT SECURED TO FRAMING ABOVE, MIDDLE SECTION OF DOUBLE POCKET DOOR KIT MAY SAG AND RENDER DOORWAY INOPERABLE.

STEP #CPD-7:

USE A CHALK LINE AGAINST BOTTOM STUDS OF WALL TO MARK LINES OF OPENING ON BOTH SIDES. LOCATE AND SECURE CP-2X6HD FOOT BRACKETS (2), (3) FOR EXTRA WIDTH (EXW4) KITS WITH (4 PER BRACKET) #10 X 3/4" PAN HEAD SCREWS [FT3] AS PER FOOT BRACKET LOCATION CHART C ON TYPE CC-W-2X6 INSTRUCTION SHEET PAGES 12.

NOTE: FOOT BRACKETS ARE REVERSIBLE. FOOT BRACKETS ARE TO BE MOUNTED ON FINISHED FLOOR. IF FINISHED FLOOR IS NOT INSTALLED, SHIM FOOT BRACKETS TO THICKNESS OF FINISHED FLOOR.

STEP #CPD-8:

FOLLOW STEPS #10 - #33 ON TYPE CC-W-2X6 INSTRUCTION SHEET PAGES 13-18.

