

# CRT-101-SS



## FEATURES

- 600 lbs. [272 kg] weight capacity
- Delrin wheels and precision ball bearings provide smooth and quiet door operation
- Cycle tested for up to 150,000 cycles without fail
- ADA Compliant (Barrier-free) design
- Also available in black (CRT-101-BP)

## COMPLETE 1 DOOR KIT BREAKDOWN



### 1 - CRT-100-SS Round Track

x length based on kit size (e.g. 72 in [1829 mm] kit for 36 in [914 mm] wide door)



### CRT-111-WB-SS Wall Mount Brackets

quantity dependent on track length  
complete with 5/16-18 flat head socket lag screws and expansion shields



### CRT-101-SS Top Mount Hangers

complete with anti-lift and custom mounting screws

**2 hangers** for doors up to 350 lbs. [159 kg]

**3 hangers** for doors up to 450 lbs. [204 kg]

**4 hangers** for doors up to 600 lbs. [272 kg]



### 2 - CRT-110-SS Shock Absorbing Stops

clamp around flat track



### 1 - C-914 Aluminum Guide Channel

x length based on kit size (e.g. 36 in [914 mm] guide channel for 72 in [1829 mm] kit)

### 1 - C-913 Floor Guide

complete with screws

## OPTIONAL

### Door Locks & Pulls



### Notes:

Door thickness

Baseboard/trim thickness, if applicable

Customer Name

Job No./Name

Date

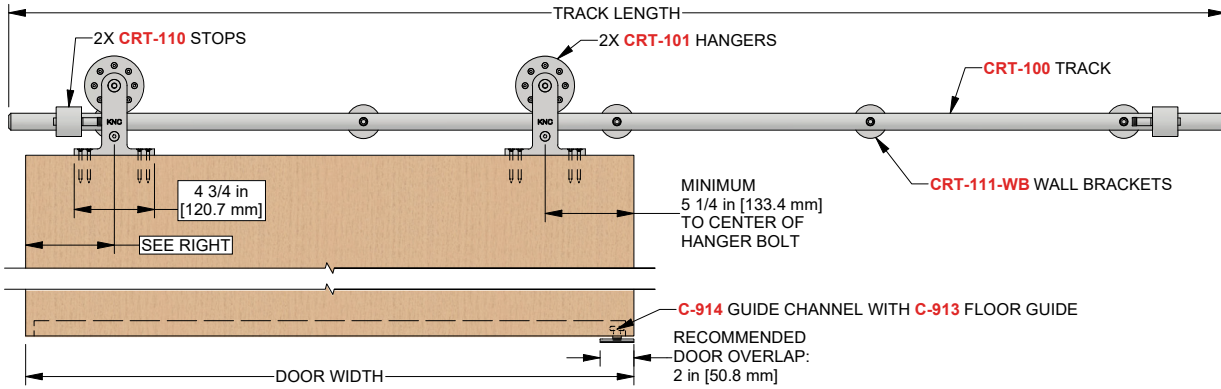
Provided By

Notes

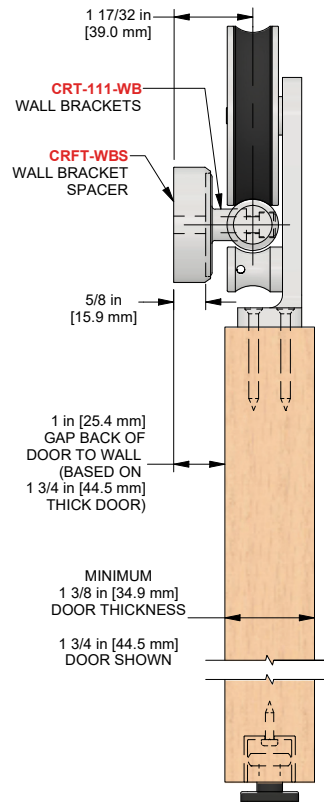
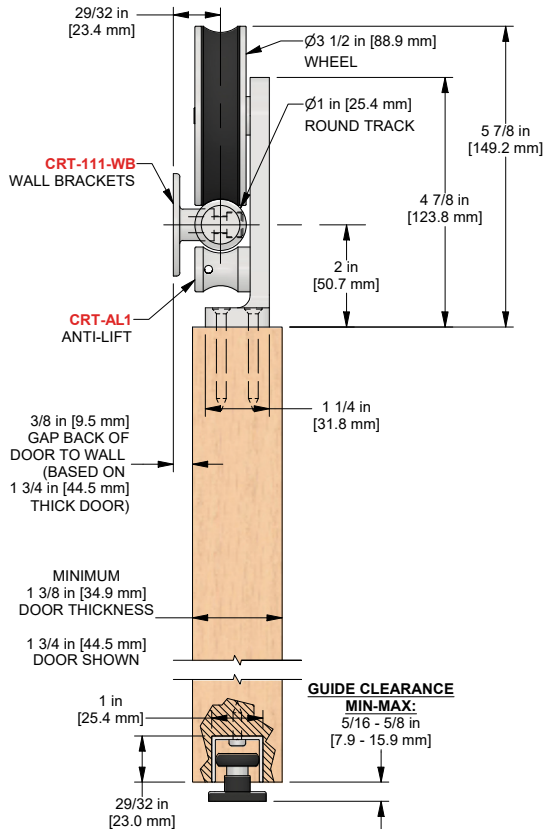
# CRT-101-SS



## COMPLETE ELEVATION VIEW



## PRODUCT DIMENSIONS



Installation Instructions



Customer Name

Job No./Name

Date

Provided By

Notes