

CRT-102-SS



FEATURES

- 600 lbs. [272 kg] weight capacity
- Delrin wheels and precision ball bearings provide smooth and quiet door operation
- Cycle tested for up to 150,000 cycles without fail
- ADA Compliant (Barrier-free) design
- Also available in black (CRT-102-BP)
- For 1 3/4 in [44.5 mm] thick door

COMPLETE 1 DOOR KIT BREAKDOWN



1 - CRT-100-SS Round Track

x length based on kit size (e.g. 72 in [1829 mm] kit for 36 in [914 mm] wide door)



CRT-122-WB-SS Wall Mount Brackets

quantity dependent on track length
complete with 5/16-18 flat head socket lag screws and expansion shields



CRT-102-SS Strap Mount Hangers

complete with anti-lift and custom mounting screws

2 hangers for doors up to 350 lbs. [159 kg]

3 hangers for doors up to 450 lbs. [204 kg]

4 hangers for doors up to 600 lbs. [272 kg]



2 - CRT-120-SS Shock Absorbing Stops

clamp around flat track



1 - C-914 Aluminum Guide Channel

x length based on kit size (e.g. 36 in [914 mm] guide channel for 72 in [1829 mm] kit)

1 - C-913 Floor Guide

complete with screws

OPTIONAL

Door Locks & Pulls



Notes:

Door thickness

Baseboard/trim thickness, if applicable

Customer Name

Job No./Name

Date

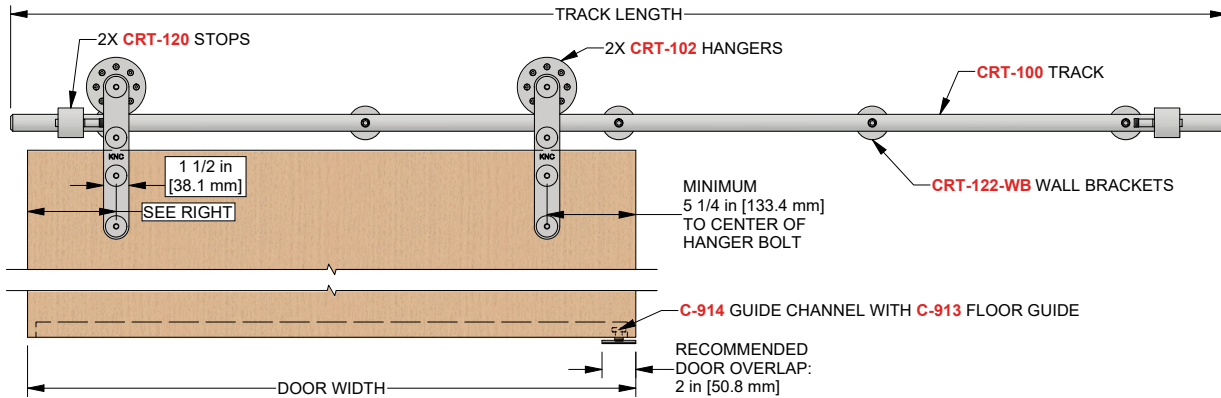
Provided By

Notes

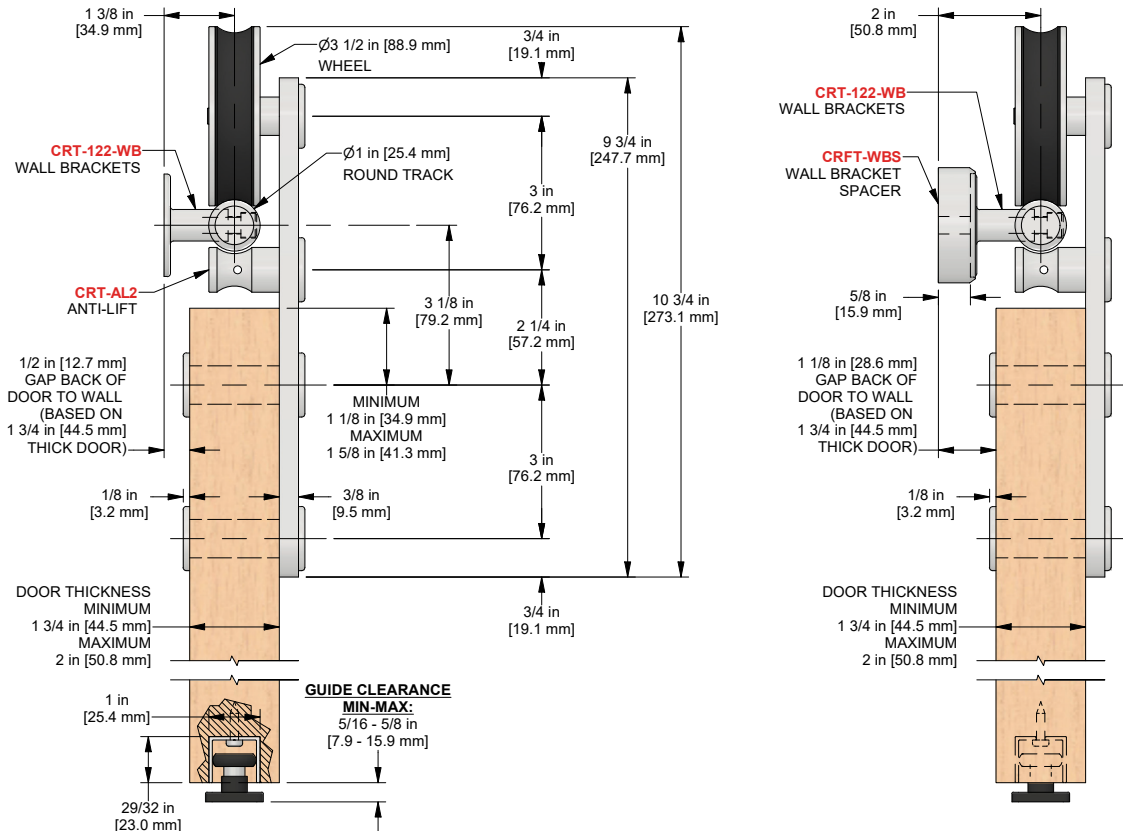
CRT-102-SS



COMPLETE ELEVATION VIEW



PRODUCT DIMENSIONS



Installation Instructions



Customer Name

Job No./Name

Date

Provided By

Notes