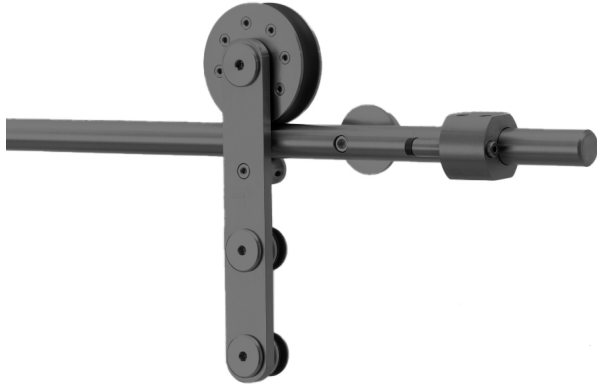


CRT-103-12-BP



FEATURES

- 600 lbs. [272 kg] weight capacity
- Delrin wheels and precision ball bearings provide smooth and quiet door operation
- Cycle tested for up to 150,000 cycles without fail
- ADA Compliant (Barrier-free) design
- Also available in stainless steel (CRT-103-12-SS)
- For 1/2 in [12 mm] thick glass door

COMPLETE 1 DOOR KIT BREAKDOWN



1 - CRT-100-BP Round Track
x length based on kit size (e.g. 72 in [1829 mm] kit for 36 in [914 mm] wide door)



CRT-111-WB-BP Wall Mount Brackets
quantity dependent on track length
complete with 5/16-18 flat head socket lag screws and expansion shields



CRT-103-BP Strap Mount Hangers
complete with anti-lift and custom mounting screws
2 hangers for doors up to 350 lbs. [159kg]
3 hangers for doors up to 450 lbs. [204 kg]
4 hangers for doors up to 600 lbs. [272 kg]



2 - CRT-110-BP Shock Absorbing Stops
clamp around flat track



1 - CGGS-012-BP Stationary Glass Guide
complete with screws

OPTIONAL

Door Locks & Pulls



Notes:

Baseboard/trim thickness, if applicable

Customer Name

Job No./Name

Date

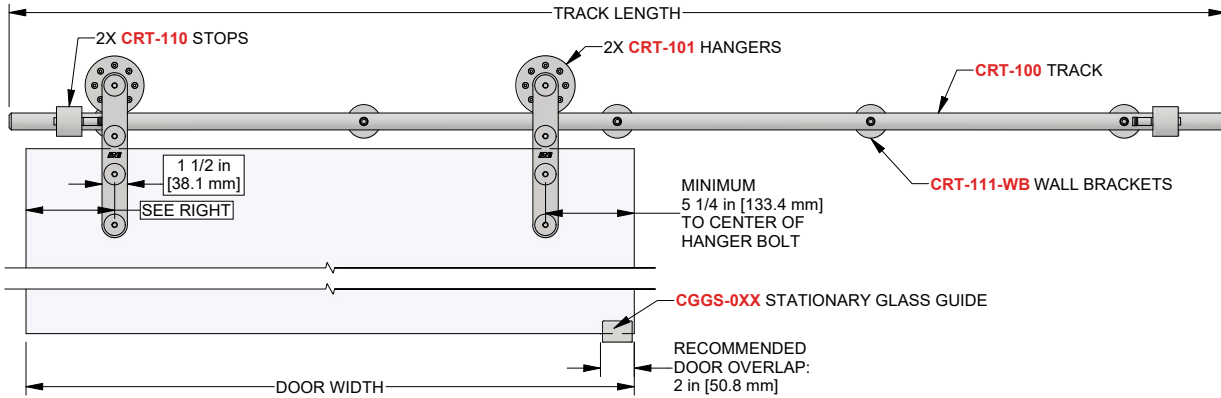
Provided By

Notes

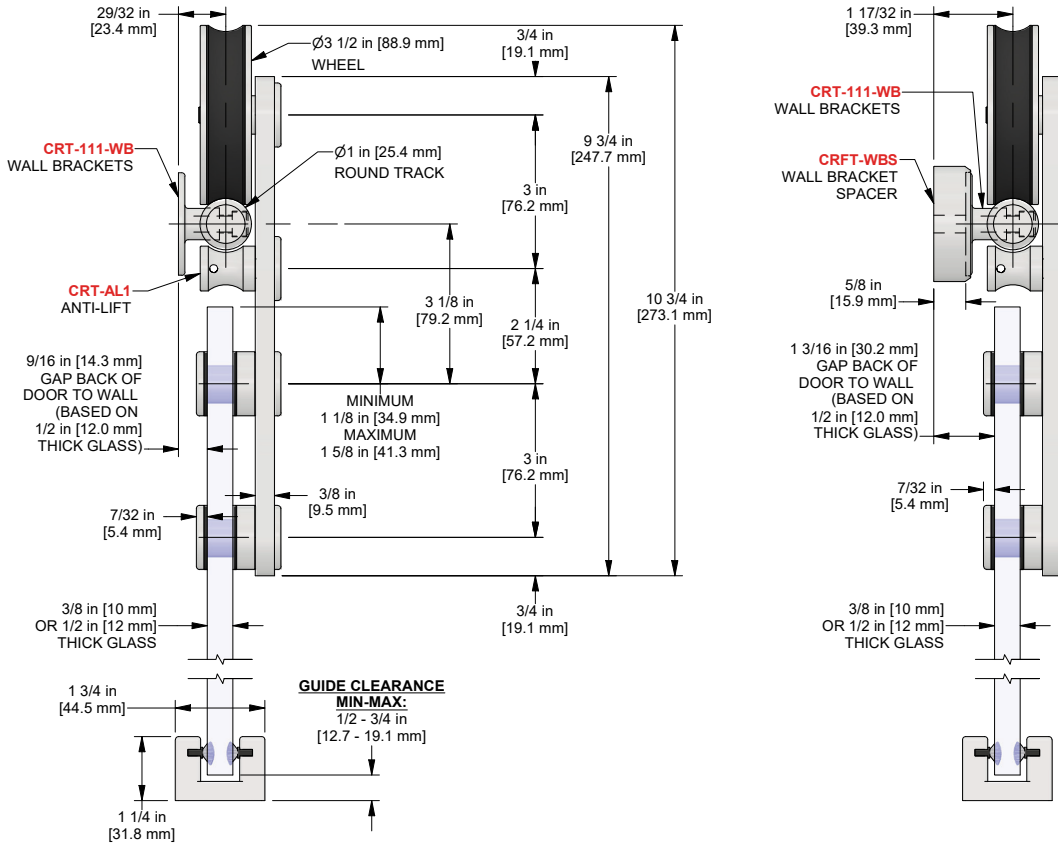
CRT-103-12-BP



COMPLETE ELEVATION VIEW



PRODUCT DIMENSIONS



Installation Instructions



Customer Name	Job No./Name	Date	Provided By

Notes