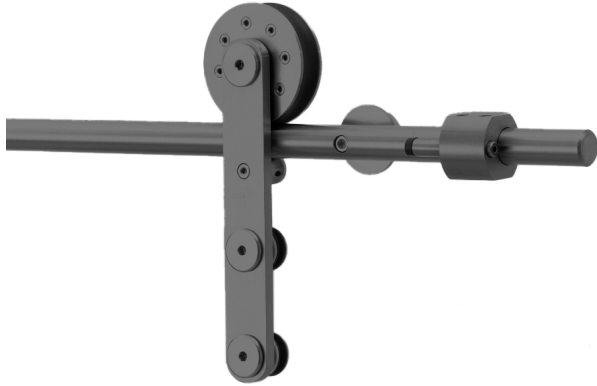


# CRT-103-38-BP



## FEATURES

- 600 lbs. [272 kg] weight capacity
- Delrin wheels and precision ball bearings provide smooth and quiet door operation
- Cycle tested for up to 150,000 cycles without fail
- ADA Compliant (Barrier-free) design
- Also available in stainless steel (CRT-103-38-SS)
- For 3/8 in [10 mm] thick glass door

## COMPLETE 1 DOOR KIT BREAKDOWN



**1 - CRT-100-BP Round Track**  
x length based on kit size (e.g. 72 in [1829 mm] kit for 36 in [914 mm] wide door)



**CRT-111-WB-BP Wall Mount Brackets**  
quantity dependent on track length  
complete with 5/16-18 flat head socket lag screws and expansion shields



**CRT-103-BP Strap Mount Hangers**  
complete with anti-lift and custom mounting screws  
**2 hangers** for doors up to 350 lbs. [159kg]  
**3 hangers** for doors up to 450 lbs. [204 kg]  
**4 hangers** for doors up to 600 lbs. [272 kg]



**2 - CRT-110-BP Shock Absorbing Stops**  
clamp around flat track



**1 - CGGS-038-BP Stationary Glass Guide**  
complete with screws

## OPTIONAL

### Door Locks & Pulls



### Notes:

Baseboard/trim thickness, if applicable

Customer Name

Job No./Name

Date

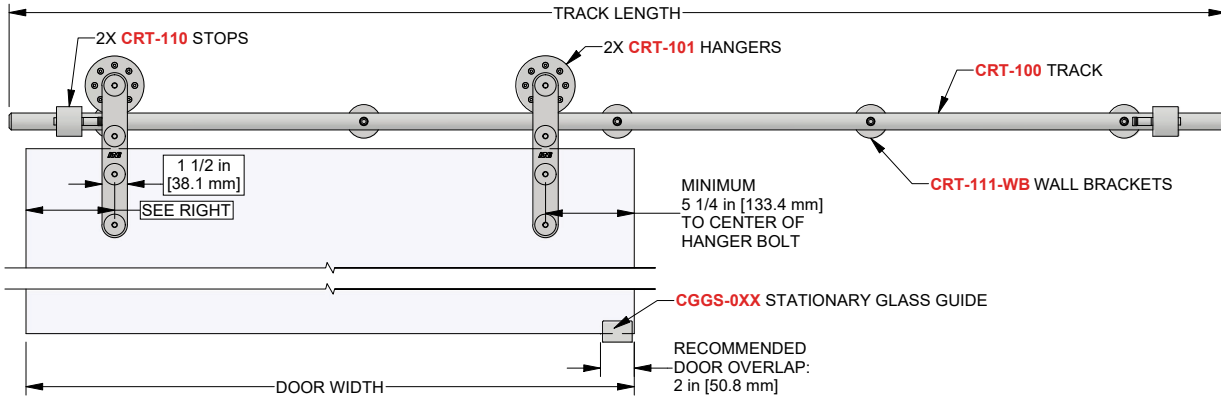
Provided By

Notes

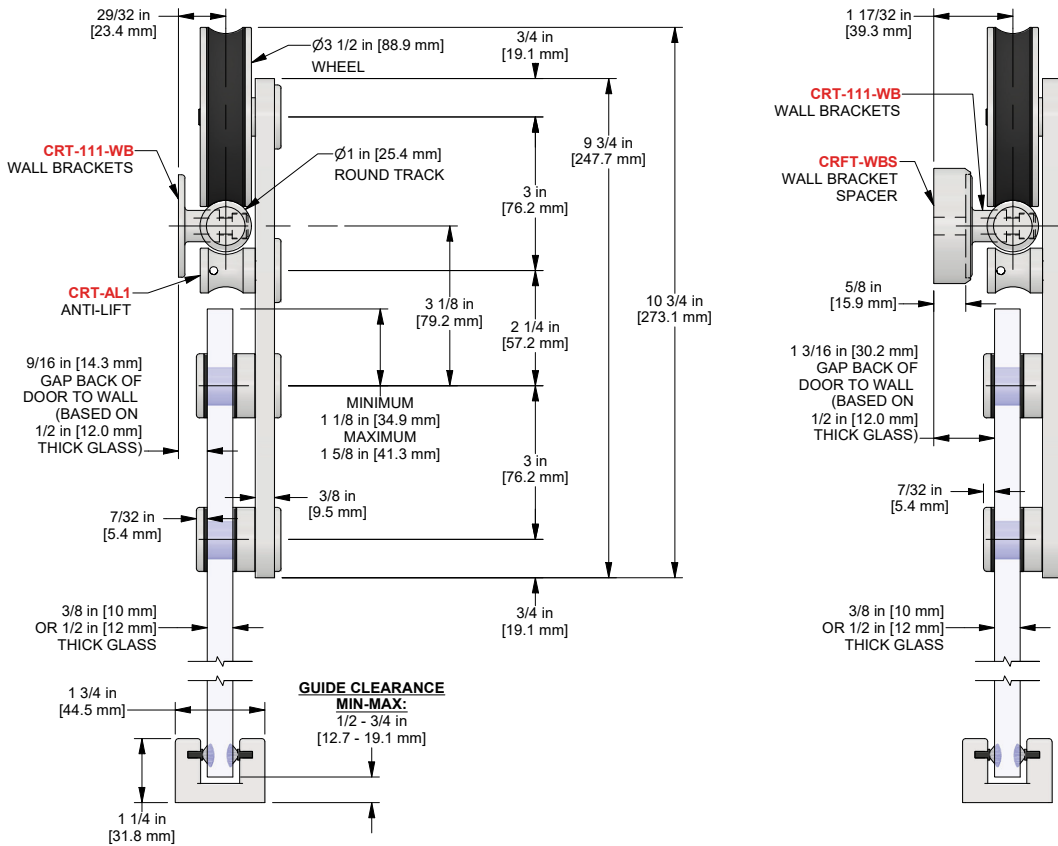
# CRT-103-38-BP



## COMPLETE ELEVATION VIEW



## PRODUCT DIMENSIONS



Installation Instructions



Customer Name	Job No./Name	Date	Provided By

### Notes