

FEATURES

- 175 lbs. [79 kg] weight capacity
- Delrin wheels and precision ball bearings provide smooth and quiet door operation
- Cycle tested for up to 150,000 cycles without fail
- ADA Compliant (Barrier-free) design
- Also available in black (CRT-51-BP)



COMPLETE 1 DOOR KIT BREAKDOWN



1 - CRT-50-SS Round Track

x length based on kit size (e.g. 72 in [1829 mm] kit for 36 in [914 mm] wide door)



CRT-11-WB-SS Wall Mount Brackets

quantity dependent on track length
complete with 5/16-18 flat head socket lag screws and expansion shields



2 - CRT-51-SS Top Mount Hangers

complete with anti-lift and custom mounting screws



2 - CRT-50-SS Shock Absorbing Stops

clamp around flat track



1 - C-914 Aluminum Guide Channel

x length based on kit size (e.g. 36 in [914 mm] guide channel for 72 in [1829 mm] kit)

1 - C-913 Floor Guide

complete with screws

OPTIONAL

Door Locks & Pulls



Notes:

Door thickness

Baseboard/trim thickness, if applicable

Customer Name

Job No./Name

Date

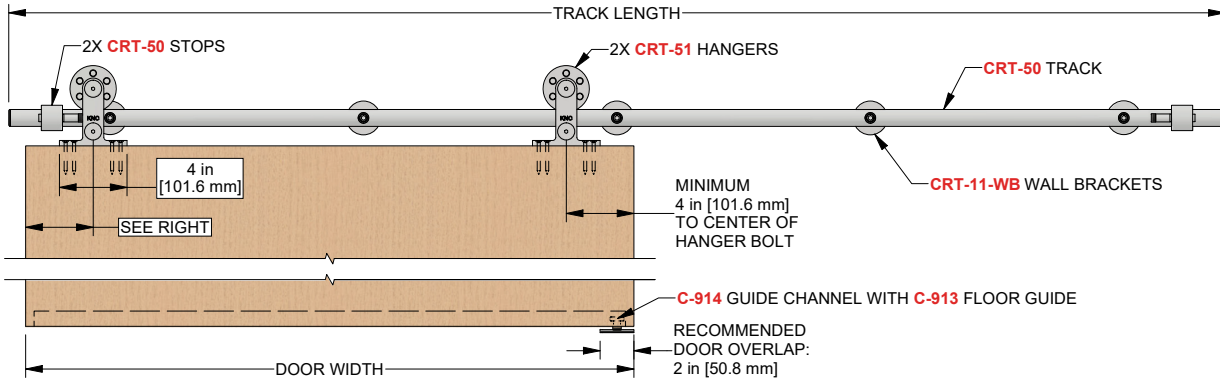
Provided By

Notes

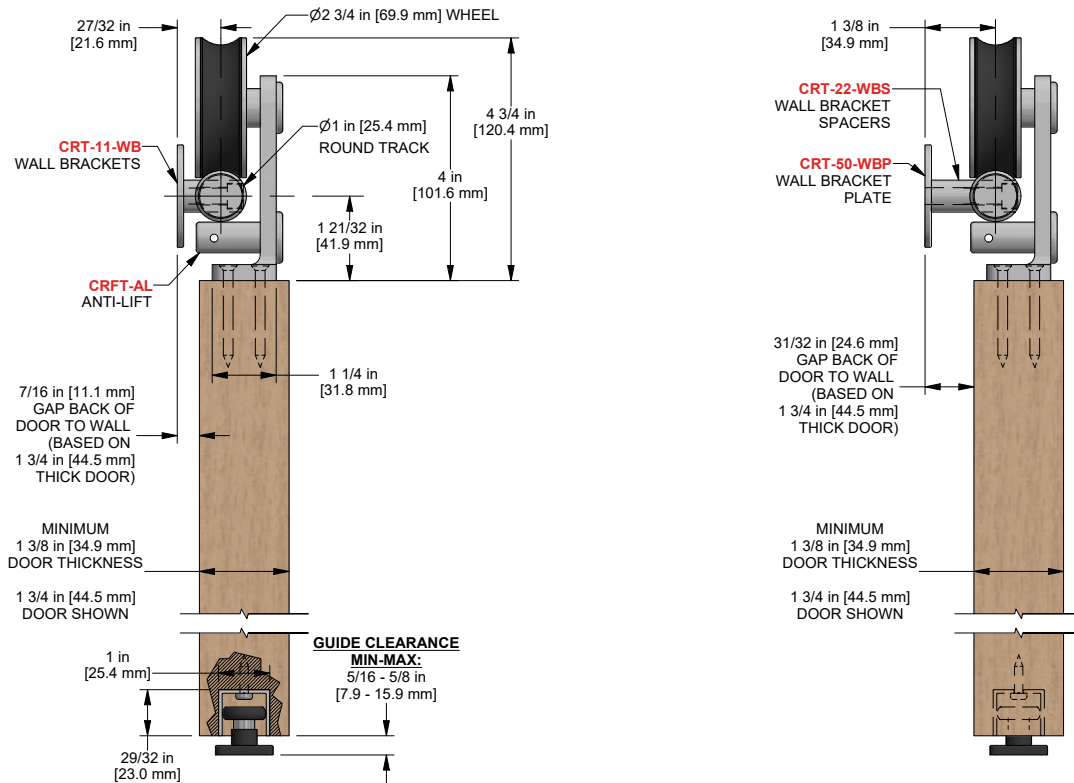
CRT-51-SS



COMPLETE ELEVATION VIEW



PRODUCT DIMENSIONS



Installation Instructions



Customer Name

Job No./Name

Date

Provided By

Notes