

CRT-52-BP



FEATURES

- 175 lbs. [79 kg] weight capacity
- Delrin wheels and precision ball bearings provide smooth and quiet door operation
- Cycle tested for up to 150,000 cycles without fail
- ADA Compliant (Barrier-free) design
- Also available in stainless steel (CRT-52-SS)
- For 1 3/4 in [44.5 mm] thick doors

COMPLETE 1 DOOR KIT BREAKDOWN



1 - CRT-50-BP Flat Track
x length based on kit size (e.g. 72 in [1829 mm] kit for 36 in [914 mm] wide door)



CRT-22-WB-BP Wall Mount Brackets
quantity dependent on track length
complete with 5/16-18 flat head socket lag screws and expansion shields



2 - CRT-52-BP Strap Mount Hangers
complete with anti-lift and custom mounting screws



2 - CRT-50-BP Shock Absorbing Stops
clamp around flat track



1 - C-914 Aluminum Guide Channel
x length based on kit size (e.g. 36 in [914 mm] guide channel for 72 in [1829 mm] kit)

1 - C-913 Floor Guide
complete with screws

OPTIONAL

Door Locks & Pulls



Notes:

Door thickness

Baseboard/trim thickness, if applicable

Customer Name

Job No./Name

Date

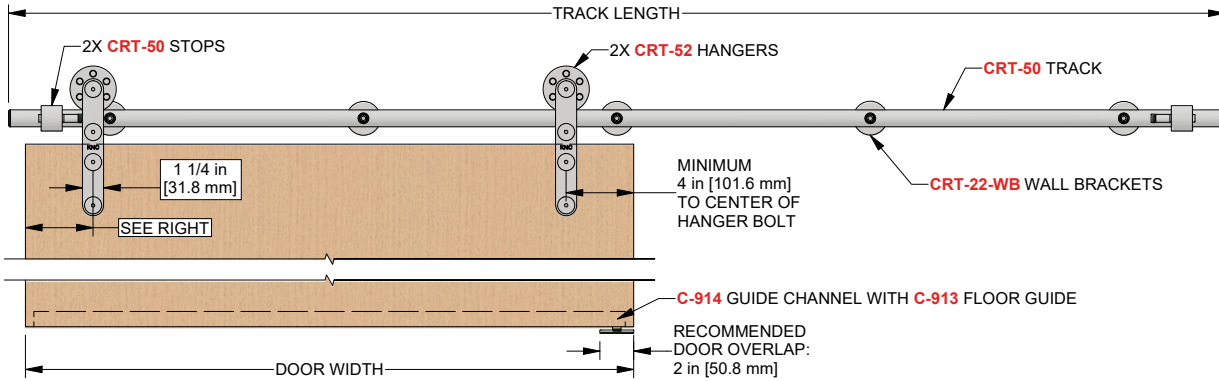
Provided By

Notes

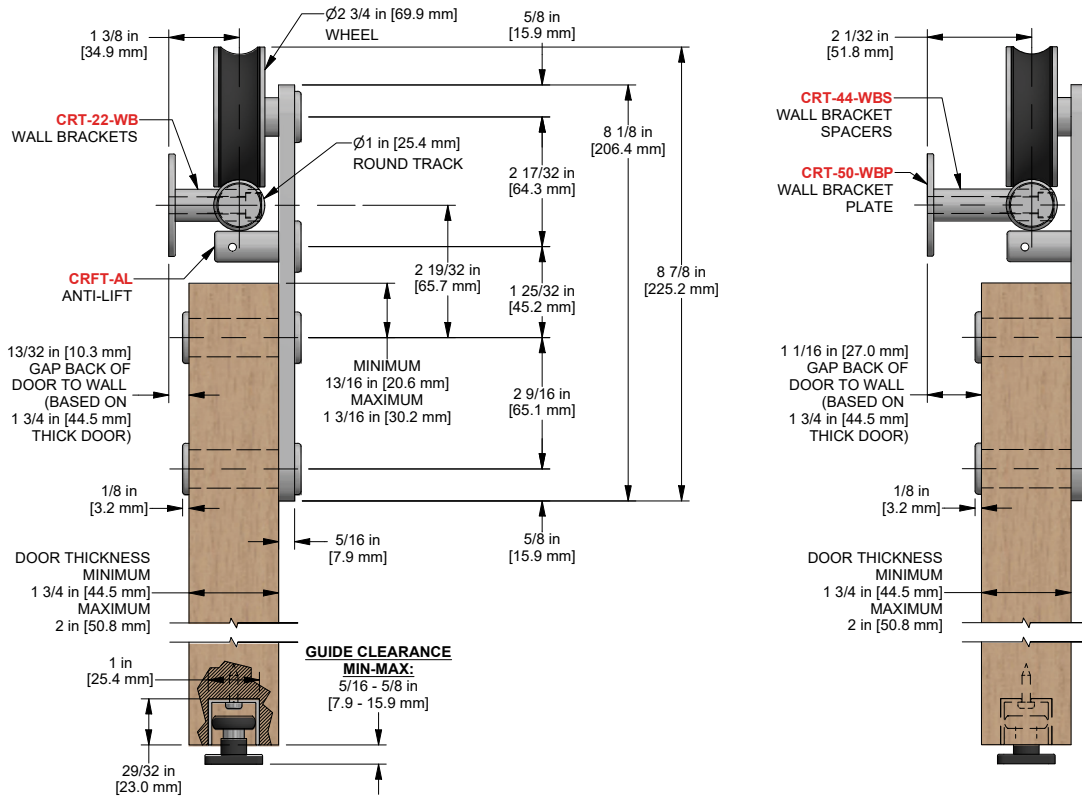
CRT-52-BP



COMPLETE ELEVATION VIEW



PRODUCT DIMENSIONS



Installation Instructions



Customer Name

Job No./Name

Date

Provided By

Notes