

CRT-GDP[] ROUND BAR BACK-TO-BACK GLASS DOOR HANDLE PULLS

INSTRUCTION SHEET

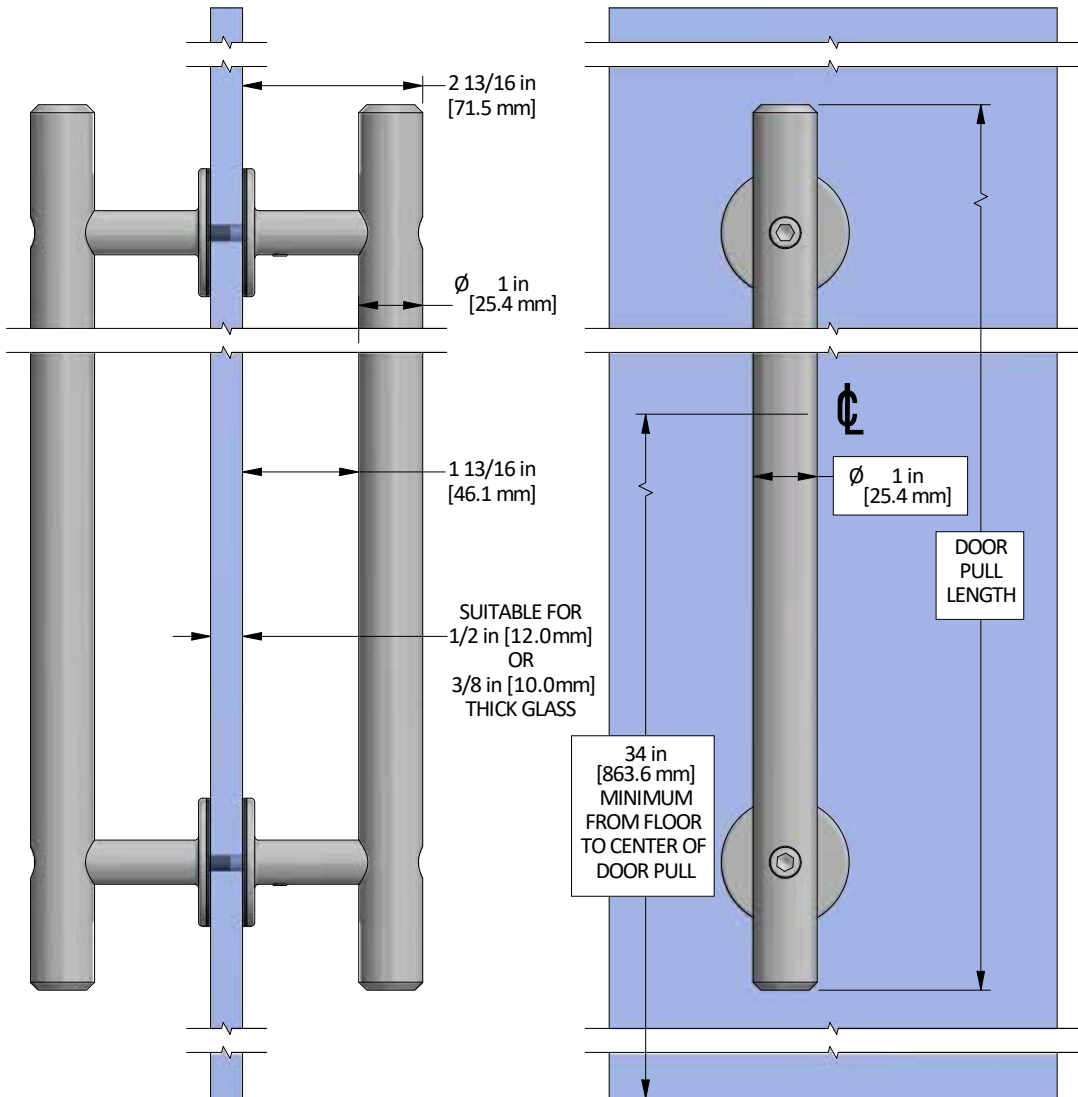


K.N.CROWDER MFG. INC.

- SUITABLE FOR 1/2 in [12.0 mm] TO 3/8 in [10.0 mm] THICK GLASS DOORS
- AVAILABLE IN 18 in [457 mm] AND 36 in [914 mm] LONG DOOR HANDLE PULLS

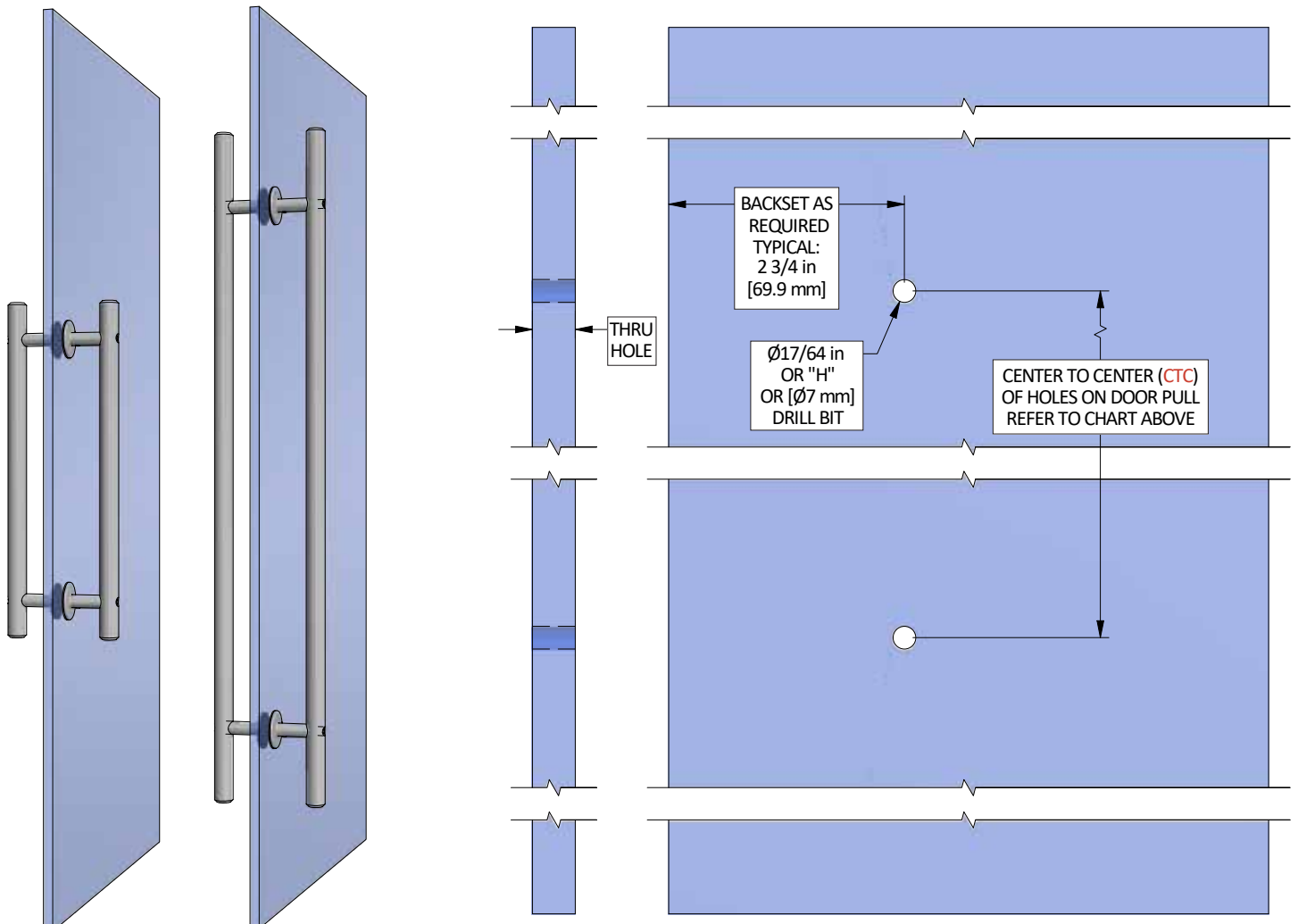
CENTER TO CENTER HOLE SPACING FOR DOOR PULLS				
OVERALL PULL LENGTH		NO. OF HOLES		DIMENSION CTC
18 in [457 mm]		2	14 in [356 mm]	
36 in [914 mm]		2	28 in [711 mm]	

PRODUCT DIMENSION DETAILS



CRT-GDP18 (18 in [457 mm]) SHOWN ON LEFT
CRT-GDP36 (36 in [914 mm]) SHOWN ON RIGHT

DOOR PREP DETAILS

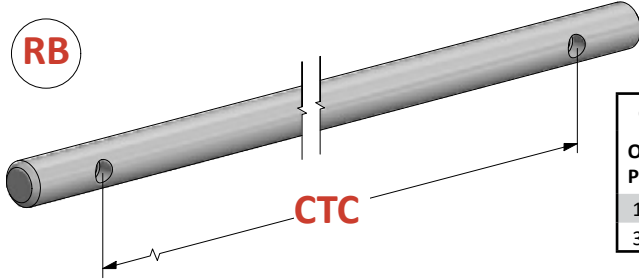


CRT-GDP[] ROUND BAR BACK-TO-BACK GLASS DOOR HANDLE PULLS

INSTRUCTION SHEET



PARTS LIST



CRT-RBDP-[DOOR PULL LENGTH]
ROUND BAR DOOR PULL (2)
(DOOR PULL LENGTH, SEE CHART BELOW)

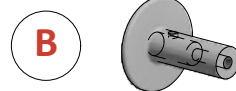
CENTER TO CENTER HOLE SPACING FOR DOOR PULLS				
OVERALL PULL LENGTH		NO. OF HOLES	DIMENSION	CTC
18 in [457 mm]		2	14 in [356 mm]	
36 in [914 mm]		2	28 in [711 mm]	



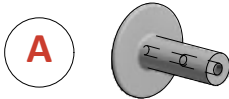
5/16-18 X 1" SOCKET
HEAD CAP SCREW (4)



CRFT-GWIR RUBBER O-RING (4)



CRT-DPB-B (2)
(DOOR PULL BRACKET TYPE "B",
THREADED HOLE ONE END,
CLEARANCE HOLE OPPOSITE END)



CRT-DPB-A (2)
(DOOR PULL BRACKET TYPE "A",
THREADED HOLE BOTH ENDS)



CRFT-GDPSCREW (2)
(CUSTOM GLASS DOOR PULL
SCREWS, HEX DRIVE ONE END,
1/4-20 THREAD OPPOSITE END)



1/4-20 X 3/16" CUP POINT
SOCKET SET SCREW (2)

ASSEMBLY

