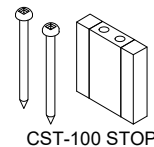
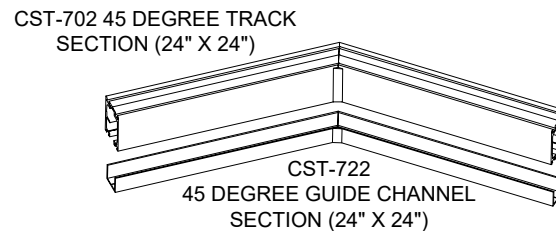
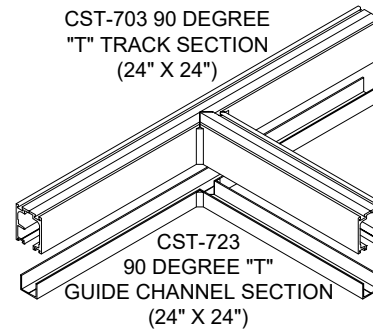
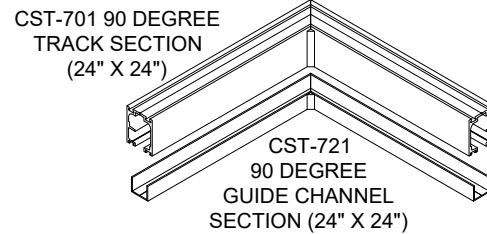
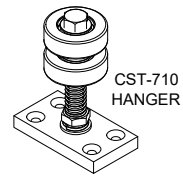


# CST-700 SERIES PRODUCT INSTRUCTIONS



## PARTS LIST (QUANTITY DEPENDANT ON CONFIGURATION)



## CST-710 HANGER INSTALLATION INSTRUCTIONS

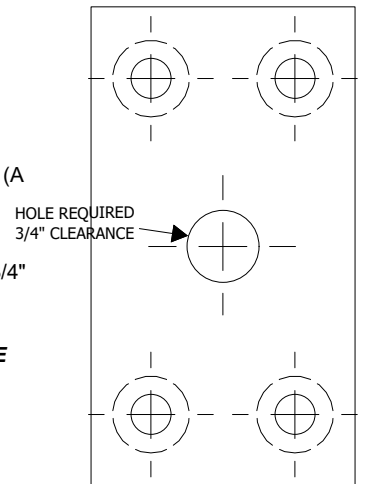
**STEP 1**  
DETERMINE LOCATION OF HANGERS: INSET FROM EDGE OF DOOR AND CENTER DISTANCE (CRITICAL). WHEN REQUESTED, A SHOP DRAWING IS PROVIDED BY K.N. CROWDER PRIOR TO ORDERING. ALL APPLICATIONS VARY THEREFORE SET-UP OF TRACK SYSTEMS & QUANTITIES DEPENDENT ON CONFIGURATION.

**STEP 2**  
LOCATE THE CENTER OF THE TOP PLATE AND DRILL A 3/8" CLEARANCE HOLE AT LEAST 1/2"-1" DEEP TO ALLOW FOR ADJUSTMENT TO THE HEIGHT OF THE HANGER. (A TEMPLATE, (TO THE RIGHT) IS SUPPLIED FOR THE TOP PLATE HOLE LOCATIONS).

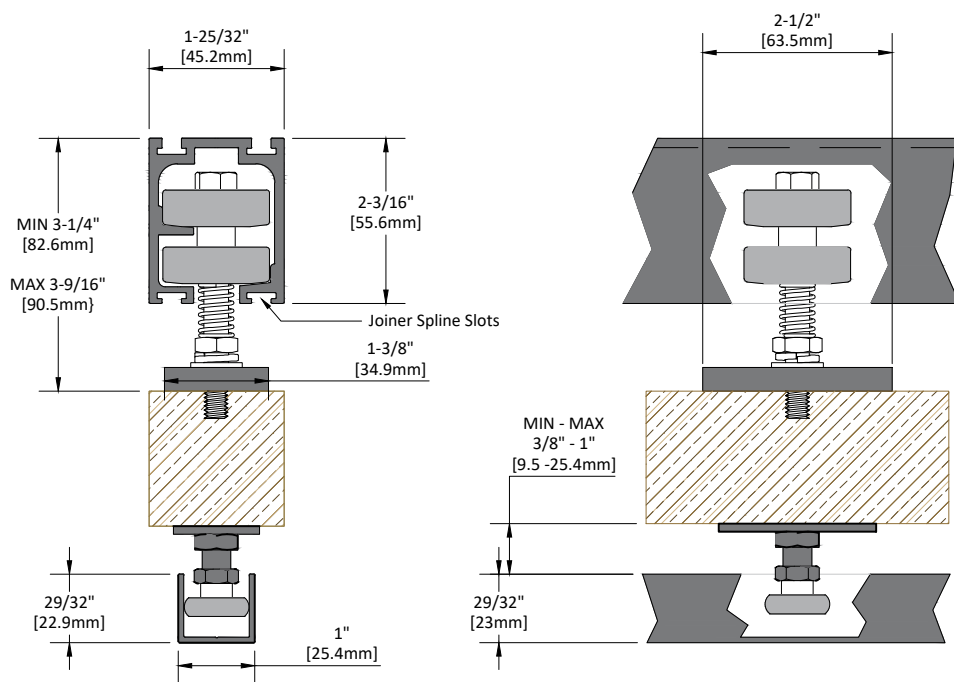
**STEP 3**  
LOCATE AND INSTALL CST-710 HANGER(S) ON DOORS AS REQUIRED WITH #10 X 1-3/4" FLAT HEAD SCREWS (4 PER HANGER SUPPLIED).

**NOTE: FOR MULTIPLE DOOR APPLICATIONS, IT IS IDEAL TO TRY ONE DOOR ON THE TRACK SYSTEM TO ENSURE THE DOOR WILL TRAVEL INTO THE STACKING BAY SECTION, OR ACROSS JOINTS WITHOUT OBSTRUCTIONS PRIOR TO COMPLETING THE INSTALLATION OF THE REMAINING HANGERS. FOR SYSTEMS USING THE BOTTOM GUIDE SYSTEM, CST-713 GUIDES MUST BE MOUNTED DIRECTLY BELOW THE CST-710 HANGERS TO ENSURE PROPER ALIGNMENT.**

## CST-710 HANGER TOP PLATE TEMPLATE



## DIMENSION DETAILS:



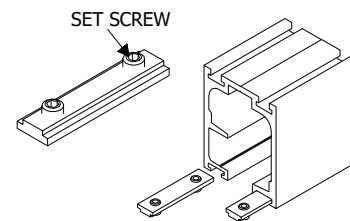
CST-714 GUIDE CHANNEL WITH CST-912 GUIDE

## CST-700 TRACK & GUIDE CHANNEL INSTALLATION INSTRUCTIONS

**STEP 1**  
TRACKS, GUIDE CHANNELS, JOINTS & CORNERS WILL BE PRE-CUT FROM FACTORY. LAYOUT OUT COMPLETE SYSTEM ON FLOOR BEFORE INSTALLING TO ENSURE MEASUREMENTS ARE CORRECT AS PER REQUIREMENTS AND SHOP DRAWING PRODUCED PRIOR TO PURCHASE.

**STEP 2**  
USE 5/16" HEX BOLTS OR #14 WOOD SCREWS AT 16" C/C TO SECURE TRACK TO HEADER. **NOTE: FOR STACKING BAYS, SECURE TRACK AT 6-8" C/C AS THESE AREAS WILL BE SUBJECT TO EXTRA LOADING.**

**STEP 3**  
USE TWO CST-709 SPLINES IN THE BOTTOM SLOTS OF THE TRACK TO ALIGN SECTIONS AT THE JOINTS.



**STEP 4**  
DEPENDING ON THE SET-UP OF THE APPLICATION, IF THE TRACK IS NOT ACCESSIBLE FROM EITHER END, IT IS IDEAL TO INSTALL THE STACKING BAY SECTION FIRST. WITH THE INSTALLATION OF THE STACKING BAY TRACK (& GUIDE SYSTEM) COMPLETE, PLACE ALL THE DOORS WITH HANGERS AND (GUIDES) INTO THE STACKING BAY AND THEN CONTINUE WITH THE REST OF THE TRACK (& GUIDE SYSTEM) INSTALLATION.

## CST-912 GUIDE SYSTEM INSTALLATION:

**STEP #1:**  
PREPARE SLOT IN FLOOR FOR CST-714 GUIDE CHANNEL RECESSED IN FLOOR AS PER DIMENSION DETAILS ON OPPOSITE SIDE. GUIDE CHANNEL SHOULD BE FLUSH WITH FINISHED FLOOR.

**STEP #2:**  
CUT CST-714 GUIDE CHANNEL TO REQUIRED LENGTH FOR APPLICATION IF NECESSARY. PRE-DRILL HOLES INTO THE EXTRUSION. IT IS RECOMMENDED TO PRE-DRILL THE FLOOR WITH A SMALLER DRILL BIT THAN THE SCREW DIAMETER.

**STEP #3:**  
POSITION CST-714 GUIDE CHANNEL IN FLOOR SLOT AND SECURE WITH RECOMMENDED #8 PAN HEADS OR FLAT HEAD SCREWS (BY OTHERS).

**STEP #4:**  
LOCATE CENTER OF CST-912 GUIDE AT LEAST 2 in [50.8 mm] FROM EACH EDGE OF THE DOOR. (IT IS RECOMMENDED TO USE TWO GUIDES PER DOOR FOR APPLICATIONS WITH GUIDE CHANNEL RECESSED IN FLOOR). DRILL A Ø3/4 in [19.1 mm] DIAMETER CLEARANCE HOLE AT LEAST 1 1/2 in [38.1 mm] DEEP IN THE CENTER OF THE GUIDE FOR ADJUSTMENT STUD.

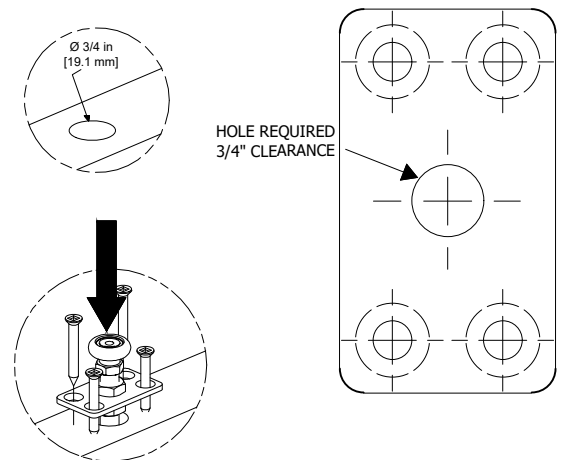
**STEP #5:**  
SECURE GUIDES TO DOOR WITH #10 X 1-1/2" FLATHEAD SCREWS (4). IT IS RECOMMENDED TO PRE-DRILL PILOT HOLES FOR THE SCREWS BEFORE ECURING GUIDES TO DOOR.

**STEP #6**  
CONTINUE WITH PROJECT BY INSTALLING HANGERS AND PLACING DOOR INTO POSITION AS REQUIRED.

**NOTE: FOR MULTIPLE DOOR APPLICATIONS, IT IS IDEAL TO TRY ONE DOOR ON THE TRACK SYSTEM TO ENSURE THE DOOR WILL TRAVEL INTO THE STACKING BAY SECTION, OR ACROSS JOINTS WITHOUT OBSTRUCTIONS PRIOR TO COMPLETING THE INSTALLATION OF THE REMAINING GUIDES.**



## CST-912 GUIDE PLATE TEMPLATE



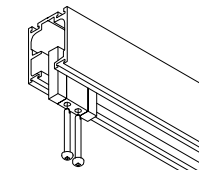
**MAXIMUM DOOR WEIGHT: 200LBS (90KG)**

DUAL HANGER SYSTEMS FOR STACKING DOOR SYSTEMS

**NOTE: BOTTOM GUIDE SYSTEM IS STRONGLY RECOMMENDED TO PROVIDE STABILITY AND PREVENT HANGER FAILURE. IF BOTTOM GUIDES ARE NOT USED, THE CUSTOMER MUST PROVIDE SURFACE OR FLUSH BOLTS TO STABILIZE THE DOORS.**

## CST-100 STOP INSTALLATION INSTRUCTIONS

**STEP 1**  
ONCE ALL THE TRACKS, GUIDES & DOORS ARE INSTALLED, PLACE DOORS IN FINAL POSITION, LOCATE AND INSTALL CST-100 STOP AS REQUIRED.



**K.N. CROWDER MFG. INC.**  
1220 BURLOAK DRIVE  
BURLINGTON, ONTARIO, CANADA, L7L 6B3  
TELEPHONE: 905-315-9788 - FAX: 905-315-8090  
TOLL FREE FAX: 1-800-567-0123

**K.N. CROWDER INC.**  
210 EIGHTH STREET SOUTH  
LEWISTON, NEW YORK, U.S.A. 14092  
TELEPHONE: 1-716-754-8247  
TOLL FREE FAX: 1-800-567-0123

WEBSITE: [www.kncrowder.com](http://www.kncrowder.com) --- E-MAIL: [customerservice@kncrowder.com](mailto:customerservice@kncrowder.com)