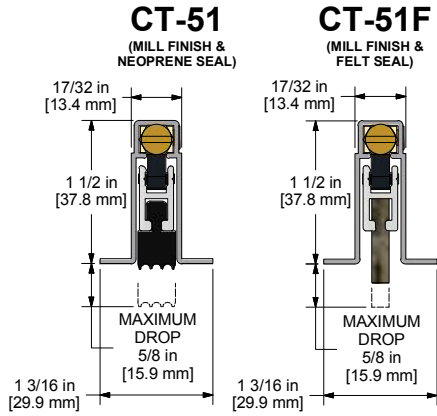


CT-51 & CT-53 AUTOMATIC DOOR BOTTOMS INSTALLATION INSTRUCTIONS

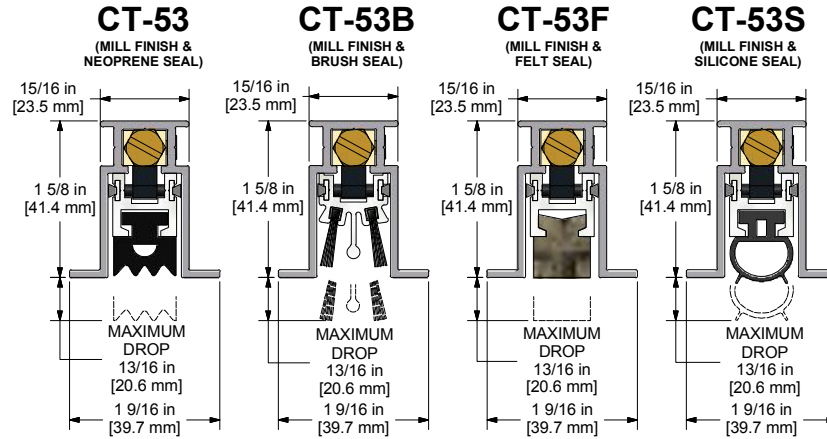


FULLY MORTISED MOUNTING AUTOMATIC DOOR BOTTOMS

REGULAR DUTY

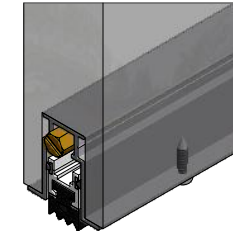


HEAVY DUTY

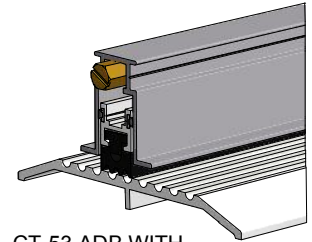


**DOOR CUT-OUT FOR CT-51 & CT-51F
AUTOMATIC DOOR BOTTOMS
= 9/16"W X 1-1/2"H**

**DOOR CUT-OUT FOR CT-53, CT-53B, CT-53F & CT-53S
AUTOMATIC DOOR BOTTOMS
= 31/32"W X 1-5/8"H**



FULL MORTISED:
CUT TO FULL WIDTH
OF THE DOOR.



CT-53 ADB WITH
CT-10 THRESHOLD

TURN COUNTERCLOCKWISE TO MAKE SEAL DROP MORE (CLOSE LARGER GAP)

TURN CLOCKWISE TO MAKE SEAL DROP LESS (SMALLER GAP)

ADJUSTING NUT/PLUNGER

MOUNTING HOLES (WHEN TRIMMING, IF MOUNTING HOLE IS CUT OFF, USE 9/64" DRILL BIT AND REDRILL WHERE NECESSARY)

PLUG SCREW DO NOT CUT PAST

LOCK SIDE OF DOOR

TRIMMING:

AUTOMATIC DOOR BOTTOMS CAN BE

CUT DOWN ON THE LOCK SIDE ONLY, OPPOSITE OF THE ADJUSTING NUT (PLUNGER).

- 24" SIZES CAN ONLY BE CUT DOWN UP TO 3" [76mm]

- ALL OTHER SIZES CAN BE CUT DOWN UP TO 6" [152mm]

- 12" & 18" SIZES CAN BE CUT DOWN TO WITHIN 1/2" OF PLUG SCREW LOCATION.

*****SEE NOTE ON LEFT BEFORE CUTTING*****

NOTE: PRESSURE PLATE MOVES Laterally APPROXIMATELY 1/4". ENSURE THAT THE PRESSURE PLATE IS EXTENDED FULLY TO THE LOCK SIDE, BEFORE TRIMMING

HOW TO INSTALL:

FOR MORTISED APPLICATIONS, DOORS MUST BE PREPARED IN ADVANCE. SEE DIMENSIONS AND NOTES ABOVE FOR PROPER CUT-OUT DIMENSIONS. SEE ABOVE RIGHT FOR THE AUTOMATIC DOOR BOTTOM LENGTHS BASED ON MORTISED APPLICATIONS.

THE ADJUSTING NUT/PLUNGER MUST BE INSTALLED ON THE HINGE SIDE OF THE DOOR FOR ALL MOUNTING APPLICATIONS.

FINAL ADJUSTMENT:

TURN ADJUSTING NUT COUNTERCLOCKWISE OR CLOCKWISE, AS PER ABOVE LEFT, TO ENSURE SEAL MAKES CONTACT WITH SILL/FLOOR. A FULLY COMPRESSED SEAL IS NOT RECOMMENDED, NOR IS IT NECESSARY AND WILL INHIBIT PROPER OPERATION. SEAL SHOULD SIMPLY MAKE CONTACT WITH SILL/FLOOR.



K.N. CROWDER MFG. INC.
1220 BURLOAK DRIVE
BURLINGTON, ONTARIO, CANADA, L7L 6B3
TELEPHONE: 905-315-9788 - FAX: 905-315-8090
TOLL FREE PHONE: 1-866-999-1KNC (1562)
TOLL FREE FAX: 1-800-567-0123