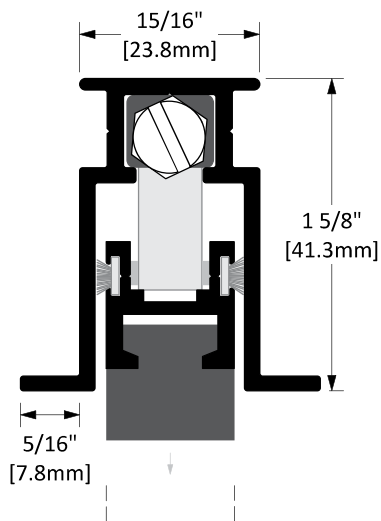


CT-53F



Operation	Automatic Door Bottom
Features	<ul style="list-style-type: none"> • Mill Finish Extruded Aluminum with Felt • Maximum effective drop: 11/16" [17.5mm]
Application	<ul style="list-style-type: none"> • Ideal for Residential, Commercial & Industrial

Customer Name: _____ Job No./Name: _____ Date: _____ Provided By: _____

Notes:

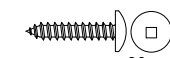
OPTSTD

Finish Options

- Mill Finish
- Black Anodized

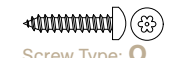
Standard

Screw Options



Screw Type: **N**
#6 X 3/4" Stainless Steel Truss Head, Robertson Drive, Type A Screws

Optional



Screw Type: **O**
#6 X 3/4" Stainless Steel Button Head, Tamper-Resistant Torx Drive, Type A Screws