

CT-610



OPTSTD

FINISHES


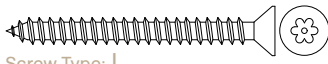
- Mill Finish
- Special _____

SCREW OPTIONS

Standard

-  Screw Type: G
3/16" X 1-3/4" Hi-Lo Tapping Thread, Grey
Phillips/Robertson Combo Drive, Concrete Screws
(5/32" pre-drill required)

Optional

-  Screw Type: H
#10 X 1-3/4" Stainless Steel Flat Head, Robertson
Drive, Type A Screws
(complete with nylon anchor)
-  Screw Type: I
#10 X 2" Stainless Steel Flat Head,
Tamper-Resistant Torx Drive, Type A Screws
(complete with nylon anchor)



Operation: Threshold
Features: Mill Finish Extruded Aluminum
Application: Ideal for Residential, Commercial & Industrial
Maximum Length: 156 in [3962 mm]

Customer Name _____ Job No./Name _____ Date _____ Provided By _____

Notes



1220 Burloak Drive, Burlington, Ontario, Canada, L7L 6B3
T. 1-866-999-1562 customerservice@kncrowder.com kncrowder.com
© 2020-2025 K.N. Crowder Mfg. Inc. All Rights Reserved.