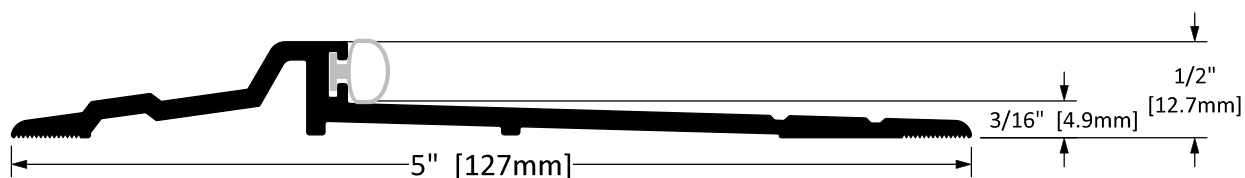



CT-72





Finish Options

- STD** Mill Finish
- OPT** Bronze Anodized
- OPT** Black Anodized
- OPT** Clear Anodized

Screw Options

- Standard**


Screw Type: **G**
 3/16" X 1-3/4" Hi-Lo Tapping Thread, Grey
 Phillips Drive, Concrete Screws
 (5/32" Pre-Drill Required)
- Optional**


Screw Type: **H**
 #10 X 1-3/4" Stainless Steel Flat Head,
 Robertson Drive, Type A Screws
 (Complete With Nylon Anchor)
- Optional**


Screw Type: **I**
 #10 X 2" Stainless Steel Flat
 Head, Tamper-Resistant Torx
 Drive, Type A Screws
 (Complete With Nylon Anchor)

Operation	Seal Threshold
Features	Mill Finish Extruded Aluminum with Silicone
Application	Ideal for Residential, Commercial & Industrial

Customer Name: _____ Job No./Name: _____ Date: _____ Provided By: _____

Notes: