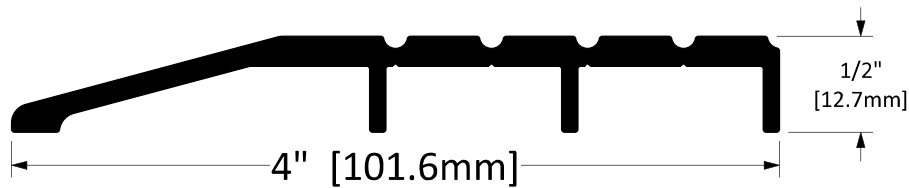



CT-804




Finish Options


- STD** Mill Finish
- OPT** Bronze Anodized
- OPT** Black Anodized
- OPT** Clear Anodized

Screw Options

- Standard**


Screw Type: **G**
 3/16" X 1-3/4" Hi-Lo Tapping Thread, Grey Phillips Drive, Concrete Screws (5/32" Pre-Drill Required)
- Optional**


Screw Type: **H**
 #10 X 1-3/4" Stainless Steel Flat Head, Robertson Drive, Type A Screws (Complete With Nylon Anchor)



Screw Type: **I**
 #10 X 2" Stainless Steel Flat Head, Tamper-Resistant Torx Drive, Type A Screws (Complete With Nylon Anchor)

Operation	Threshold
Features	Mill Finish Extruded Aluminum
Application	Ideal for Residential, Commercial & Industrial

Customer Name: _____ Job No./Name: _____ Date: _____ Provided By: _____

Notes: