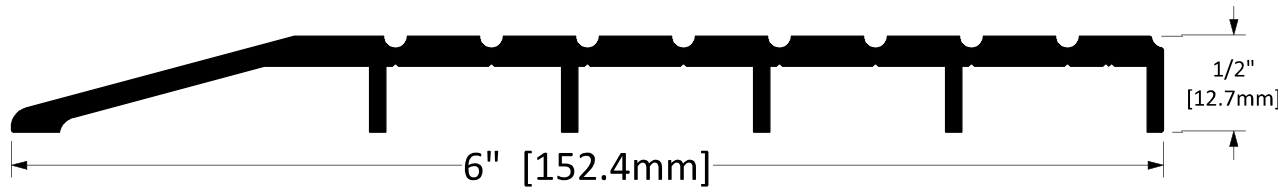


# CT-806




# KNC




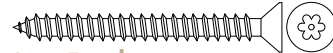
## Finish Options

- STD** Mill Finish
- OPT** Bronze Anodized
- OPT** Black Anodized
- OPT** Clear Anodized

## Screw Options

- Standard**


Screw Type: **G**  
 3/16" X 1-3/4" Hi-Lo Tapping Thread, Grey Phillips Drive, Concrete Screws (5/32" Pre-Drill Required)
- Optional**


Screw Type: **H**  
 #10 X 1-3/4" Stainless Steel Flat Head, Robertson Drive, Type A Screws (Complete With Nylon Anchor)
- Optional**


Screw Type: **I**  
 #10 X 2" Stainless Steel Flat Head, Tamper-Resistant Torx Drive, Type A Screws (Complete With Nylon Anchor)

<b>Operation</b>	Threshold
<b>Features</b>	<ul style="list-style-type: none"> <li>• Mill Finish Extruded Aluminum</li> </ul>
<b>Application</b>	<ul style="list-style-type: none"> <li>• Ideal for Residential, Commercial &amp; Industrial</li> </ul>

Customer Name: \_\_\_\_\_ Job No./Name: \_\_\_\_\_ Date: \_\_\_\_\_ Provided By: \_\_\_\_\_

Notes: