

# CT-910




OPTSTD

## FINISHES

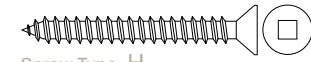
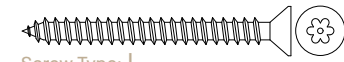
- Mill Finish
- Special \_\_\_\_\_

## SCREW OPTIONS

Standard

-  Screw Type: G  
3/16" X 1-3/4" Hi-Lo Tapping Thread, Grey  
Phillips/Robertson Combo Drive, Concrete Screws  
(5/32" pre-drill required)

Optional

-  Screw Type: H  
#10 X 1-3/4" Stainless Steel Flat Head, Robertson  
Drive, Type A Screws  
(complete with nylon anchor)
-  Screw Type: I  
#10 X 2" Stainless Steel Flat Head,  
Tamper-Resistant Torx Drive, Type A Screws  
(complete with nylon anchor)



**Operation:** Threshold  
**Features:** Mill Finish Extruded Aluminum  
**Application:** Ideal for Residential, Commercial & Industrial  
**Maximum Length:** 192 in [4877 mm]

Customer Name \_\_\_\_\_ Job No./Name \_\_\_\_\_ Date \_\_\_\_\_ Provided By \_\_\_\_\_

Notes