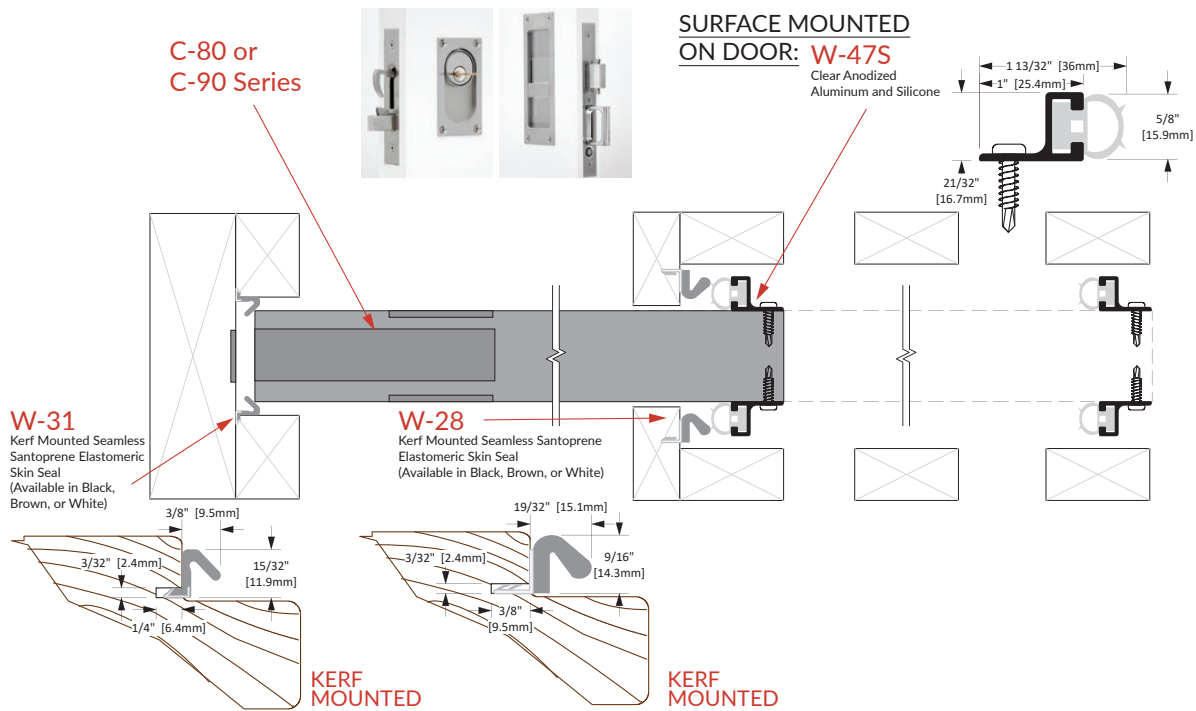
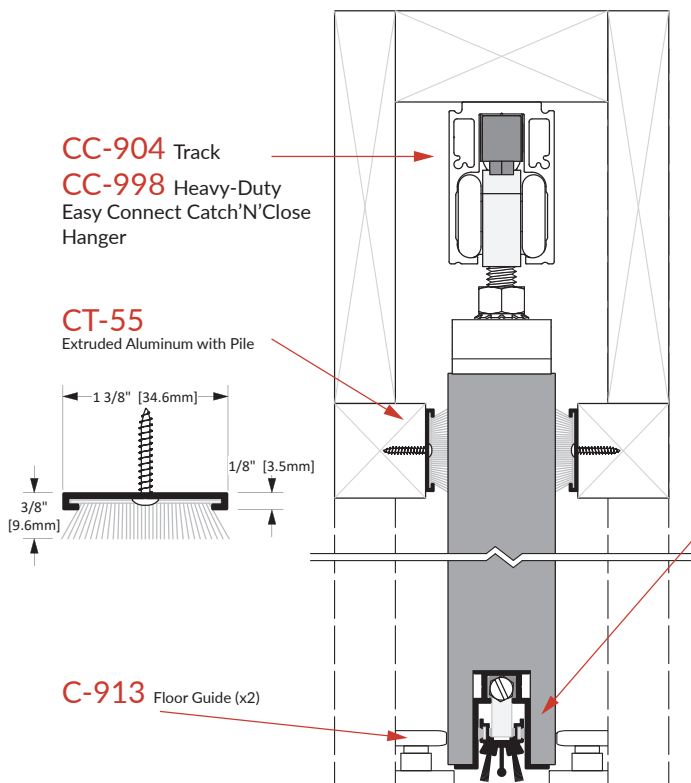




LOCKING & LATCHING SOUND SEALING POCKET DOORS USING KNC WEATHERSTRIP PRODUCTS



WEATHERSTRIP & AUTOMATIC DOOR BOTTOM OPTIONS



USING KNC'S AUTOMATIC DOOR BOTTOMS ON SLIDING DOORS

In order to use KNC's Automatic Door Bottoms, a sliding door lock must be installed to pull and hold the door shut which in turn will activate the ADB's plunger (see above for details). Two **C-913** Floor Guides will be required; one on each side of the door.

For more information on Automatic Door Bottoms please visit : kncrowder.com/autodoor

NOTES: Pocket framing, header, and trim work by others.

