

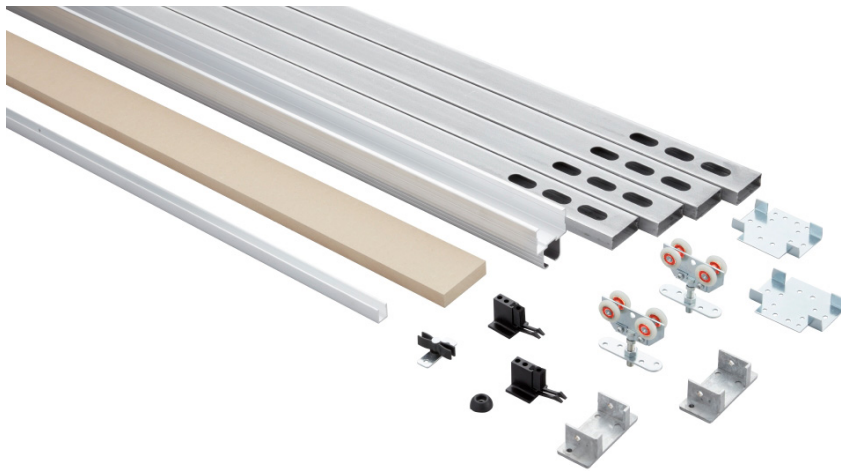
TYPE B-B



FEATURES

- 125 lbs. [56 kg] weight capacity
- For doors wider than 18 in [457 mm]
- Nylon wheels and precision ball bearings provide smooth and quiet door operation
- Crowder Frame pocket door kit including header track, header brackets, steel uprights and foot brackets to build a pocket on site
- Cycle tested for up to 150,000 cycles without fail
- ADA Compliant (Barrier-free) design

COMPLETE 1 DOOR KIT BREAKDOWN



Each kit includes one CP-803 Header Track x length based on kit size, two CP-HB2X4 Header Brackets, two CP-830 Drywall Support x length based on kit size, four Steel Uprights x length based on kit size, two CP-2X4 Foot Brackets, two C-400 Hangers, two CDC-400 Catch/Stops, one C-201 Guide Channel x length based on kit size, one CP-200 Pocket Guide and necessary fasteners

Door Width

18 in [457 mm] to 36 in [914 mm] wide

Door Height

80 in [2032 mm] to 84 in [2134 mm]
or 2150 mm high

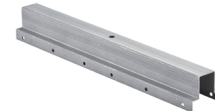
92 in [2337 mm] to 96 in [2438 mm]
or 2455 mm high

OPTIONAL

Door Locks & Pulls



Add-On Products



CPD-2X4-Joiner Kit

Use for applications where double bi-parting door openings are required. Two single Crowder Frame kits are required in order to use the joiner kit.

Customer Name

Job No./Name

Date

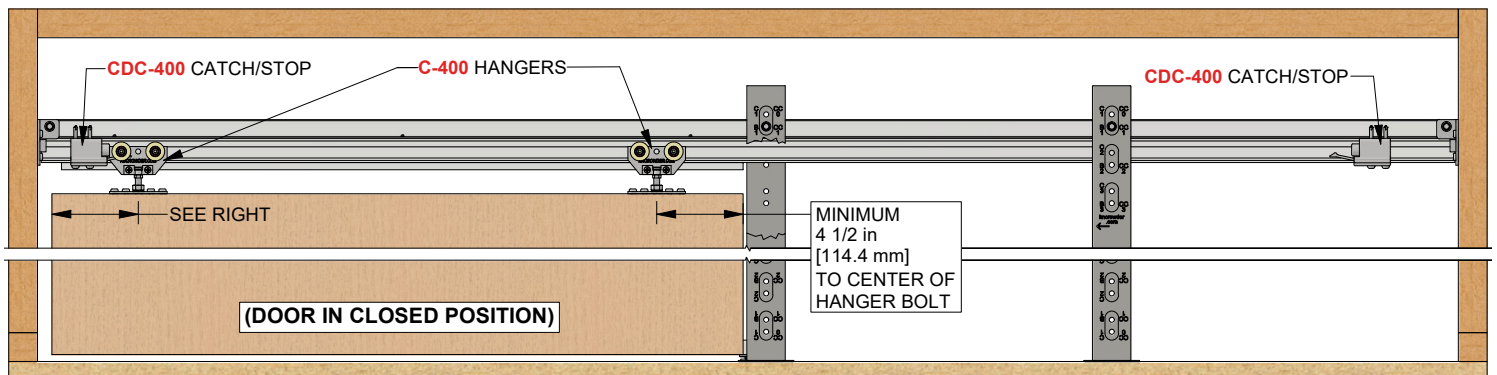
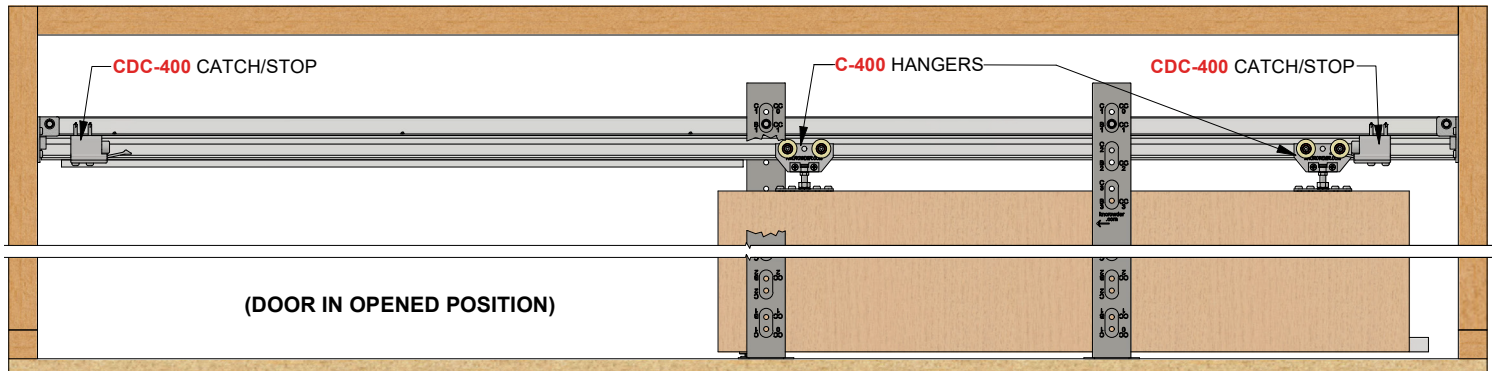
Provided By

Notes

TYPE B-B

KNC

COMPLETE ELEVATION VIEW



Customer Name

Job No./Name

Date

Provided By

Notes

KN Crowder

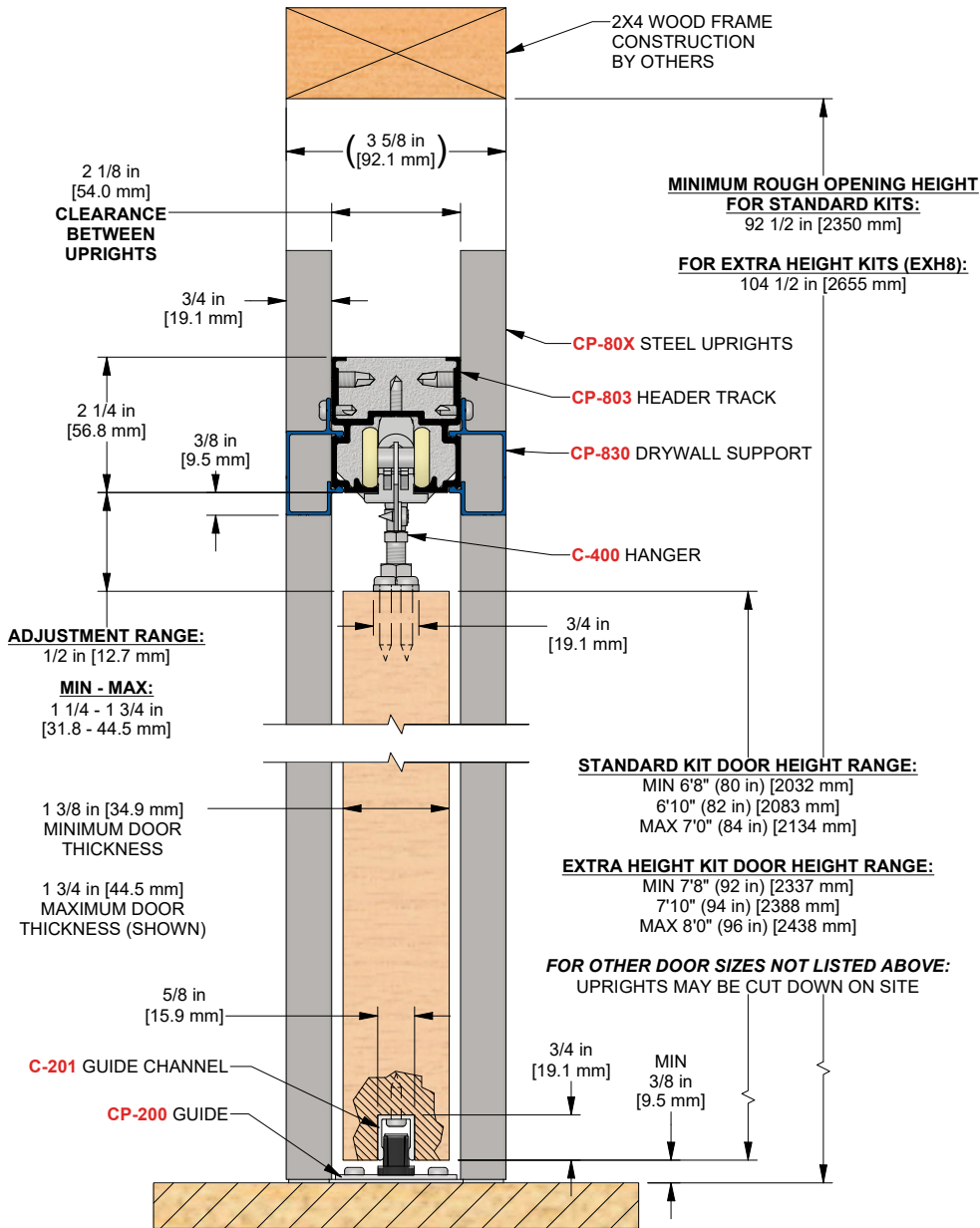
1220 Burloak Drive, Burlington, Ontario, Canada, L7L 6B3
T. 1-866-999-1562 customerservice@kncrowder.com
© 2020-2023 K.N. Crowder Mfg. Inc. All Rights Reserved.

kncrowder.com

TYPE B-B



PRODUCT DIMENSIONS



Installation Instructions



Customer Name

Job No./Name

Date

Provided By

Notes