

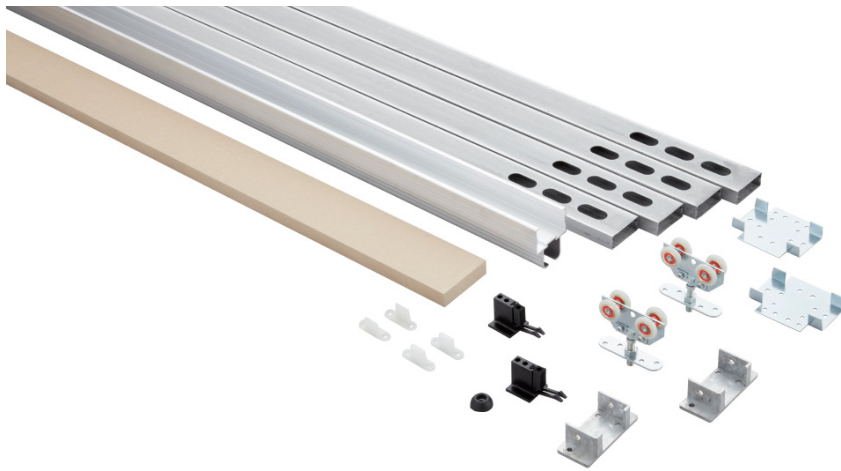
TYPE B



FEATURES

- 125 lbs. [56 kg] weight capacity
- For doors wider than 18 in [457 mm]
- Nylon wheels and precision ball bearings provide smooth and quiet door operation
- Crowder Frame pocket door kit including header track, header brackets, steel uprights and foot brackets to build a pocket on site
- Cycle tested for up to 150,000 cycles without fail
- ADA Compliant (Barrier-free) design

COMPLETE 1 DOOR KIT BREAKDOWN



Each kit includes one CP-803 Header Track x length based on kit size, two CP-HB2X4 Header Brackets, two CP-830 Drywall Support x length based on kit size, four Steel Uprights x length based on kit size, two CP-2X4 Foot Brackets, two C-400 Hangers, two CDC-400 Catch/Stops, set of C-1200 Guides and necessary fasteners

Door Width

18 in [457 mm] to 36 in [914 mm] wide

Door Height

80 in [2032 mm] to 84 in [2134 mm]
or 2150 mm high
92 in [2337 mm] to 96 in [2438 mm]
or 2455 mm high

OPTIONAL

Door Locks & Pulls



Add-On Products



CPD-2X4-Joiner Kit

Use for applications where double bi-parting door openings are required. Two single Crowder Frame kits are required in order to use the joiner kit.

Customer Name

Job No./Name

Date

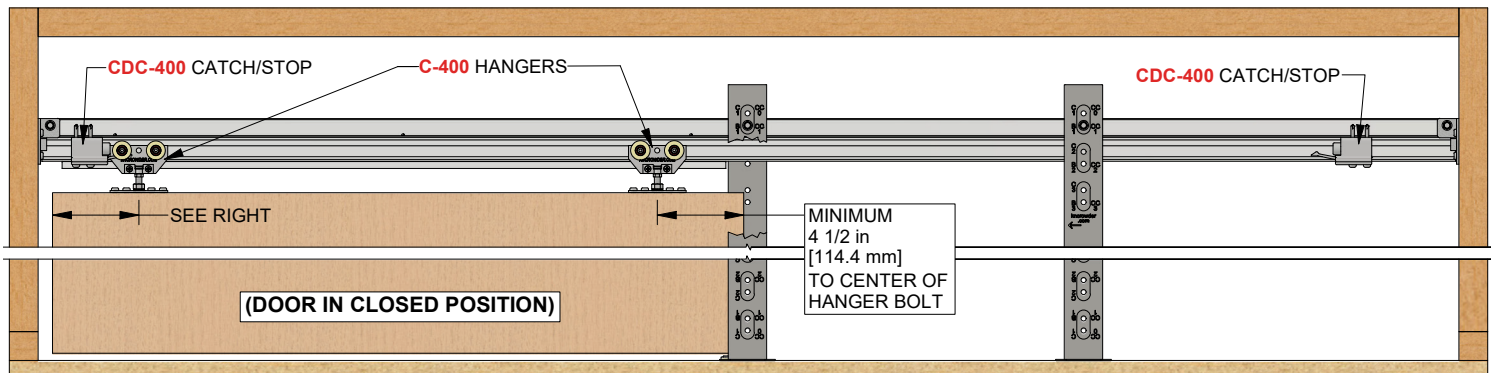
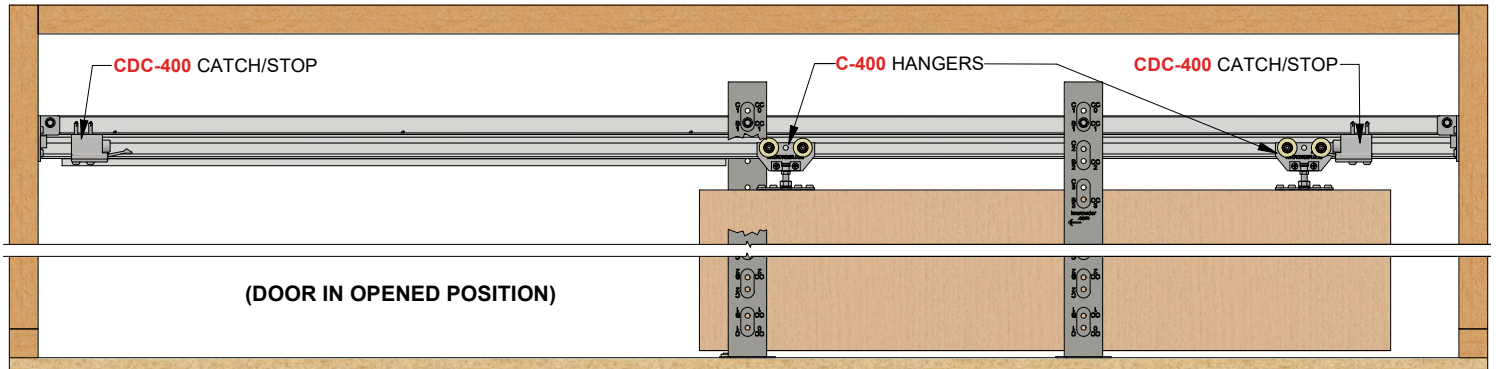
Provided By

Notes

TYPE B



COMPLETE ELEVATION VIEW



Customer Name

Job No./Name

Date

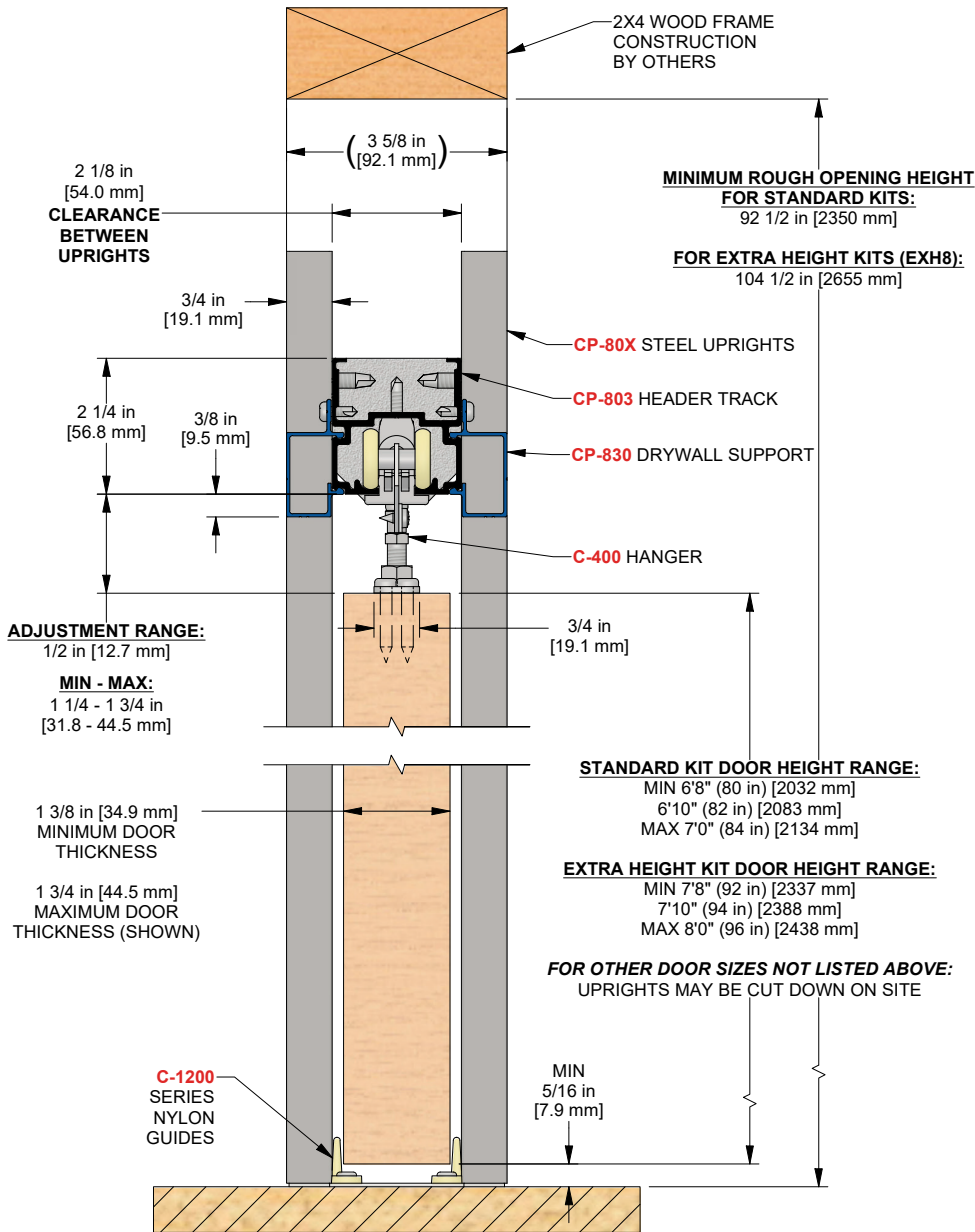
Provided By

Notes

TYPE B



PRODUCT DIMENSIONS



Installation Instructions



Customer Name

Job No./Name

Date

Provided By

Notes