

Type CC-NRW-2X6

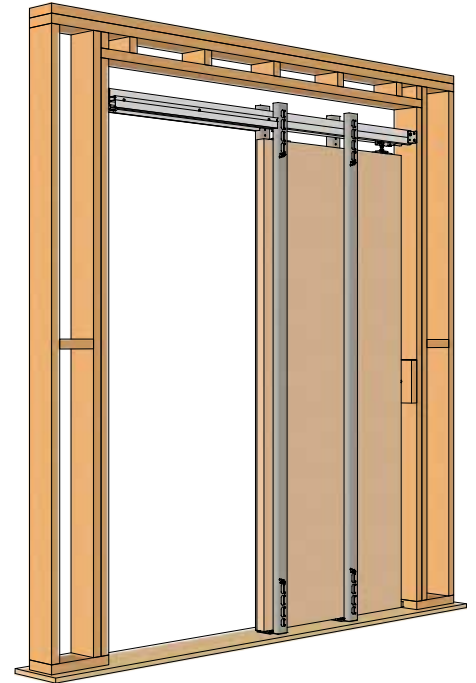
Installation Instructions

For doors 18 in [457 mm] to 30 in [762 mm] wide

KNC
Catch 'N' Close

Crowder Frame System

- Crowder Frame is a complete pocket door kit system that includes roll-formed steel uprights, to build the pocket for 2X6 wall construction
- The complete Crowder Frame kit provides quicker and easier installation than a traditional pocket built on-site
- Integrating our best-selling Catch 'N' Close system prevents bouncing and slamming of the sliding door
- Catch 'N' Close can be installed on both opening and closing ends of doors
- Cycle tested up to 150,000 times
- Up to 150 lbs. [68 kg] doors (Type CC-1NRW-2X6) or 75 lbs. [34 kg] doors (Type CC-75NRW-2X6)
- This installation instructions is suitable for doors 18 in [457 mm] to less than 30 in [762 mm] wide and 80 in [2032 mm] to 120 in [3048 mm] high and 1 3/4 in [44.5 mm] to 2 1/2 in [63.5 mm] thick
- For double/bi-parting doors, use two single door kits with **CPD-2X6-Joiner Kit** accordingly, refer to installation instructions **CPD-2X6-Joiner Kit**
- Complete with **C-914** Guide Channel & **CP-913** Pocket Guide system
- It is strongly recommended to use edge pulls or door locks with integrated edge pulls and flush pulls for easy operation of pocket doors, visit <http://www.kncrowder.com/doorlocks-pulls/> for options
- KN Crowder recommends: **C-90L-ET** privacy lockset, **C-90L-CT** security lockset or **C-91-BB** passage set



Complete Type CC-NRW-2X6 kit illustrated. Framing by others.

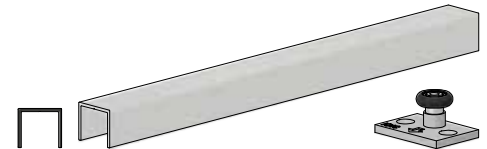


Table of Contents

Product Details & Dimensions

- 2 Section View
- 3 Plan View & Elevation View
- 4 Parts' List

Required Pre-Installation

- 6 Rough Opening Size

Installation

- 7 Installing with Door Prior to Drywall
- 13 Troubleshooting
- 14 Installing Drywall Prior to Door

Suggested Finishing & Dimensions

- 17 Section View
- 18 Plan View
- 18 Finishing Steps

Template

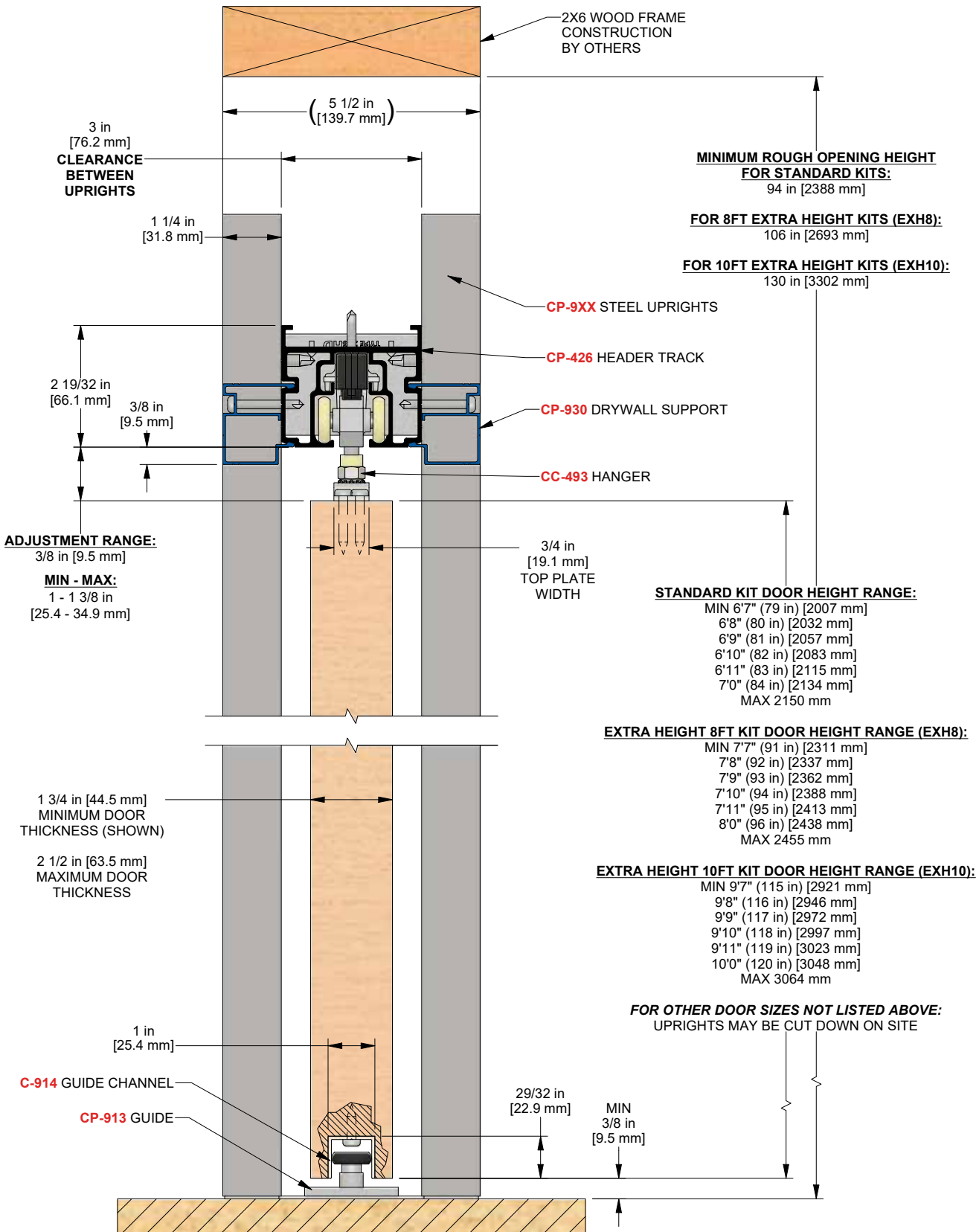
- 19 Top Plate Location

Overview

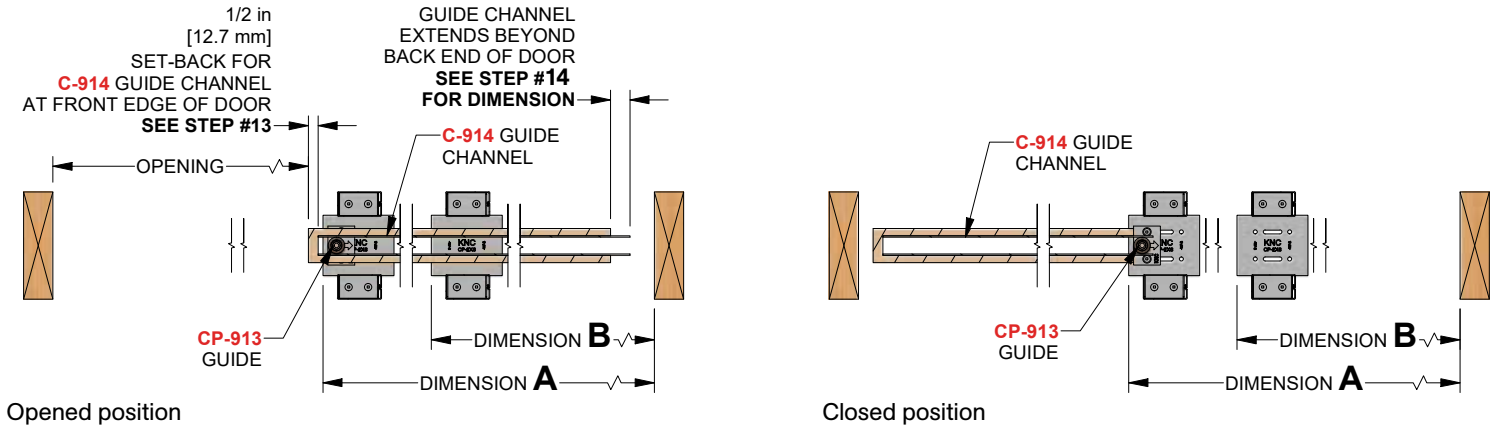
- 20 How It All Comes Together

Product Details & Dimensions

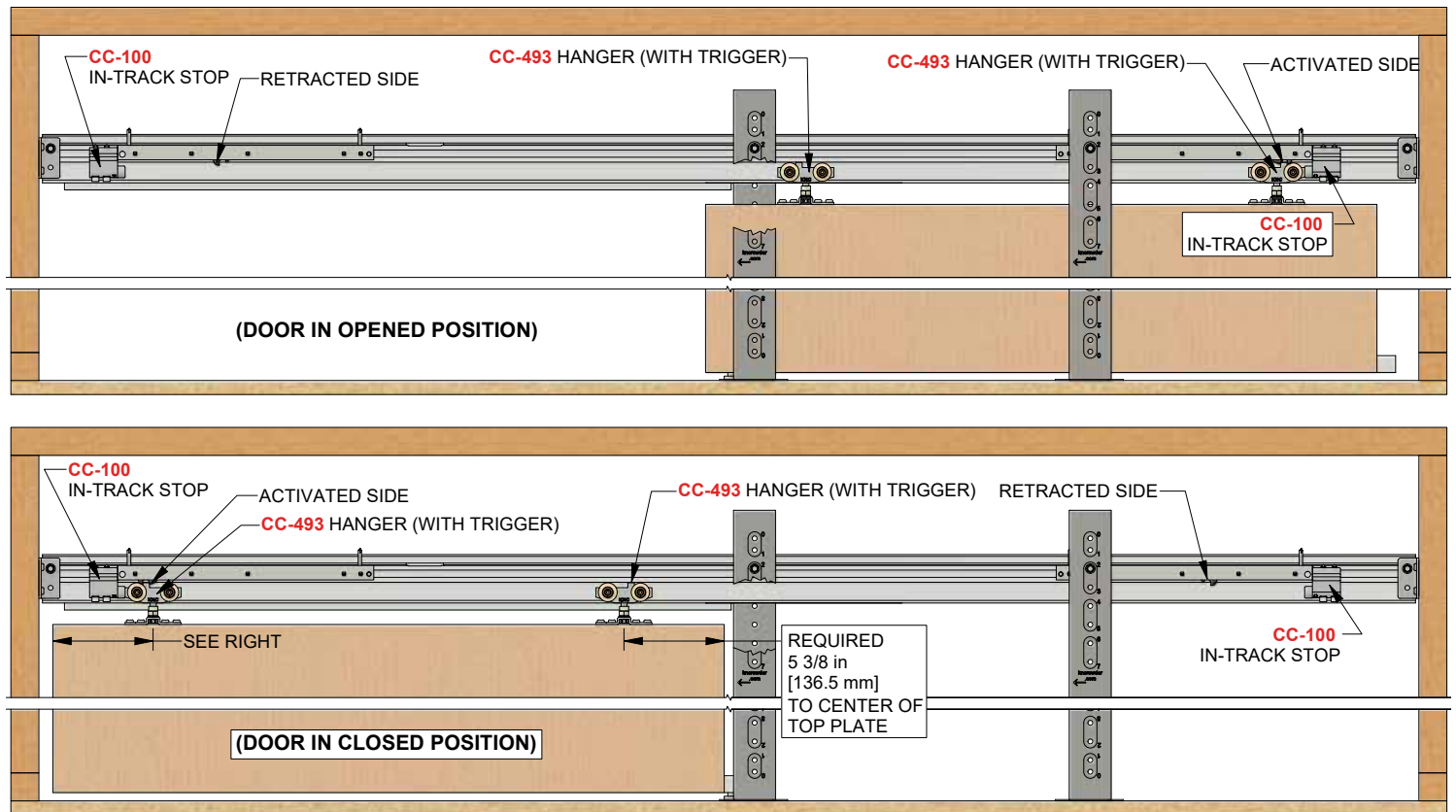
Section View



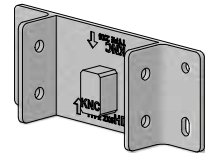
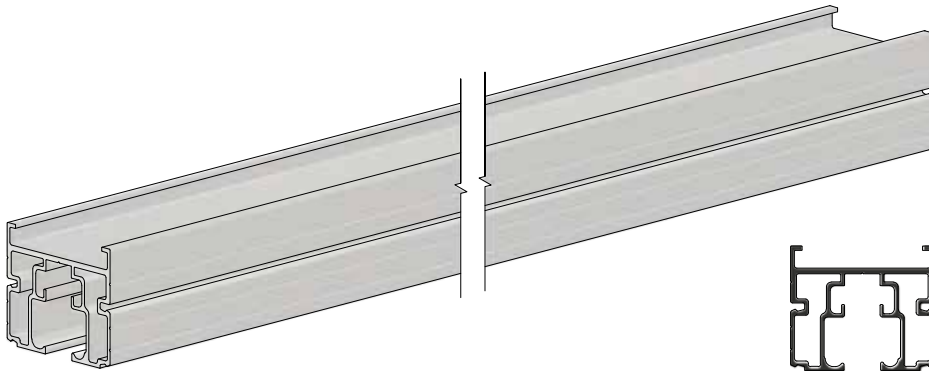
Plan View



Elevation View



Parts' List

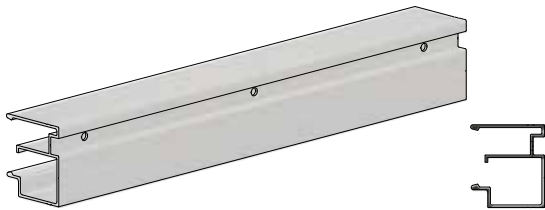


CP-HB2X6 Header Bracket (2)

CP-426 Header Track x (length options listed below)

For Type CC-NRW-2X6 for doors less than 30 in [762 mm] wide:

(1) piece x 73 5/8 in [1870 mm]

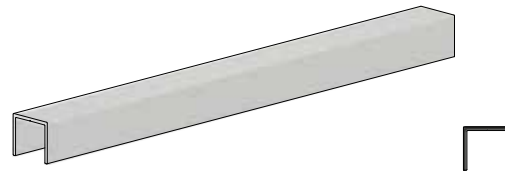


CP-930 Drywall Support x

(quantity and length options listed below)

For Type CC-NRW-2X6 for doors less than 30 in [762 mm] wide:

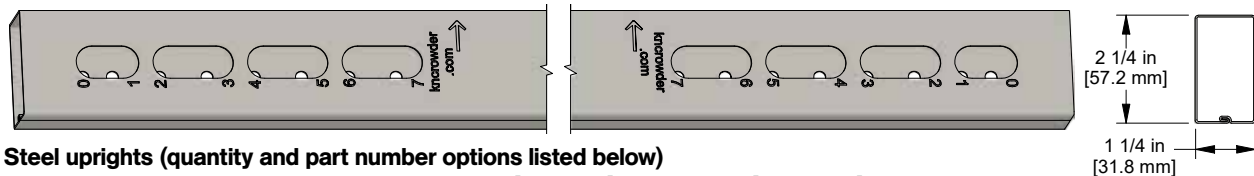
(2) pieces x 35 3/4 in [908 mm]



C-914 Guide Channel x length (1)

(Length = door width + 1/2 in [12.7 mm], example:

30 in [762 mm] door = 30 1/2 in [774.7 mm] guide channel)



Steel uprights (quantity and part number options listed below)

For Type CC-NRW-2X6 for doors less than 30 in [762 mm] wide x 84 in [2134 mm]/2150 mm high:

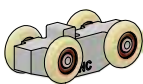
(4) CP-907 Steel Upright (90 1/2 in [2299 mm] long)

For Type CC-NRW-2X6-EXH8 for doors less than 30 in [762 mm] wide x 96 in [2438 mm]/2455 mm high:

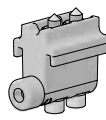
(4) CP-908 Steel Upright (102 1/2 [2604 mm] long)

For Type CC-NRW-2X6-EXH10 for doors less than 30 in [762 mm] wide x 120 in [3048 mm] high:

(4) CP-910 Steel Upright (126 1/2 in [3213 mm] long)



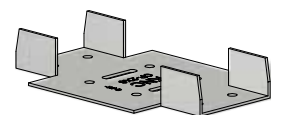
CC-400 Hanger Body (2)
(c/w wheels)



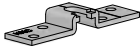
**CC-100 Catch 'N' Close
In-Track Stop (2)**



CP-913 Pocket Guide (1)



CP-2X6 Foot Bracket (2)



C-493 Top Plate (2)



C-493 Easy Connect Stud (2)



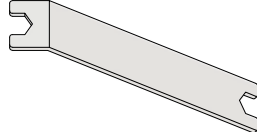
5/16"-18 K-Lock Nut (2)
[FT17]



**5/16" X 1/4" Flat
Nylon Washer (2)**
[FT48]



C-AR93 Adjustment Rod (1)



CP Adjustment Wrench (1)



C-99 Rubber Dome Bumper (1)



3/16" Spacer Washer (8)
[FT12]



**1/4"-#14 x 3/4"
Hex Tek Screw (14)**
[FT36]



CC-75 or CC-1 Catch 'N' Close Closing Device (2)
(see details in instruction steps)



**#6 x 1" Fine Thread
Drywall Screw (60)**
[FT30]



**#10 x 3/4" Pan
Head Screw (16)**
[FT3]



**#10 x 1-1/4" Pan
Head Screw (17)**
[FT4]



#10 x 1-1/2" Flathead Screw (2)
[FT7]



**#10 x 1-1/2"
Self-Drilling Screw (12)**
[FT5]

* Extra hardware may be included

Tools required (not supplied)

Ladder
Measuring Tape
Chalk Line
Chop Saw or Hacksaw
(for cutting aluminum)

Level
Pencil
Marker
Drill
Impact Driver

Ø1/8 in drill bit
Ø9/64 in drill bit
3/8 in Hex driver bit
#2 Robertson driver bit

#2 Robertson screw driver
1/2 in Wrench
Rubber Mallet
Air Gun or Cloth

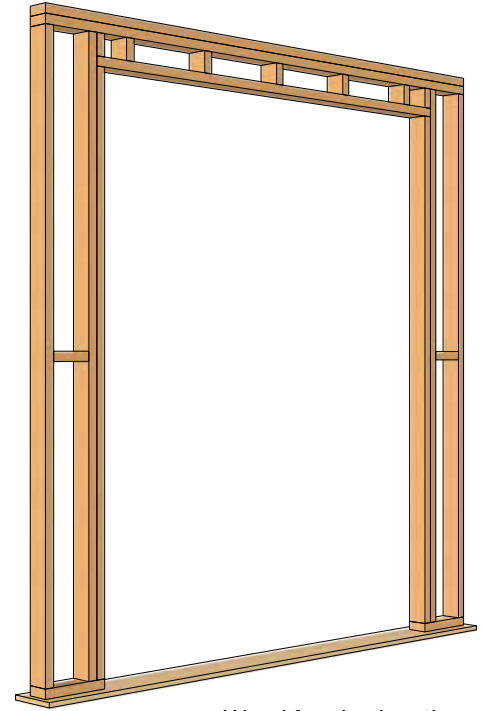
Required Pre-Installation

Note: Read carefully - contains information which if not followed may void warranty or cause injury to users

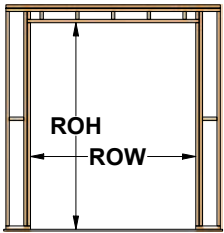
All testing on this product has been completed with 2X6 (5 1/2 in [139.7 mm]) lumber framing studs for rough opening to provide sufficient structural support for Crowder Frame pocket door kits. (Framing details may differ based on region. Refer to your region's building codes for framing details). If any materials or support other than 2X6 lumber framing is to be used for structural support, verification by a certified structural engineer is required.

For 6 in [152.4 mm] metal stud framing, please refer to KN Crowder's 6MS Crowder Frame pocket door kits for details.

KN Crowder is not responsible for framing details. KN Crowder's warranty will not cover any issues that result from incorrect structural support/framing details.



Wood framing by others



Single door opening

Rough opening height (ROH) from finished floor:

At least 94 in [2388 mm] high for doors up to 84 in (7'-0") or 2150 mm

At least 106 in [2693 mm] high for doors up to 96 in (8'-0") or 2455 mm (-EXH8 kits)

At least 130 in [3302 mm] high for doors up to 120 in (10'-0") or 3064 mm (-EXH10 kits)

Double/bi-parting door opening

Refer to CPD-2X6-Joiner Kit installation instructions [Chart CPD-2X6-A](#) for rough opening sizes

Chart A: Rough opening size & track length

Door width			Rough opening width (ROW):		CP-426 track length required:	
18 in	(1'-6")	[457 mm]	38 in	[965 mm]	37 5/8 in	[956 mm]
20 in	(1'-8")	[508 mm]	42 in	[1067 mm]	41 5/8 in	[1057 mm]
22 in	(1'-10")	[559 mm]	46 in	[1168 mm]	45 5/8 in	[1159 mm]
24 in	(2'-0")	[610 mm]	50 in	[1270 mm]	49 5/8 in	[1261 mm]
26 in	(2'-2")	[660 mm]	54 in	[1372 mm]	53 5/8 in	[1362 mm]
28 in	(2'-4")	[711 mm]	58 in	[1473 mm]	57 5/8 in	[1464 mm]
30 in	(2'-6")	[762 mm]	62 in	[1575 mm]	61 5/8 in	[1565 mm]

Track length
equal to:
2x door width
+
1 5/8 in
[41.3 mm]

Installation Steps

If Installing with Door Prior to Drywall

Step #1:

On one side of rough opening, secure one CP-HB2X6 Header Bracket (orientation as shown below in detail "HB") to jamb with (4) #10 x 1 1/4" Pan Head Screws [FT4] at required height based on **Chart B**.

Header bracket height:

Dimensions shown below for header bracket height are taken from finished floor. If finished floor will be installed after pocket door kit, add finished floor thickness to header bracket height.

Example: 84 in [2134 mm] high door with 3/4 in thick floor = 88 in [2235 mm] + 3/4 in [19.1 mm] = 88 3/4 in [2254.2 mm] new header height from sub floor (below finished floor).

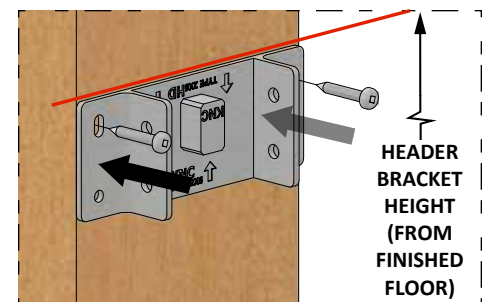
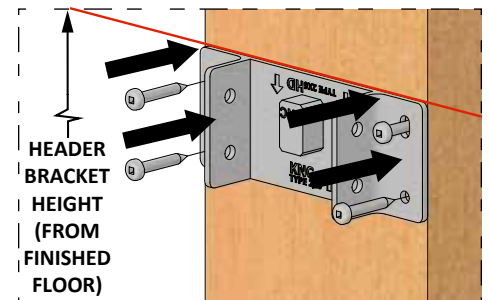
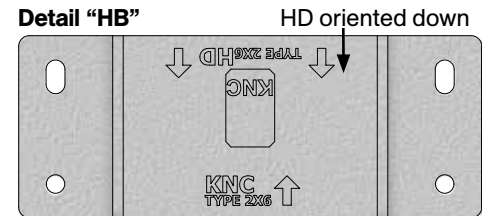
Note: Foot brackets must be shimmed to level of finished floor. See step #9 for details.

Step #2:

On opposite side of opening, secure second CP-HB2X6 Header Bracket to jamb at same header bracket height from **step #1** with (2) #10 x 1 1/4" Pan Head Screws [FT4] through two oblong holes on bracket. It is recommended to only secure this bracket with two screws to allow for plumb adjustment when installing track in **step #7**.

Chart B: Header Bracket height & upright hole slot ID

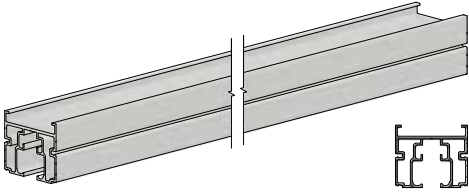
Door height			Header bracket height measurement from finished floor		Type C upright hole ID
79 in	(6'-7")	[2007 mm]	83 in	[2108 mm]	7
80 in	(6'-8")	[2032 mm]	84 in	[2134 mm]	6
81 in	(6'-9")	[2057 mm]	85 in	[2159 mm]	5
82 in	(6'-10")	[2083 mm]	86 in	[2184 mm]	4
83 in	(6'-11")	[2108 mm]	87 in	[2210 mm]	3
84 in	(7'-0")	[2134 mm]	88 in	[2235 mm]	2
85 in	(7'-1")	[2159 mm]	89 in	[2261 mm]	1
85 5/8 in	(7'-1 5/8")	[2175 mm]	89 5/8 in	[2277 mm]	0
Below for -EXH8 kits					
91 in	(7'-7")	[2311 mm]	95 in	[2413 mm]	7
92 in	(7'-8")	[2337 mm]	96 in	[2438 mm]	6
93 in	(7'-9")	[2362 mm]	97 in	[2464 mm]	5
94 in	(7'-10")	[2388 mm]	98 in	[2489 mm]	4
95 in	(7'-11")	[2413 mm]	99 in	[2515 mm]	3
96 in	(8'-0")	[2438 mm]	100 in	[2540 mm]	2
97 in	(8'-1")	[2464 mm]	101 in	[2565 mm]	1
97 5/8 in	(8'-1 5/8")	[2480 mm]	101 5/8 in	[2581 mm]	0
Below for -EXH10 kits					
115 in	(9'-7")	[2921 mm]	119 in	[3023 mm]	7
116 in	(9'-8")	[2946 mm]	120 in	[3048 mm]	6
117 in	(9'-9")	[2972 mm]	121 in	[3073 mm]	5
118 in	(9'-10")	[2997 mm]	122 in	[3099 mm]	4
119 in	(9'-11")	[3023 mm]	123 in	[3124 mm]	3
120 in	(10'-0")	[3048 mm]	124 in	[3150 mm]	2
121 in	(10'-1")	[3073 mm]	125 in	[3175 mm]	1
121 5/8 in	(10'-1 5/8")	[3089 mm]	125 5/8 in	[3191 mm]	0



Step #3:

Cut CP-426 aluminum header track to correct size as required.

Length is equal to 2x door width + 1 5/8 in [41.3 mm]. See column "CP-426 track length required" in **Chart A** for track lengths based on door widths.



!! Attention !!

For double/bi-parting door kits, refer to **steps #CPD-2 & CPD-3** in CPD-2X6-Joiner Kit instructions before proceeding.

Step #4:

Assemble CC-493 Catch 'N' Close hangers as shown to below:

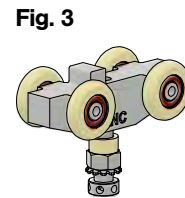
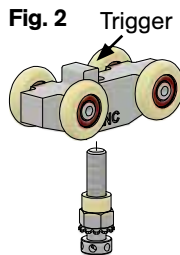
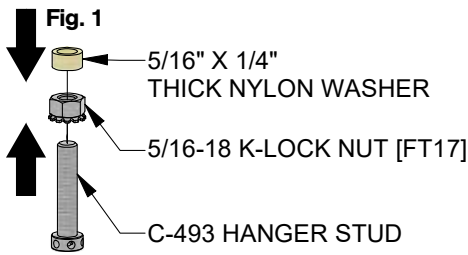
Fig. 1 Thread 5/16-18 K-Lock Nut onto C-493 Easy Connect Stud with lock washer facing bolt head.

Slide 5/16" x 1/4" Flat Nylon Washer onto bolt and rest against lock washer nut. (2 x required)

Note: Nylon washer must be installed to prevent damage to Catch 'N' Close Closing Devices.

Fig. 2 Thread assembly from fig. 1 into CC-400 Hanger Body from underside (side opposite the trigger), do not thread in fully.

Fig. 3 Completed CC-493 Hanger assembly (2 x required).



Step #5:

Slide one (1) CC-493 Hanger assembly (✱) with trigger facing end of track (as shown below) and one (1) CC-100 In-Track Stop (●) into each end of track.

Note: Leave screws on CC-100 In-Track Stops (●) loose to allow stops to slide freely within track. Rubber bumpers of each stop (●) should face inward (toward middle of track).

- ✱ CC-493 Hanger
- CC-100 In-Track Stops

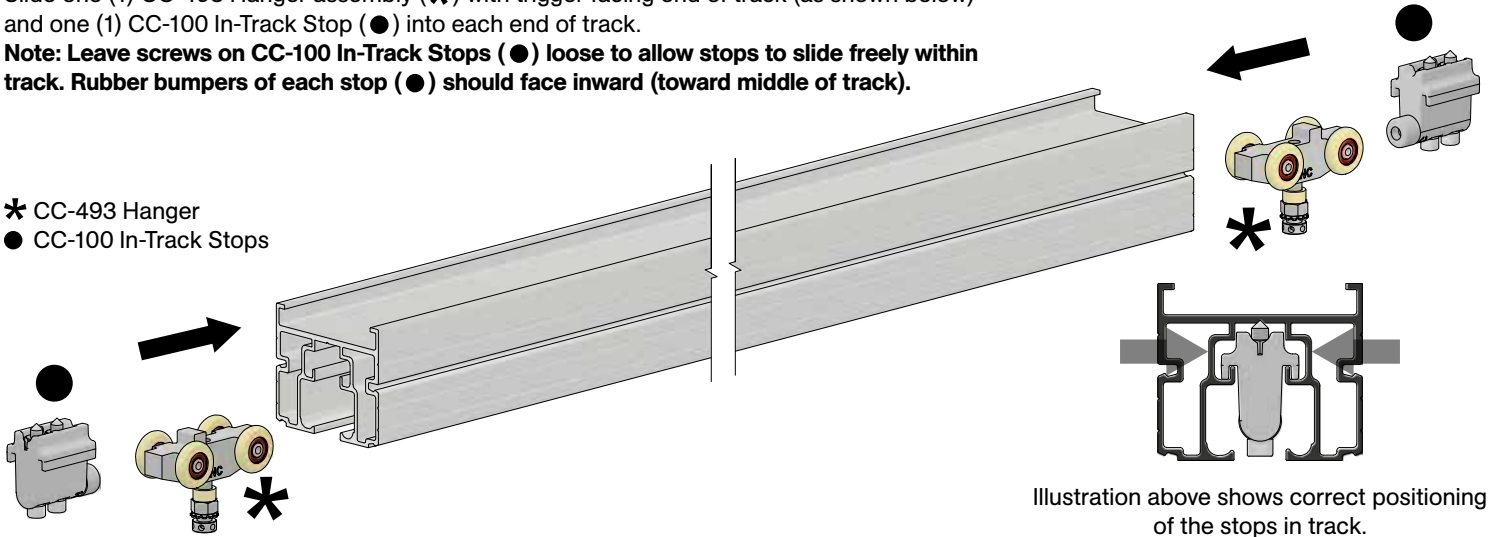
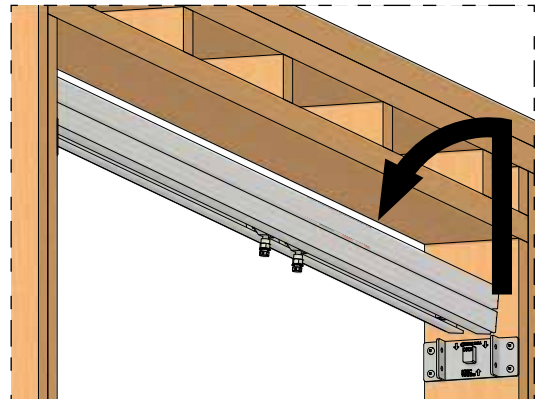
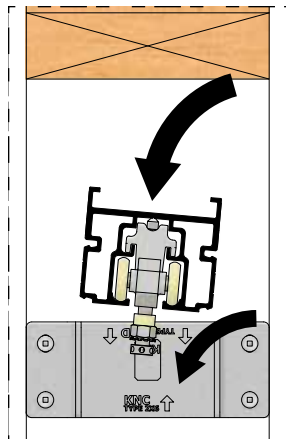


Illustration above shows correct positioning of the stops in track.

Step #6:

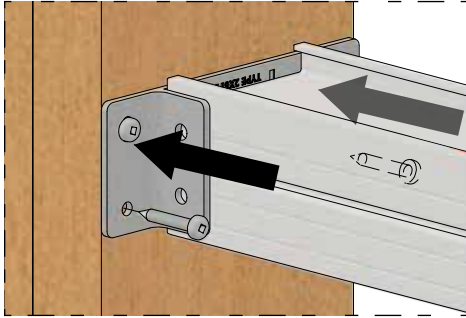
Place CP-426 Header Track c/w hangers and stops onto CP-HB2X6 Header Brackets previously placed in **steps #1 - 2**.

Note: Top of header track should sit flush with top of header brackets.



Step #7:

Check header track levelness and adjust loose CP-HD2X6 Header Bracket (**step #2**) until track is level. Secure CP-HB2X6 Header Bracket with (2) #10 x 1 1/4" Pan Head Screws [FT4].

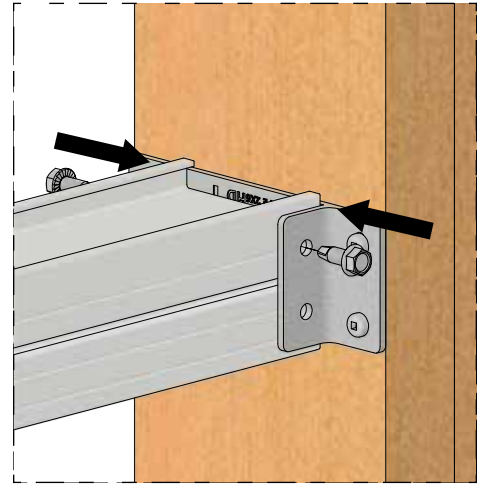


Step #8:

Secure CP-426 Header Track to CP-HB2X6 Header Brackets with (4) 1/4"-#14 x 3/4" Serrated Hex Tek Screws [FT36], two (2) per bracket.

Note: Impact driver is ideal for this step or pre-drill with Ø9/64 in [3.6 mm] drill bit if desired.

!! Attention !!
For double/bi-parting doors kits, refer to **steps #CPD-5 & CPD-6** in CPD-2X6-Joiner Kit installation instructions before proceeding.



Step #9:

Use a chalk line against bottom studs of wall to mark lines of opening on both sides as shown below. Locate and secure CP-2X6 Foot Brackets (2) with (2 per bracket) #10 x 3/4" Pan Head Screws [FT3] as per foot bracket location **Chart C** below.

Note: Foot brackets are reversible. Foot brackets are to be mounted on finished floor. If finished floor is not installed, shim foot brackets to thickness of finished floor. Foot bracket location dimensions are based on standard set-up and will accommodate suggested finishing as shown on pages 17-18.

For double/bi-parting doors kits, refer to **step #CPD-7** in CPD-2X6-Joiner Kit installation instructions before proceeding.

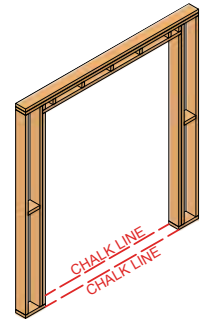
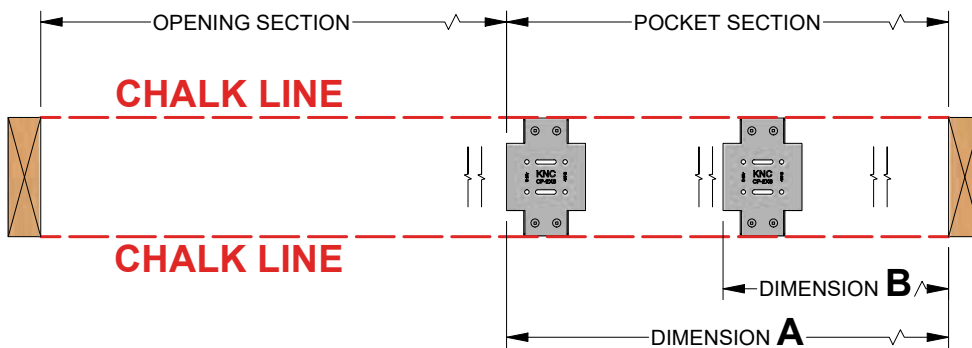
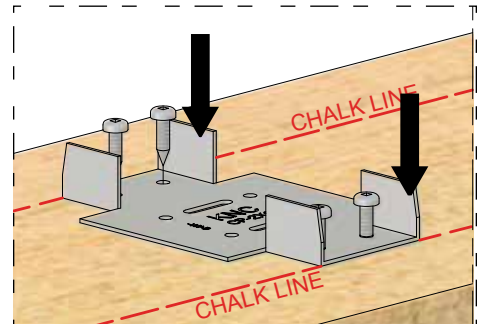


Chart C: Foot bracket location dimensions A, B

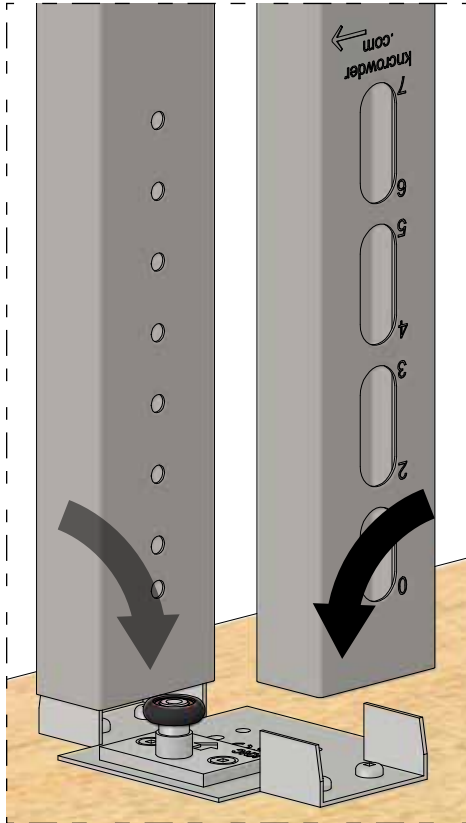
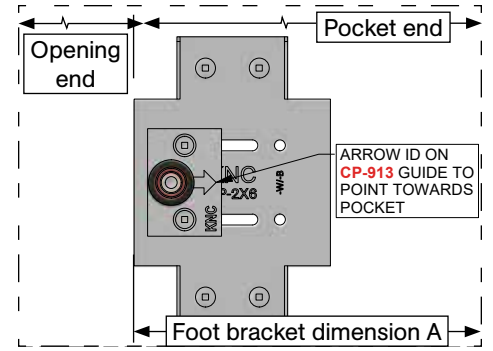
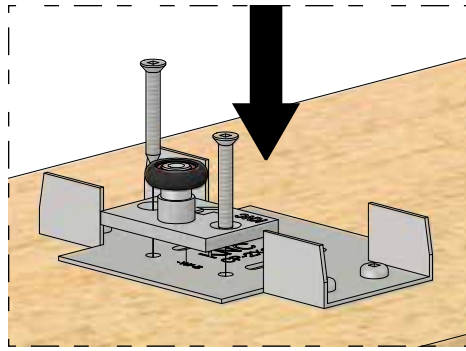
Door width	Dimension A	Dimension B
18 in (1'-6") [457 mm]	19 1/2 in [495 mm]	10 1/2 in [267 mm]
20 in (1'-8") [508 mm]	21 1/2 in [546 mm]	10 1/2 in [267 mm]
22 in (1'-10") [559 mm]	23 1/2 in [597 mm]	11 1/2 in [292 mm]
24 in (2'-0") [610 mm]	25 1/2 in [648 mm]	11 1/2 in [292 mm]
26 in (2'-2") [660 mm]	27 1/2 in [699 mm]	12 1/2 in [318 mm]
28 in (2'-4") [711 mm]	29 1/2 in [749 mm]	13 1/2 in [343 mm]
30 in (2'-6") [762 mm]	31 1/2 in [800 mm]	15 1/2 in [394 mm]



Standard plan view
For doors 18 in [457 mm] to 30 in [762 mm] wide

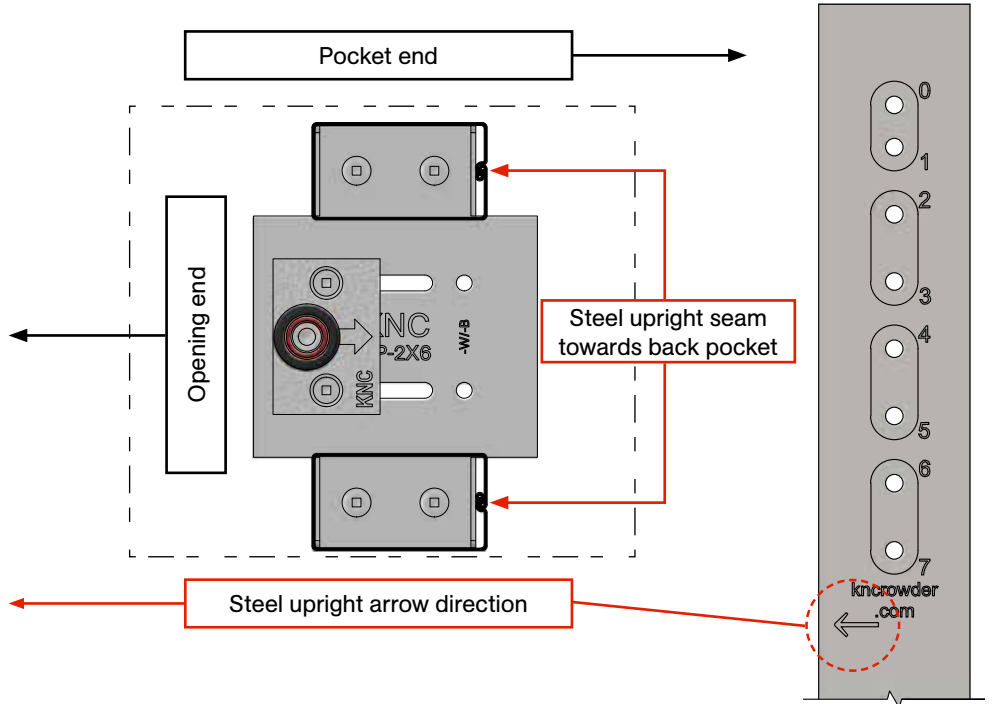
Step #10:

Place CP-913 Guide (1) on foot bracket closest to opening end and secure with (2) #10 x 1 1/2" Flathead Screws [FT7].
Note: Ensure arrow ID on CP-913 Guide is facing towards pocket as shown right.



Step #11:

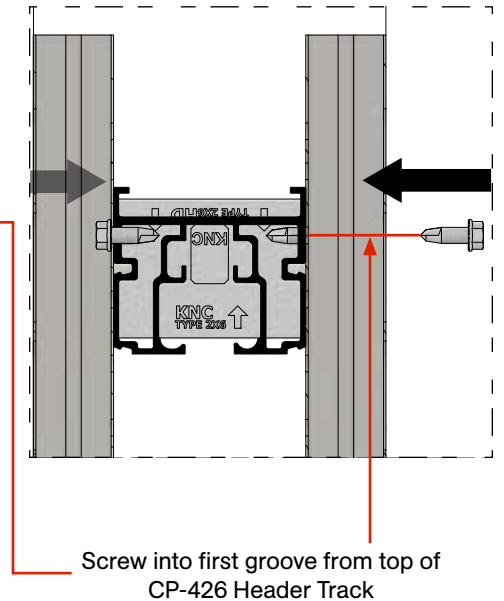
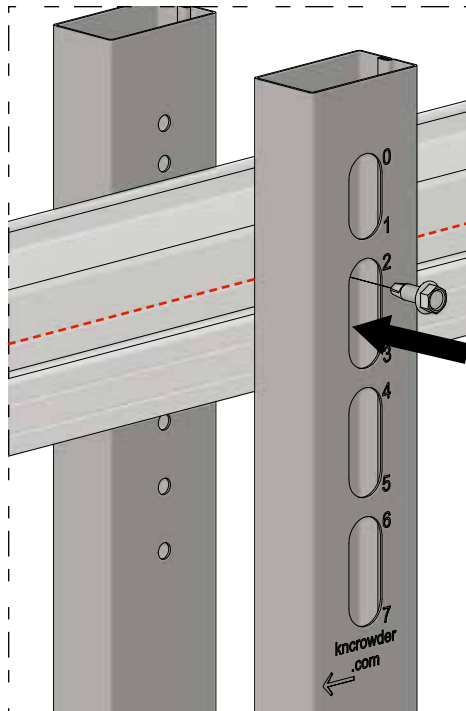
Position CP-9XX Steel Uprights on foot brackets with large oval clearance holes facing out and arrow ID pointing towards opening as shown below.



Step #12:

Plumb uprights vertically and secure to CP-426 Header Track with (1 per upright) 1/4"-#14 x 3/4" Serrated Hex Tek Screws [FT36].

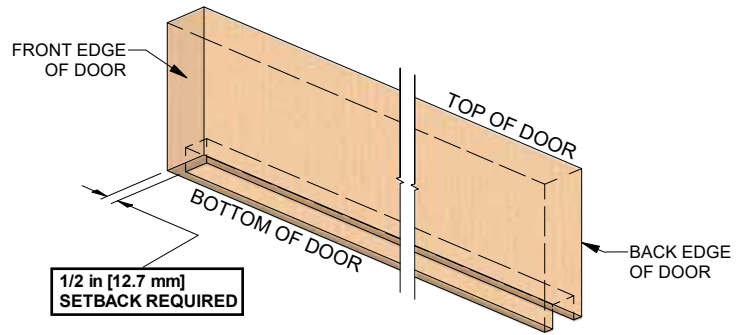
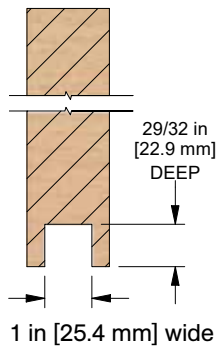
Note: screw and hole in upright should line up with first groove in CP-426 Header Track as shown below (refer to Chart B on page 7 for hole ID number to use). Impact driver is ideal for this step or pre-drill with Ø9/64 in [3.6 mm] drill bit if desired.



Step #13:

Prepare C-914 Guide Channel Slot in bottom of door:

1 in [25.4 mm] wide in center of door,
29/32 in [22.9 mm] deep and set back
1/2 in [12.7 mm] from front edge of
door. It is recommended to make slot as
accurate as possible for secure fit and
neat appearance.

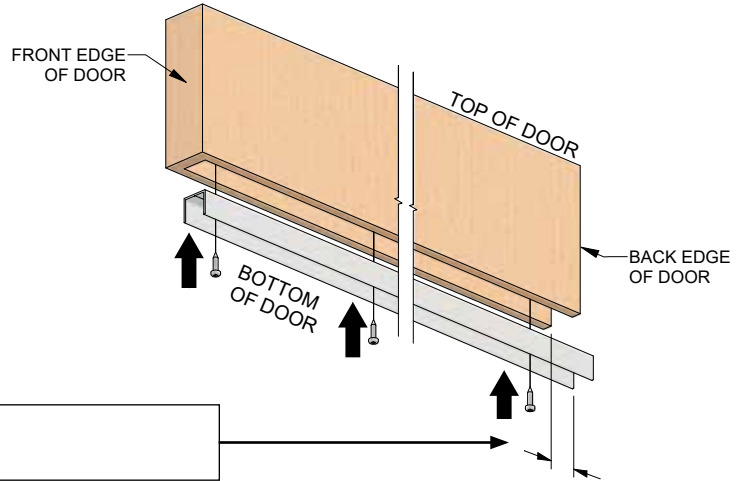
**Step #14:**

Cut C-914 aluminum guide channel to correct length as required.

For doors up to 30 in [762 mm] wide:

Length = door width + 1/2 in [12.7 mm], example: 30 in [762 mm]
door = 30 1/2 in [774.7 mm] guide channel

Drill holes in C-914 Guide Channel and pre-drill holes in door. Locate
C-914 Guide Channel in slot and screw channel into place with
(4) #10 x 3/4" Pan Head Screws [FT3].

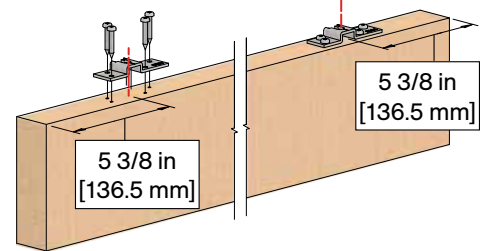


Guide channel should protrude out back edge of door by:
For doors up to 30 in [762 mm] wide = 1 in [25.4 mm]

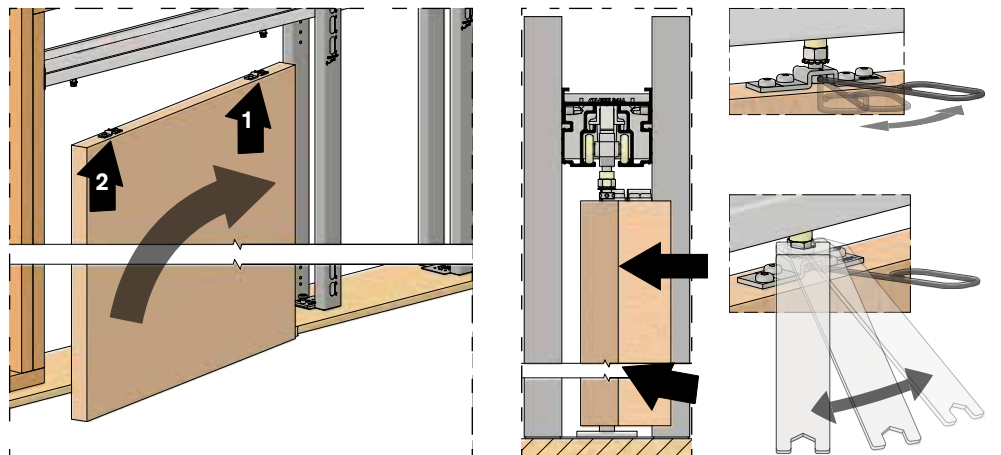
Step #15:

Locate center of "U" slot (dash line shown right) of C-493 Top Plate at 5 3/8 in [136.5 mm]
from each edge of door (or 3 7/8 in [98.4 mm] from edge of door to leading edge of top
plate). Mark screw hole locations or use template on page 19 and pre-drill Ø1/8 in [3.2 mm]
holes at least 1 1/2 in [38.1 mm] deep (shown right). Secure C-493 Top Plates with
(4 per hanger) #10 x 1 1/4" Pan Head Screws [FT4].

**Note: It is recommended to position top plates as close to dimensions shown. If top
plates are located further away from the edge, it will be problematic when installing
Catch 'N' Close Closing Devices and during operation of door.**

**Step #16:**

- A. Slide hangers in track into opening
- B. Stand door up in opening
- C. Raise back end of door and engage top plate "U" slot with C-493 Easy Connect Stud on back CC-493 Hanger (closest to pocket) (arrow #1)
- D. Pivot back end of door into pocket and engage guide channel with pocket guide
- E. Raise front end of door and engage top plate "U" slot with C-493 Easy Connect Stud on front CC-493 Hanger (closest to opening) (arrow #2)
- F. Adjust door height and plumb by using C-AR93 Adjustment Rod on C-493 Easy Connect Studs
- G. Lock final height adjustment with k-lock nuts using CP-Wrench



Step #17:

After door has been installed, position door approximately 5-10 in [127-254 mm] away from final position at one end (shown below with left side). Push loose CC-100 Stop (installed in **step #4**) against hanger body as shown below:



Step #18:

With CC-100 Stop loose, slide door to final/desired position of door as shown right.

Note: Ensure that strike and trim thickness are taken into consideration for final/desired position of door. See pages 17-18 for suggested finishing.



Step #19:

Once final position is achieved, slide door away from CC-100 Stop. Lock CC-100 Stop in position by tightening two cap screws on CC-100 Stop with 3/16" allen key (CC-100 is secured by friction fit with cone point screws).



Step #20:

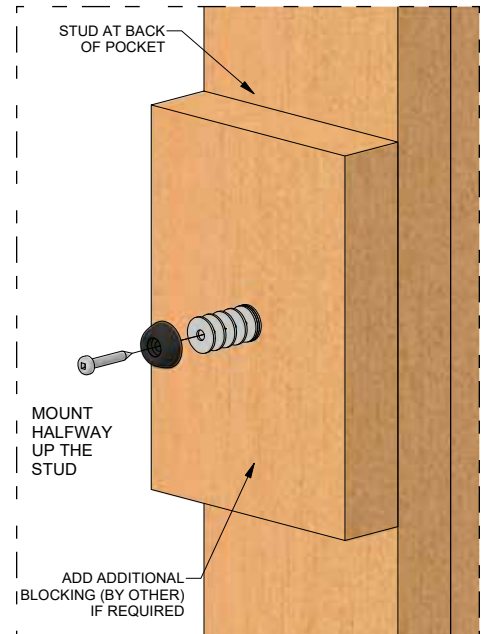
Repeat **steps #17 - 19** for opposite side.

Note: Ensure that strike and trim thickness are taken into consideration for final/desired position of door. See pages 17-18 for suggested finishing.

Step #21:

On pocket end framing jamb, mark halfway point from floor to under side of track. Push door into opened position (door in pocket). Measure distance from back edge of door to jamb. Install (1) C-99 Rubber Bumper with (1) #10 x 1 1/4" Pan Head Screw [FT4] and 3/16" Spacer Washers (quantities are as required to fit in gap previously measured) to pocket jamb to act as secondary stop for door in opened position.

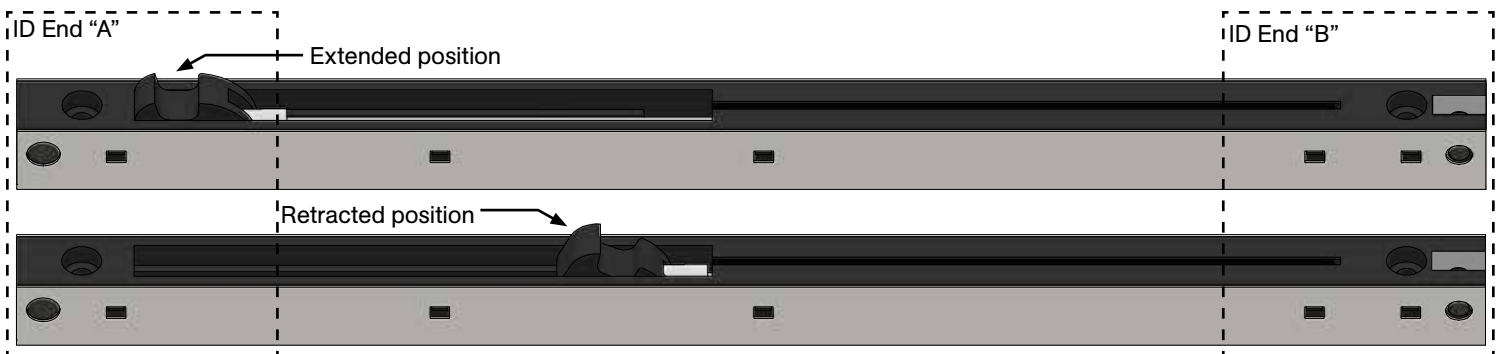
Note: Additional blocking may be required to fill wide gaps.



Step #22:

Before installing Catch 'N' Close Closing Devices, ensure devices are in retracted position as shown below. If not in required positions, slide hook down until it locks in position.

Note: Requires significant finger pressure.

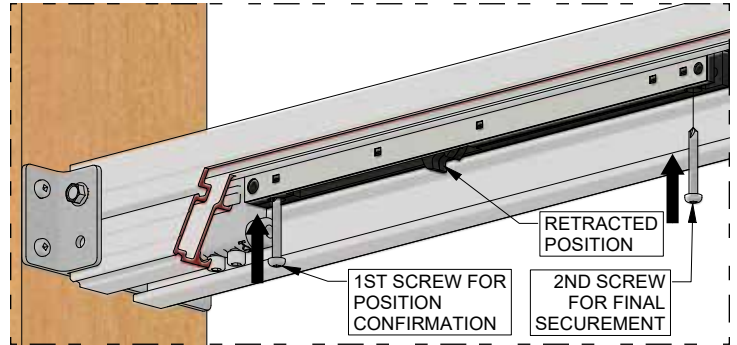
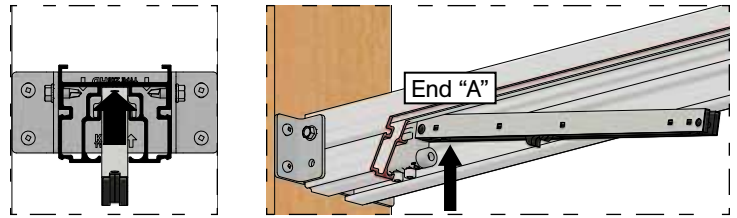


Important Catch 'N' Close Closing Device notes:
If doors are 75 lbs. [34 kg] or less, ensure CC-75 Catch 'N' Close Closing Devices are used.
If doors are minimum 75 lbs. [34 kg] up to 150 lbs. [68 kg], ensure CC-1 Catch 'N' Close Closing Devices are used.

Step #23:

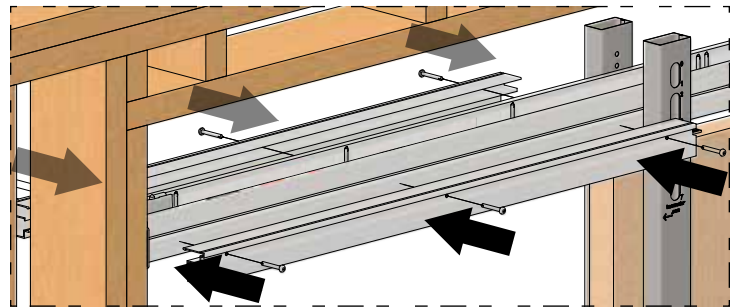
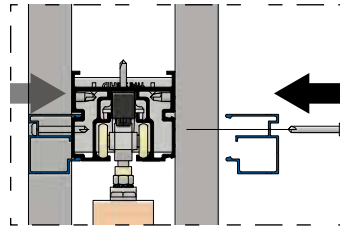
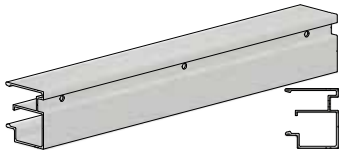
At both the door opening and pocket ends of track, place retracted Catch 'N' Close Closing Device into track with leading end "A" resting against upper body of CC-100 Stop (installed previously). With Catch 'N' Close Closing Device resting tight against upper body of CC-100 Stop, secure Catch 'N' Close Closing Device to track with (2) #10 x 1 1/2" Pan Head Self-Drilling Screws [FT5].

Note: If using impact driver to secure Catch 'N' Close Devices to track, do not overtighten screws. It is recommended to pre-drill track with Ø9/64 in [3.6 mm] drill bit. Secure first screw closest to CC-100 Stop only and test system by sliding door to activate Catch 'N' Close Closing Device. If in correct position, secure with second screw. Remove any drill fillings from inside track.



Step #24:

If required, measure and cut CP-930 Drywall Supports to fit in opening between header bracket and first upright. If pre-punched holes are cut off, re-drill with Ø11/64 in [4.4 mm] drill bit for a total of 3 or 4 holes per piece of CP-930 Drywall Support. Two equal length pieces are required for installation. Snap CP-930 Drywall Supports onto CP-426 Header Track as shown below with step in drywall support facing down towards floor. Once snapped on, secure with (3-4 per side) #10 x 1 1/2" Pan Head Self-Drilling Screws [FT5].



Step #25:

Refer to finishing suggestions, dimensions & installation steps on pages 17-18.

Important note:

Remember to clean inside of track before finishing opening. Use an air gun to blow air into track or use a cloth to wipe it. This will help eliminate any aluminum shavings or debris that may have fallen into track. If not cleaned out, shavings or debris may prevent hangers from rolling smoothly.

Troubleshooting

Issue	Solution
Chatter/noise when door is sliding	Ensure there are no aluminum shavings within track. Shavings can become embedded in nylon tires and cause noise during operation.
Door is hard to move	Ensure guide channel secured to bottom of door is not over-tightened as this could cause sides of guide channel to "pinch" guide. Remove door and check guide channel by rolling guide roller in channel to ensure smooth travel. There should be little to no resistance. Ensure door is not dragging on bottom of floor/guides and adjust height of door as required.
Door rattles	Ensure locking nuts & screws on hangers are secured and not loose.
Door is not engaging closing device	Ensure hangers are correctly oriented. See steps #4 - 5 . Ensure Catch 'N' Close Closing Devices are in correct retracted or extended position prior to sliding door closed/open. See step #22 .
Replacing Catch 'N' Close Closing Device	In case of pocket end Catch 'N' Close Closing Device, cut a small hole out of wall near upper back portion of track in order to access Catch 'N' Close Device to remove and replace. Wall will need to be repaired. To remove closing/strike end catch 'n' close closing device, remove two screws and take it out of track and replace with same two screws

Installation Steps

If Installing Drywall Prior to Door

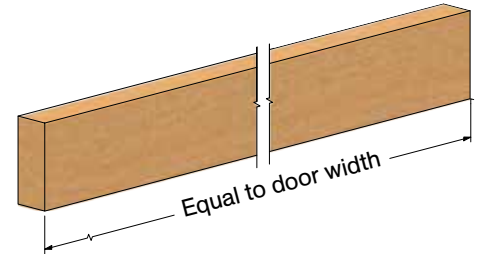
Step #D1

Follow **steps #1 - 12** on pages 7-10.

Step #D2

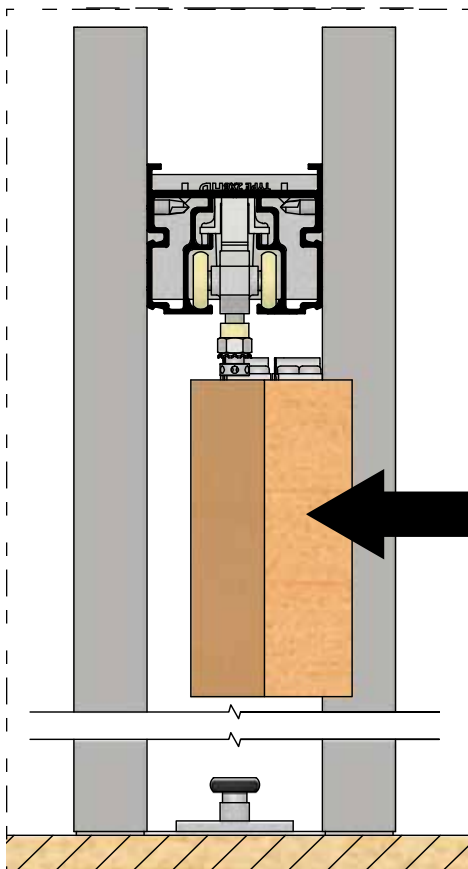
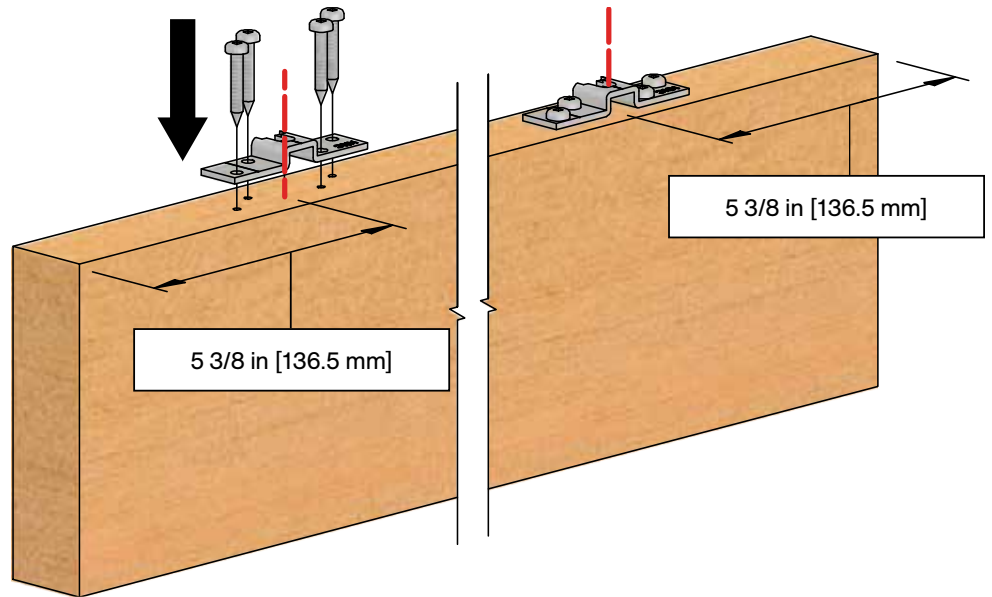
Obtain a relatively straight scrap piece of lumber (ideally 2X6 framing lumber, not supplied by KN Crowder), and cut to size. Length should be same width as door to be installed at a later time. For example, if door width is 30 in [762 mm], lumber length should be 30 in [762 mm].

This piece of lumber will be referred to as door template.



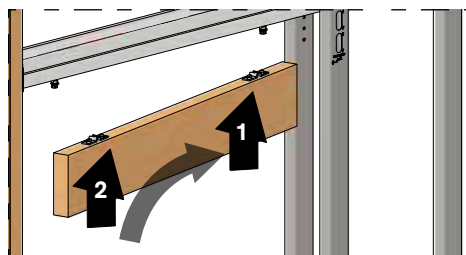
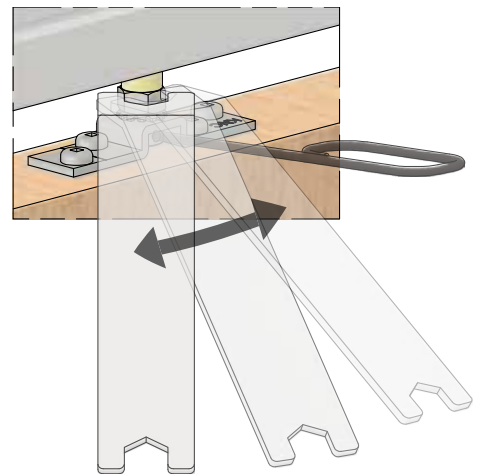
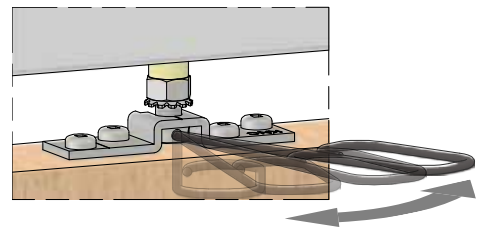
Step #D3:

Locate center of “U” slot (dash line shown below) of C-493 Top Plate at 5 3/8 in [136.5 mm] from each edge of door template. Mark screw hole locations or use template on page 19 and pre-drill $\text{\O}1/8$ in [3.2 mm] holes at least 1 1/2 in [38.1 mm] deep. Secure C-493 Top Plates with (4 per hanger) #10 x 1 1/4” Pan Head Screws [FT4].



Step #D4:

- Slide hangers in track into opening
- Position door template in opening
- Raise back end of door template and engage top plate “U” slot with C-493 Easy Connect Stud on back CC-493 Hanger (closest to pocket) (arrow #1)
- Pivot back end of template door into pocket
- Raise front end of door template and engage top plate “U” slot with C-493 Easy Connect Stud on front CC-493 Hanger (closest to opening) (arrow #2)
- Adjust door template and plumb by using C-AR93 Adjustment Rod on C-493 Easy Connect Studs
- Lock final height adjustment with k-lock nuts using CP-Wrench



Step #D5:

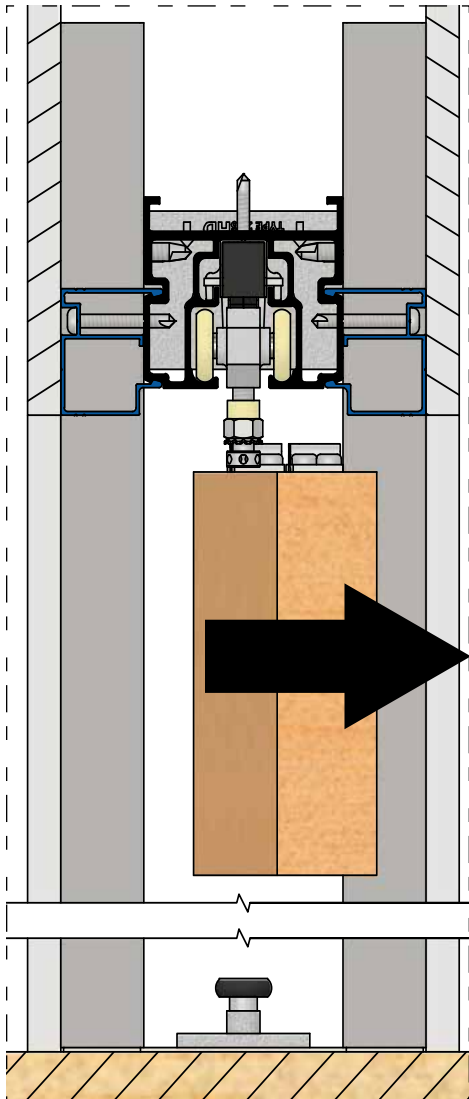
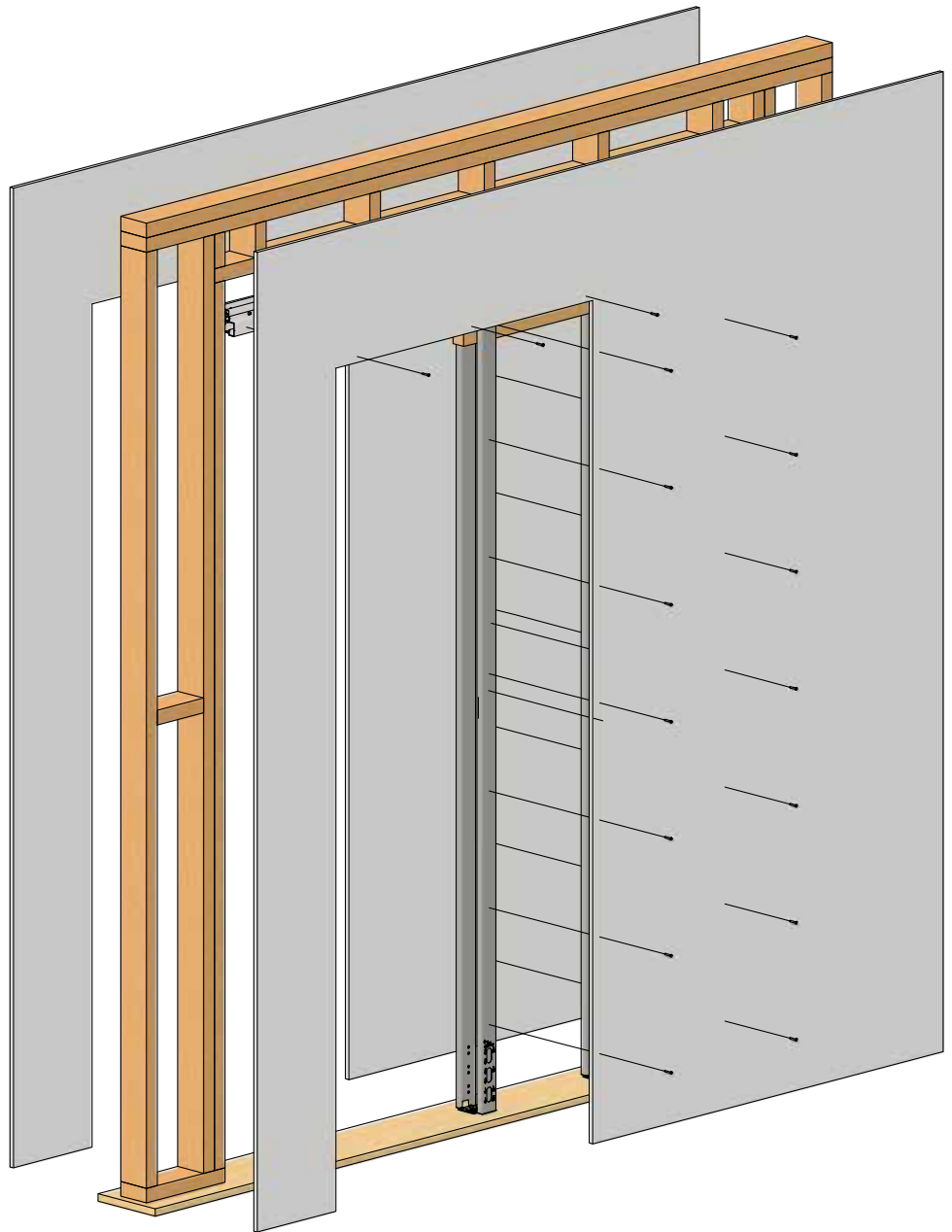
Follow **steps #17 - 24** on pages 12-13.

Step #D6:

Install & finish drywall as required. Ensure drywall is cut back to strike jamb, first set of steel uprights and CP-930 Drywall Support to exposed pocket door opening. This will be the “drywall rough opening” of the pocket door system.

Important drywall installation notes:

Use 1 in [25.4 mm] long drywall screws only (provided) when securing drywall to uprights & drywall supports. Longer screws will penetrate inside face of steel upright and damage door or affect door travel. Fasten drywall to bottom of steel uprights working upwards to top. It is recommended to use 8 drywall screws per upright and 4 per drywall supports.

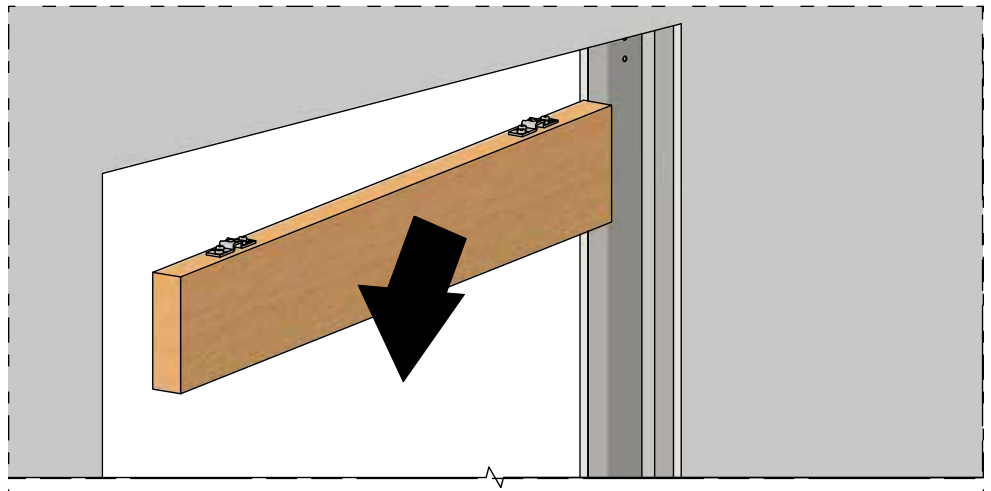


Step #D7:

Once door is on-site, follow **steps #13 - 14** on page 11.

Step #D8:

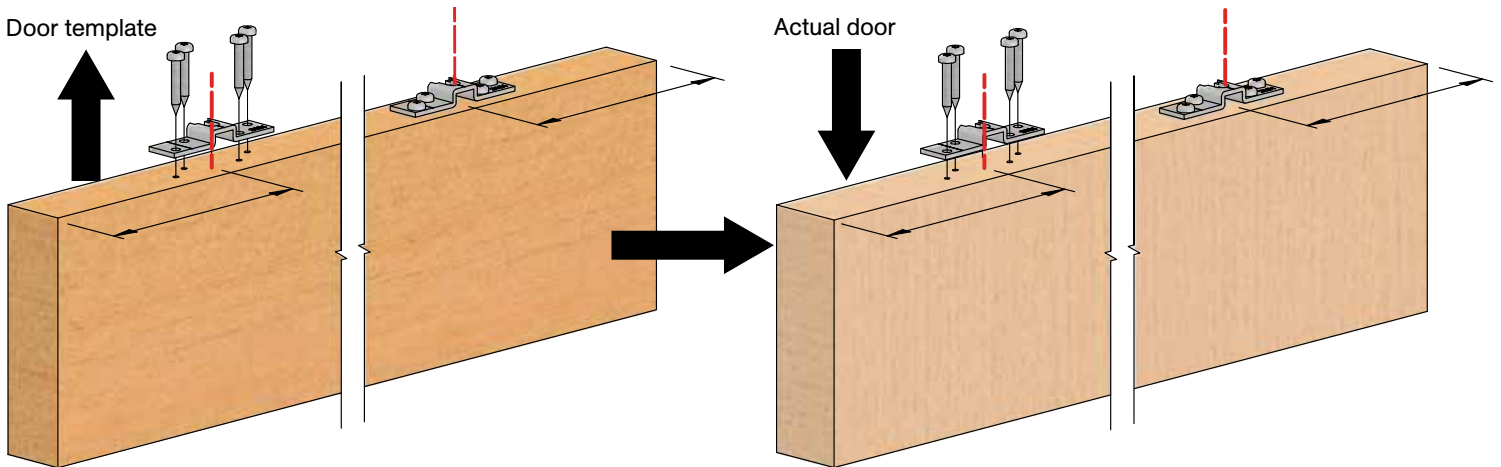
Remove door template from pocket by disengaging from hangers in track (reverse **step #D4**)



Step #D9:

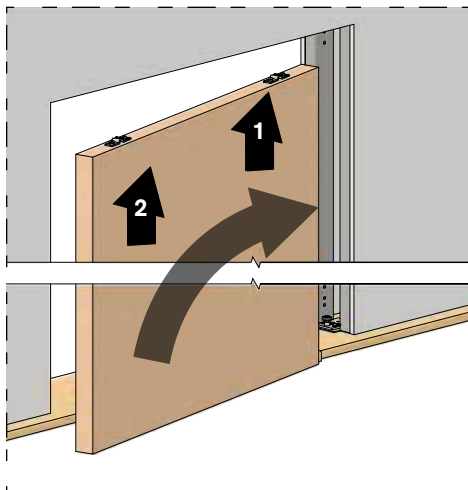
Remove top plate assemblies from door template and mount onto top of actual door in same position as door template in **step #D3**.

Note: Must be mounted at same distance from edge of door as on the door template. Failure to do this will result in door not opening or closing fully in pocket.



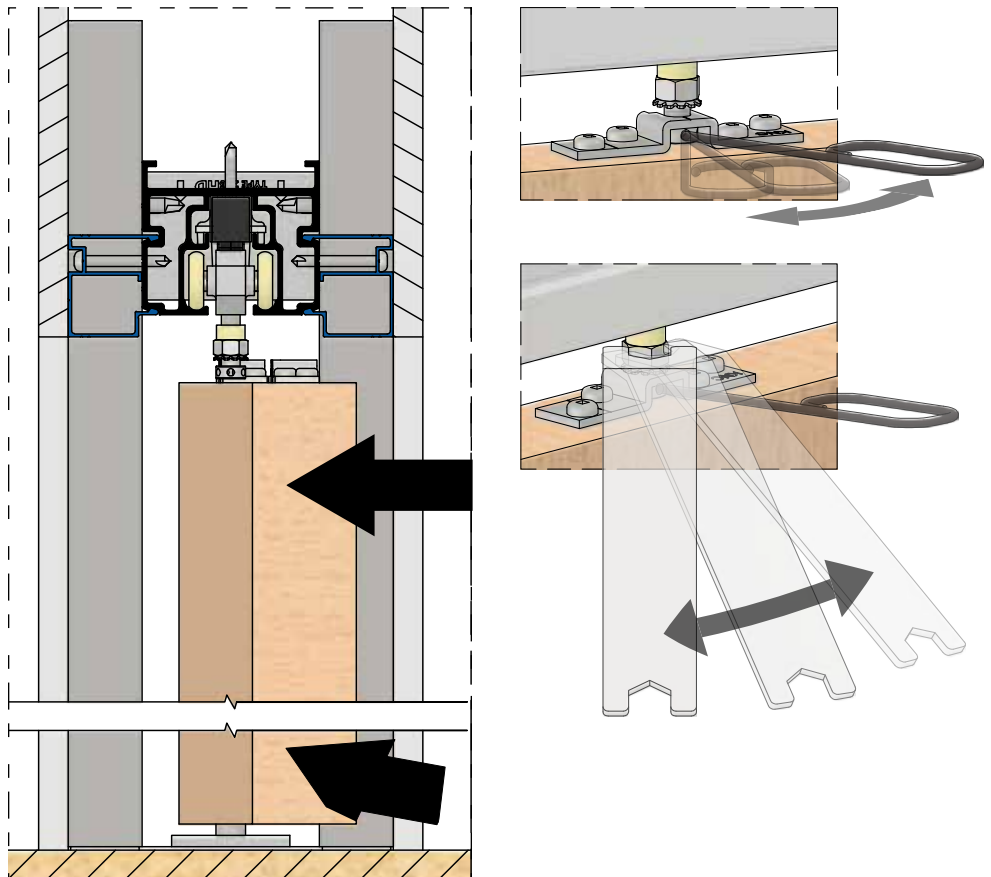
Step #D10:

- A. Slide hangers in track into opening
- B. Stand door up in opening
- C. Raise back end of door and engage top plate "U" slot with C-493 Easy Connect Stud on back CC-493 Hanger (closest to pocket) (arrow #1)
- D. Pivot back end of door into pocket and engage guide channel with pocket guide
- E. Raise front end of door and engage top plate "U" slot with C-493 Easy Connect Stud on front CC-493 Hanger (closest to opening) (arrow #2)
- F. Adjust door height and plumb by using C-AR93 Adjustment Rod on the C-493 Easy Connect Studs
- G. Lock final height adjustment with k-lock nuts using CP-Wrench



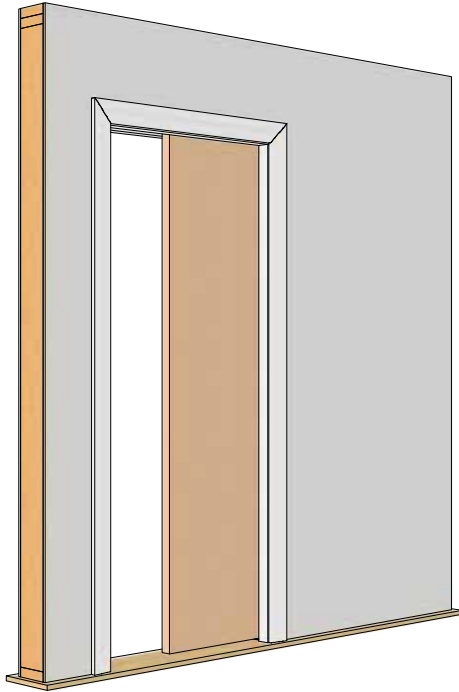
Step #D11:

Finish project with finishing requirements such as trim, door jambs, etc (all by others). Refer to finishing suggestions, dimensions & installation steps on pages 17-18.



Suggested Finishing & Dimensions

Complete Type CC-NRW-2X6 kit illustrated with framing, drywall, & suggested finishing by others.

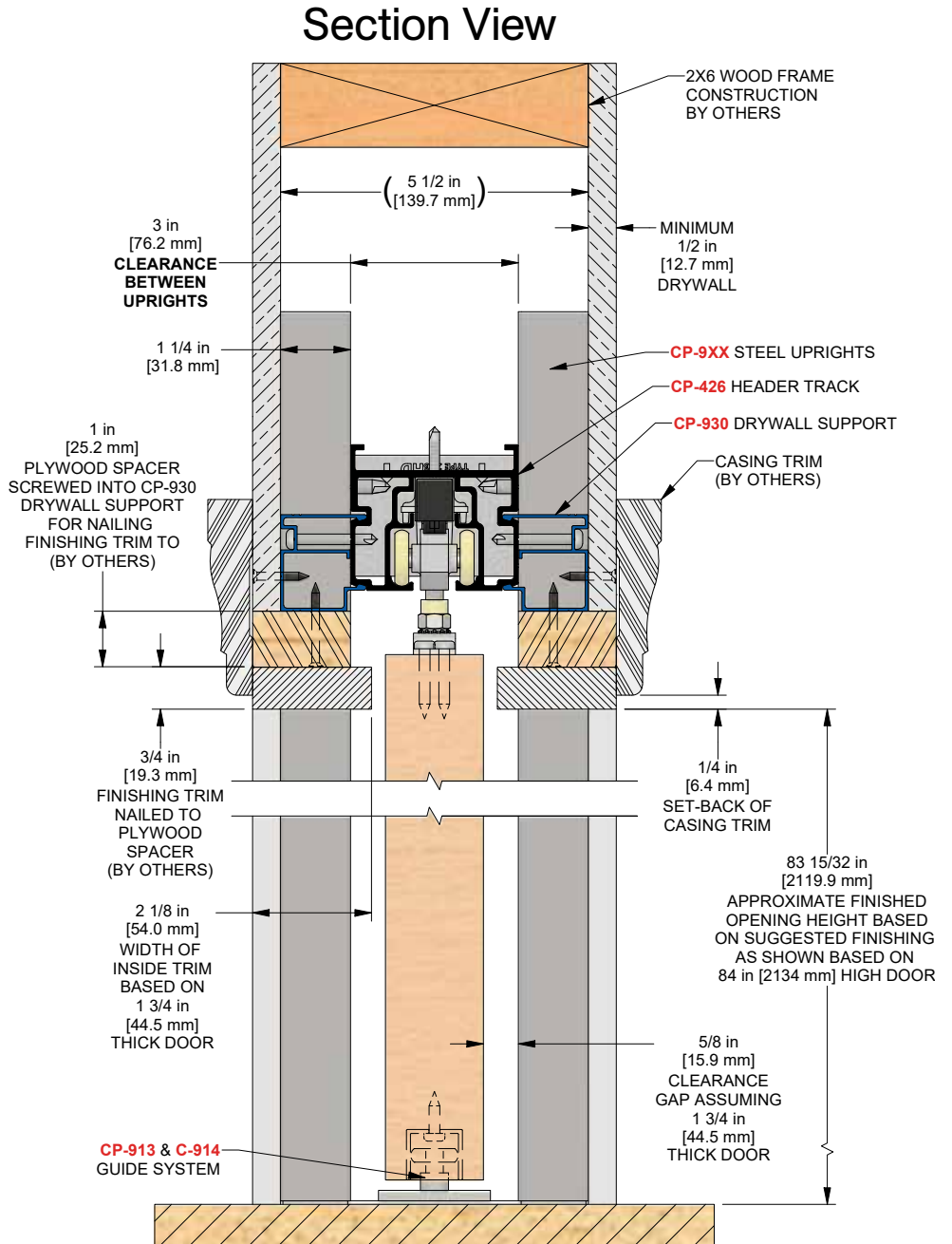


Note:
For double door kits using CPD-2X6-Joiner Kit, use this section detail for reference.

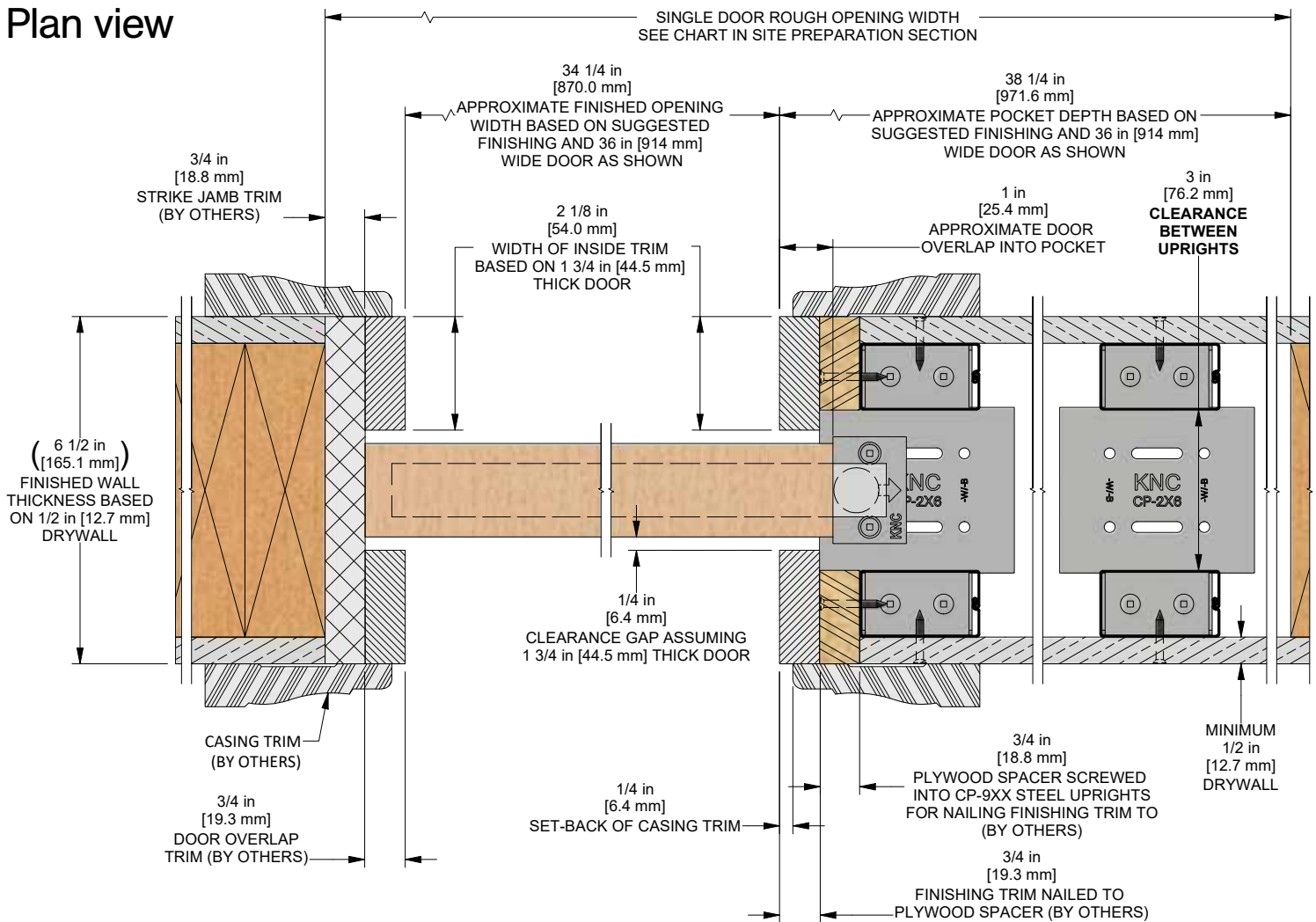
To illustrate complete installation process, suggested trim details and dimensions are shown. Site trim details and dimensions must be verified by installer and may require adjustment of dimensions that follow.

KN Crowder is not responsible for any finishing details.

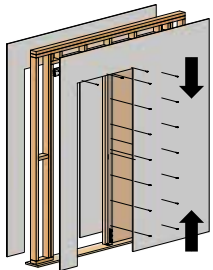
Suggested details are based on a 36 in [914 mm] wide x 84 in [2134 mm] high door using **Type CC-W-2X6** Catch 'N' Close Crowder Frame pocket door kit.



Plan view



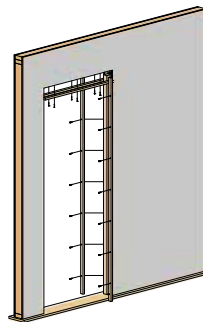
Finishing Steps



Step #F1:

Use 1 in [25.4 mm] long drywall screws only (provided) when securing drywall to uprights & drywall supports. Fasten drywall alternating between top & bottom of steel uprights. It is recommended to use 8 drywall screws per upright and 4 per drywall supports.

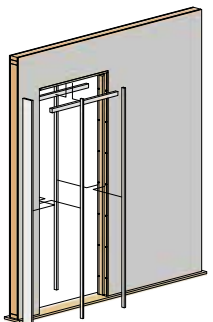
Note: Longer screws may penetrate inside face of steel upright and damage door or affect door travel.



Step #F2:

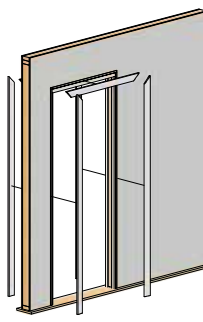
Install plywood/wood spacer (by others) to steel uprights & drywall support using screws (by others).

Note: Installing plywood/wood spacers will allow finishing trim to be nailed to spacers with a brad nailer for smaller holes to fill after installation.



Step #F3:

Install jamb finishing board on strike side and finishing pocket trim at header and pocket side of opening (by others).

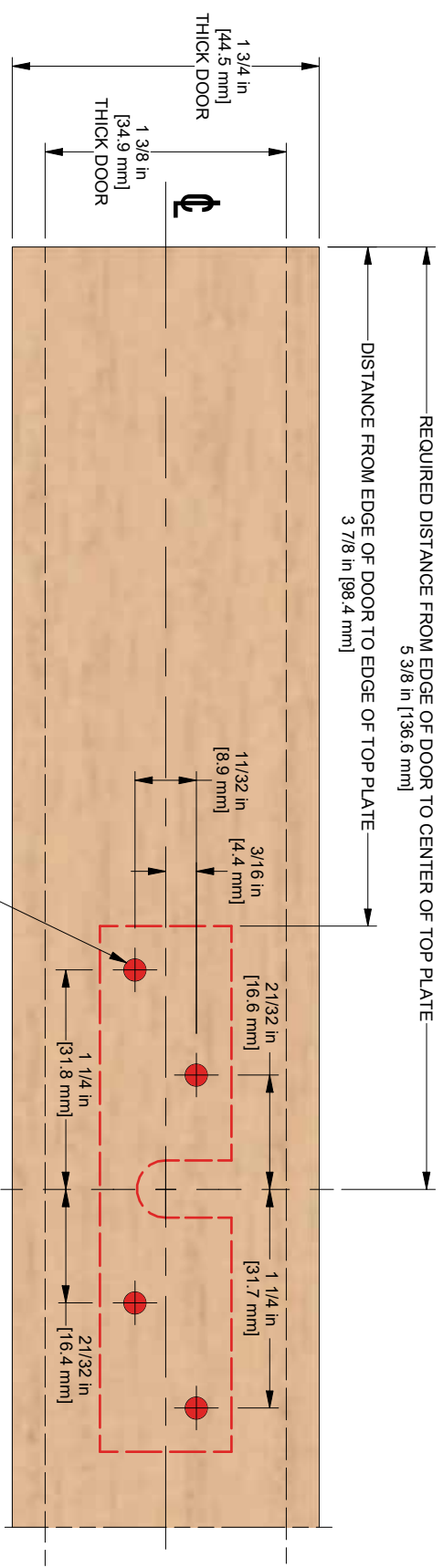


Step #F4:

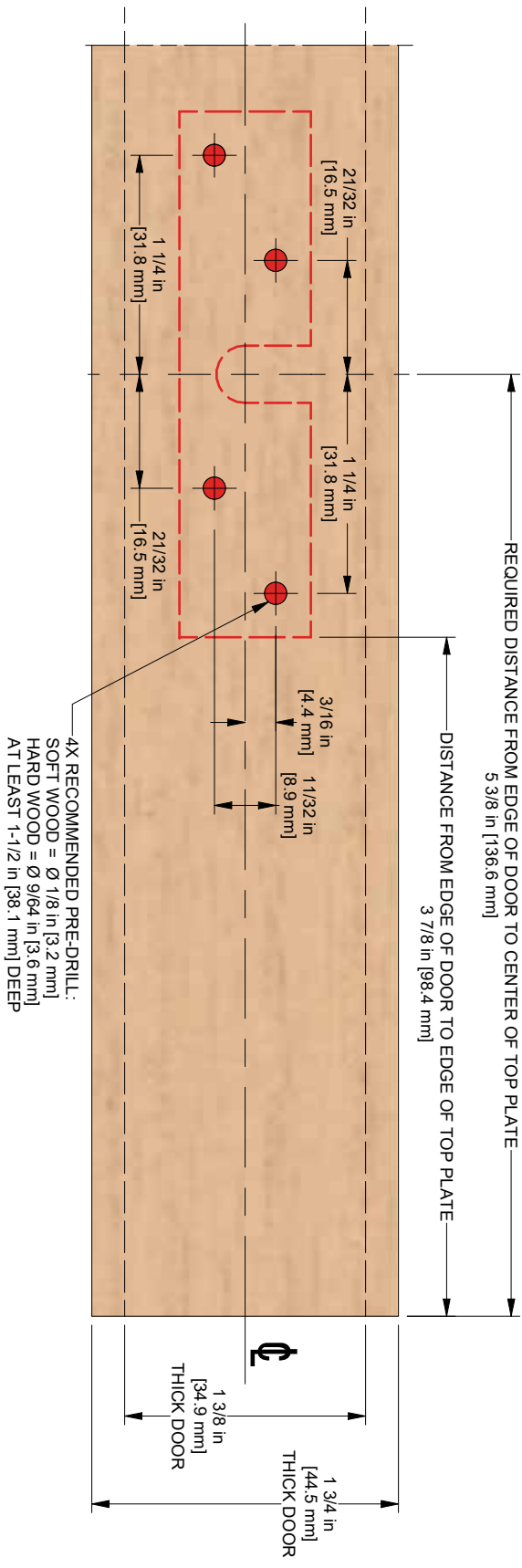
Install finishing casing around opening (by others).

Note: It is recommended to make one side of trim "easily" removable for future access for maintenance purposes.

TOP PLATE LOCATION TEMPLATE



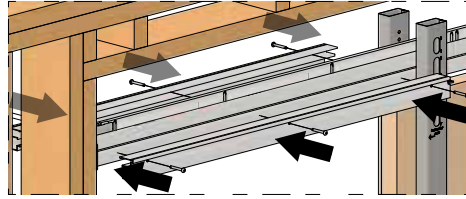
TOP PLATE LOCATION TEMPLATE



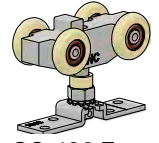
How It All Comes Together



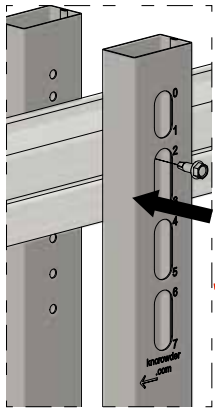
Catch 'N' Close Closing Devices



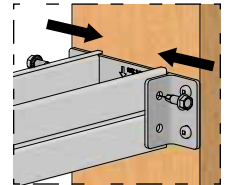
Snap and secure CP-930 Drywall Supports



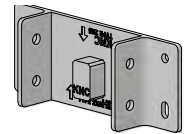
CC-493 Easy Connect Catch 'N' Close Hanger



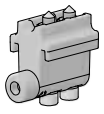
Securing steel uprights



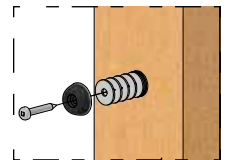
Header bracket & CP-426 Header Track



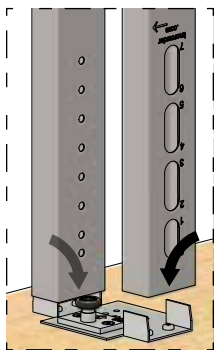
CP-HB2X6 Header Bracket



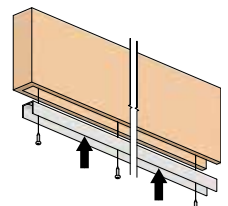
CC-100 Catch 'N' Close In-Track Stops



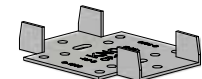
C-99 Rubber Dome Bumper & Spacer Washers



Foot bracket, steel uprights & CP-913 Guide



C-914 Guide Channel recessed in bottom of door



CP-2X6 Foot Brackets

