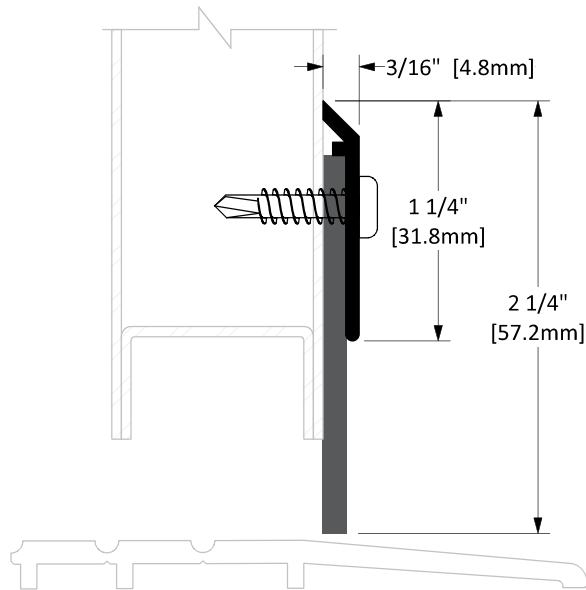


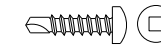
# W-13S-2



- STD** Clear Anodized
- OPT** Bronze Anodized
- OPT** Black Anodized

## Screw Options

**Standard**



Screw Type: **A**  
 #8 X 3/4" Stainless Steel Pan Head,  
 Robertson Drive, Tek Screws

**Optional**



Screw Type: **B**  
 #8 X 3/4" Stainless Steel Pan Head,  
 Tamper-Resistant Torx Drive, Tek Screws

<b>Operation</b>	Door Sweep
<b>Features</b>	• Clear Anodized Extruded Aluminum with Black Solid Neoprene
<b>Application</b>	• Ideal for Residential, Commercial & Industrial

Customer Name: \_\_\_\_\_ Job No./Name: \_\_\_\_\_ Date: \_\_\_\_\_ Provided By: \_\_\_\_\_

Notes: