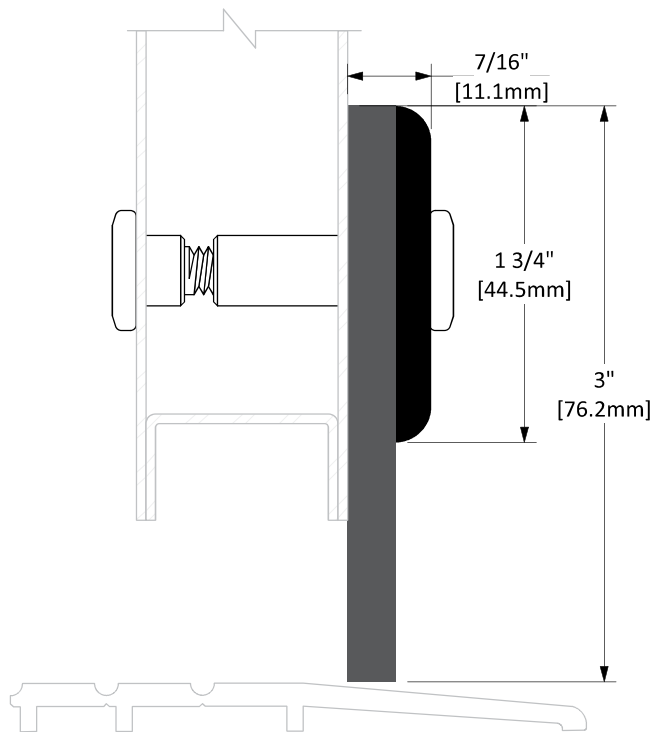


W-19



Operation	Heavy-Duty Door Sweep
Features	<ul style="list-style-type: none"> Extruded Aluminum with 1/4" Thick Solid Neoprene
Application	<ul style="list-style-type: none"> Ideal for Residential, Commercial & Industrial

Customer Name:

Job No./Name:

Date:

Provided By:

Notes:

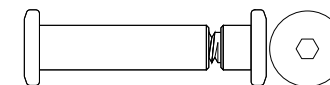
STD

Finish Options

Mill Finish

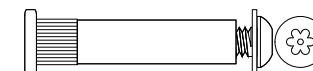
Standard

Screw Options



Screw Type: **L**
 WC-USB Custom Stainless Steel Hex Drive, Universal Connector Bolt Ø3/8" Or "V" Drill Bit Clearance Hole Required

Optional



Screw Type: **M**
 1/4-20 X 3/4" Stainless Steel Button Head, Tamper-Resistant Torx, Machine Screw With Security Sleeve & Washer