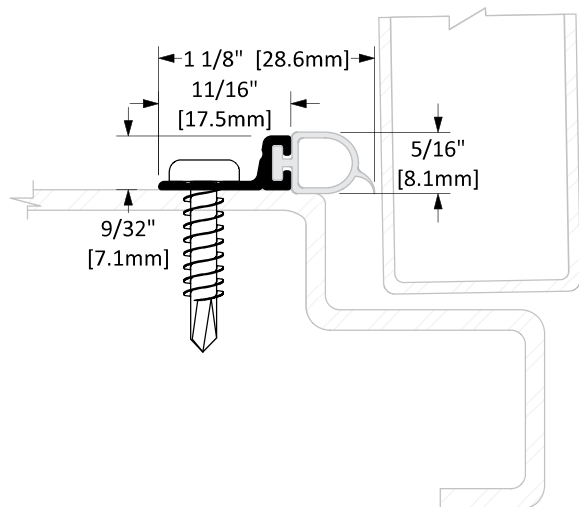


## W-2



### Finish Options

STD

Mill Finish

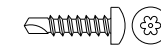
### Screw Options

Standard



Screw Type: **A**  
#8 X 3/4" Stainless Steel Pan Head,  
Robertson Drive, Tek Screws

Optional



Screw Type: **B**  
#8 X 3/4" Stainless Steel Pan Head,  
Tamper-Resistant Torx Drive, Tek Screws

<b>Operation</b>	Weatherstrip
<b>Features</b>	<ul style="list-style-type: none"> <li>• Mill Finish Extruded Aluminum with Vinyl Fin</li> </ul>
<b>Application</b>	<ul style="list-style-type: none"> <li>• Ideal for Residential, Commercial &amp; Industrial</li> </ul>

Customer Name:

Job No./Name:

Date:

Provided By:

Notes: