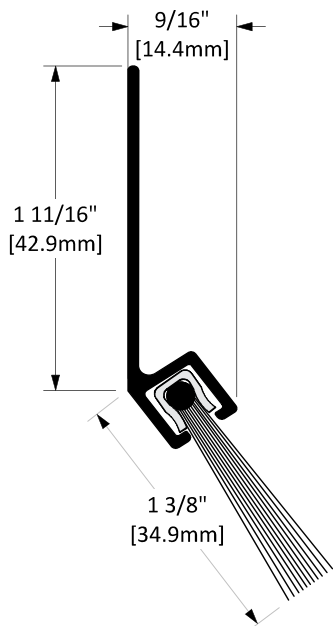


W-26-1



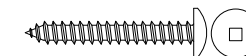
STD

Finish Options

Mill Finish

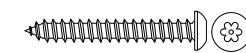
Standard

Screw Options



Screw Type: **J**
 #10 X 1-1/2" Stainless Steel Truss Head,
 Robertson Drive, Type A Screws

Optional



Screw Type: **K**
 #10 X 1-1/2" Stainless Steel Button
 Head, Tamper-Resistant Torx
 Drive, Type A Screws

Operation	Door Sweep
Features	<ul style="list-style-type: none"> Mill Finish 2" Aluminum Angle with 1" Nylon Brush
Application	<ul style="list-style-type: none"> Ideal for Residential, Commercial & Industrial

Customer Name:

Job No./Name:

Date:

Provided By:

Notes: