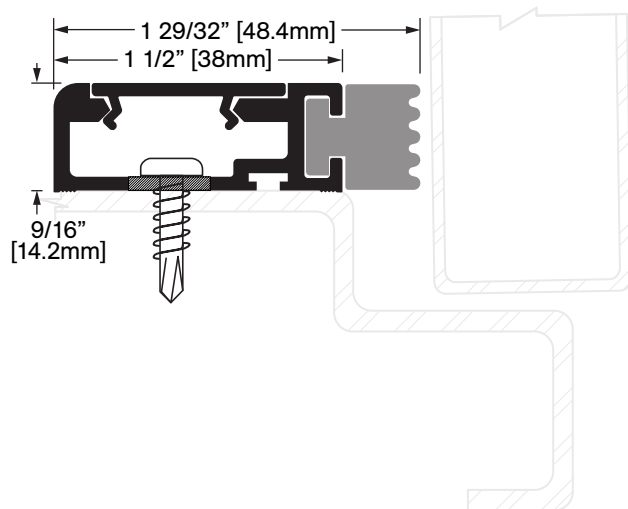


W-46N NEW



Operation: Weatherstrip

Features: Clear Anodized Extruded Aluminum
2 Piece with Snap-On Cover & Neoprene

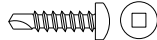
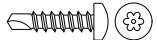
Application: Ideal for Residential, Commercial & Industrial

Maximum Length: 144 in [3658 mm]

FINISHES

- STD** Clear Anodized
- Bronze Anodized
- OPT** Black Anodized
- Special _____

SCREW OPTIONS

- Standard**  Screw Type: A
#8 X 3/4" Stainless Steel Pan Head, Robertson Drive, Tek Screws
- Optional**  Screw Type: B
#8 X 3/4" Stainless Steel Pan Head, Tamper-Resistant Torx Drive, Tek Screws

Customer Name _____

Job No./Name _____

Date _____

Provided By: _____

Notes