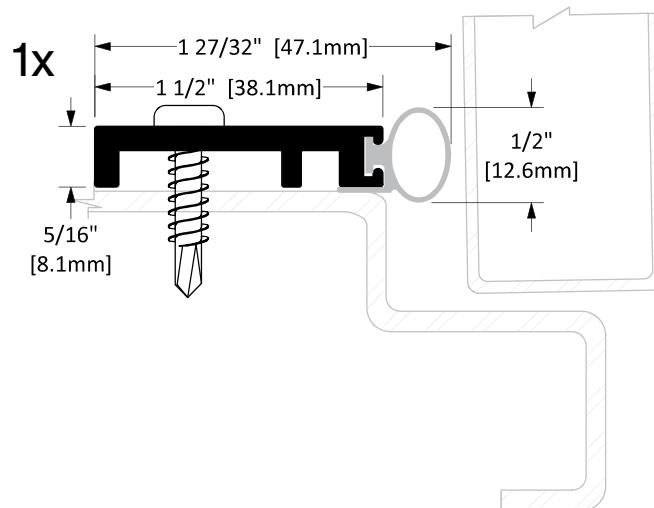
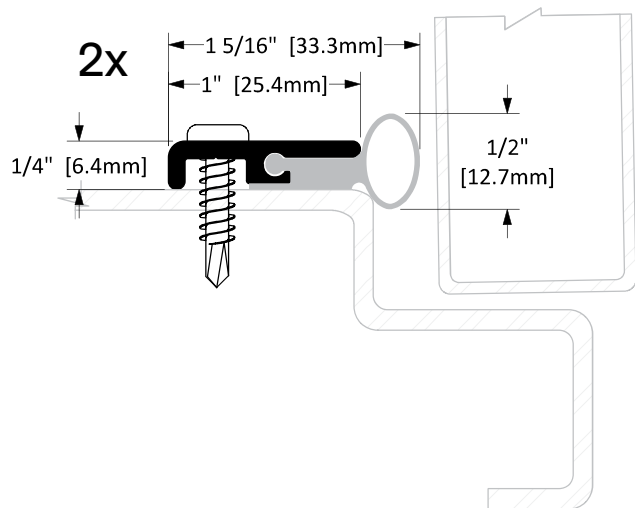


NEW

W-52S



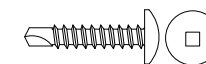
STD
OPT

Finish Options

- Clear Anodized
- Bronze Anodized
- Black Anodized

Standard

Screw Options



Screw Type: **E**
#10 X 1" Stainless Steel Truss Head,
Robertson Drive, Tek Screws

Optional



Screw Type: **F**
#10 X 1" Stainless Steel Pan Head,
Tamper-Resistant Torx Drive, Tek Screws

Operation	Weatherstrip
Features	<ul style="list-style-type: none"> • Each set includes: (1) W-2050S X Header Width & (2) W-50S X Jamb Height • Clear Anodized Extruded Aluminum with Silicone
Application	<ul style="list-style-type: none"> • Ideal for Residential, Commercial & Industrial

Customer Name:

Job No./Name:

Date:

Provided By:

Notes: