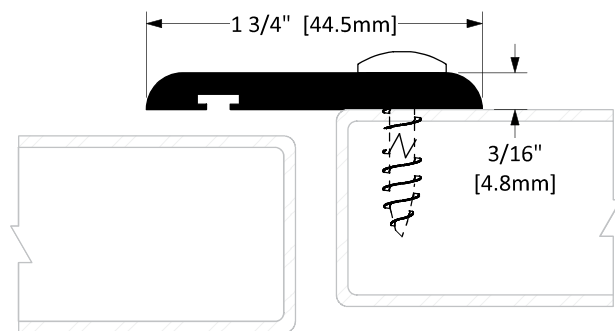


# W-8



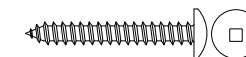
STD  
OPT

## Finish Options

- Mill Finish
- Bronze Anodized
- Black Anodized
- Clear Anodized

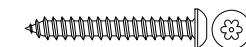
Standard

## Screw Options



Screw Type: **J**  
#10 X 1-1/2" Stainless Steel Truss Head,  
Robertson Drive, Type A Screws

Optional



Screw Type: **K**  
#10 X 1-1/2" Stainless Steel Button  
Head, Tamper-Resistant Torx  
Drive, Type A Screws

<b>Operation</b>	Astragal
<b>Features</b>	<ul style="list-style-type: none"> <li>• Mill Finish Extruded Aluminum</li> </ul>
<b>Application</b>	<ul style="list-style-type: none"> <li>• Ideal for Residential, Commercial &amp; Industrial</li> </ul>

Customer Name: \_\_\_\_\_ Job No./Name: \_\_\_\_\_ Date: \_\_\_\_\_ Provided By: \_\_\_\_\_

Notes: