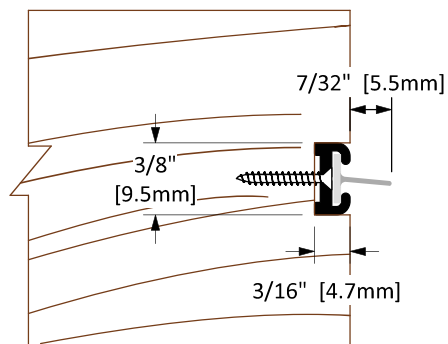


W-88F



STD

Finish Options

Mill Finish

Standard

Screw Options



Screw Type: **P**
 #2 x 1/2" Stainless Steel Flat Head Philips
 Screw, Phillips Drive

Operation	Astragal
Features	<ul style="list-style-type: none"> Mill Finish Extruded Aluminum with Fin Insert
Application	<ul style="list-style-type: none"> Ideal for edges on double-acting doors Ideal for Residential, Commercial & Industrial

Customer Name:

Job No./Name:

Date:

Provided By:

Notes: