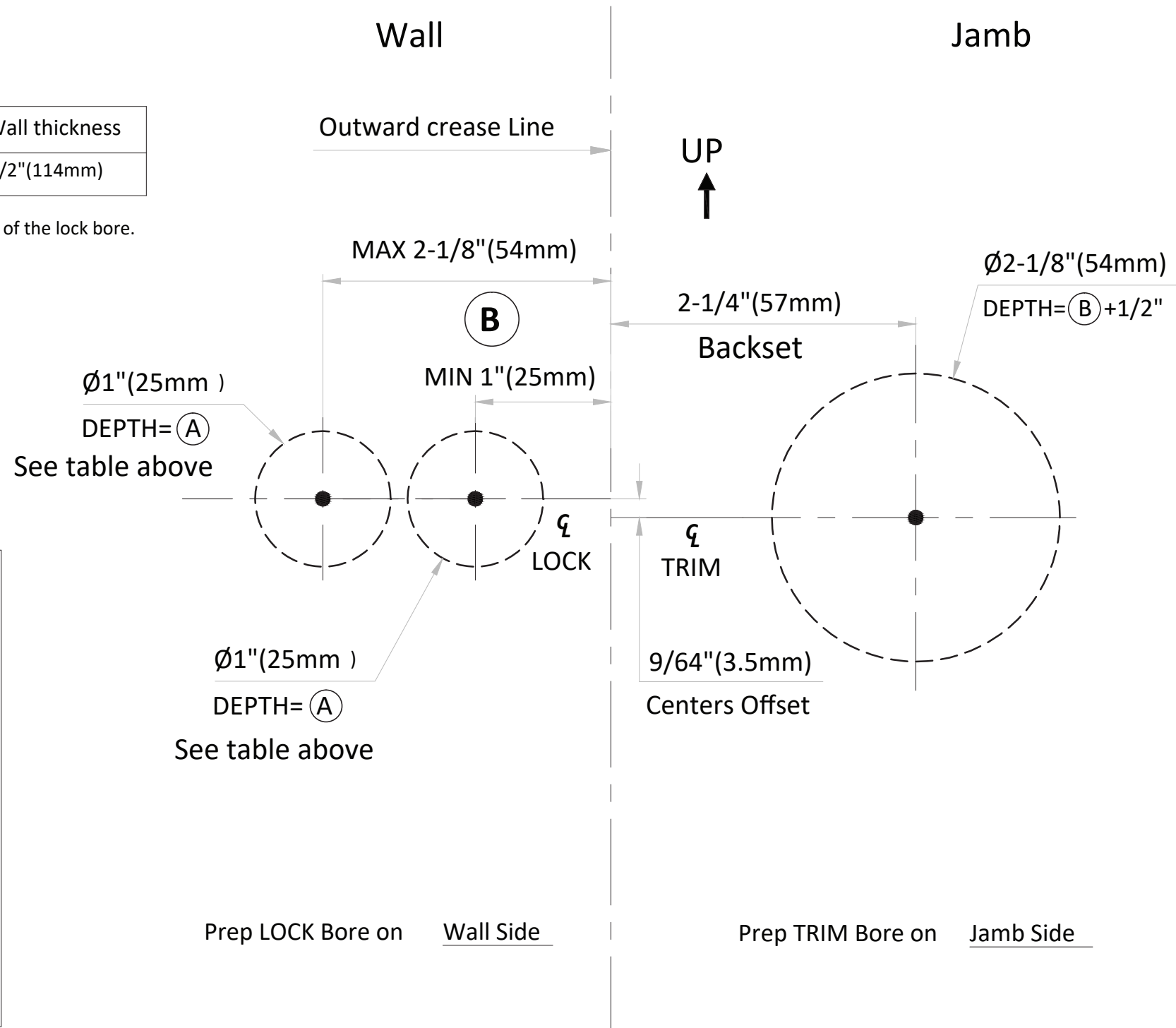
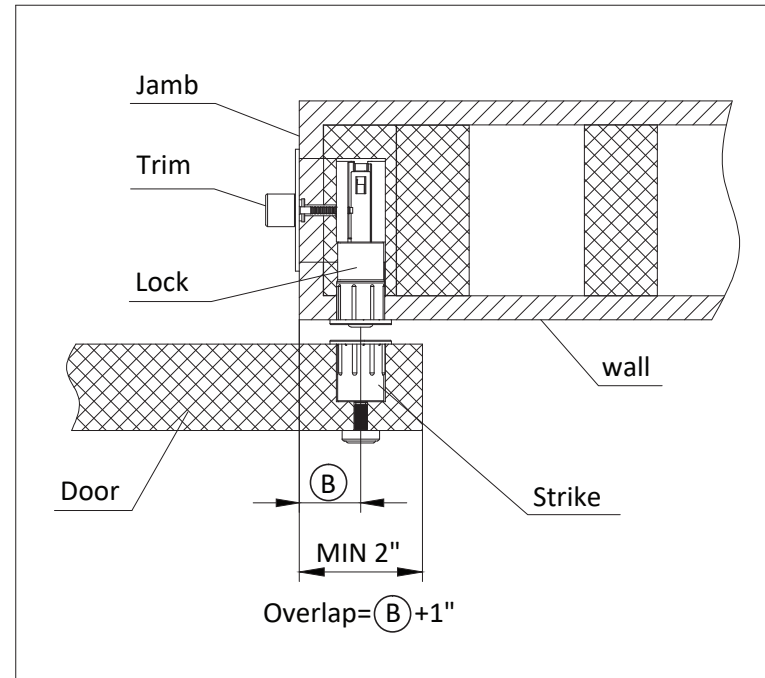


C-54RBL ROUND ADA BARN DOOR LOCK - LEFT HANDING

DOOR & WALL PREP TEMPLATE

PART #	Backset	Ⓐ	Min Wall thickness
C-54RBL	2-1/4"(57mm)	3-1/2"(89mm)	4-1/2"(114mm)

Ⓑ Represents the distance from the edge of the wall to the center of the lock bore.

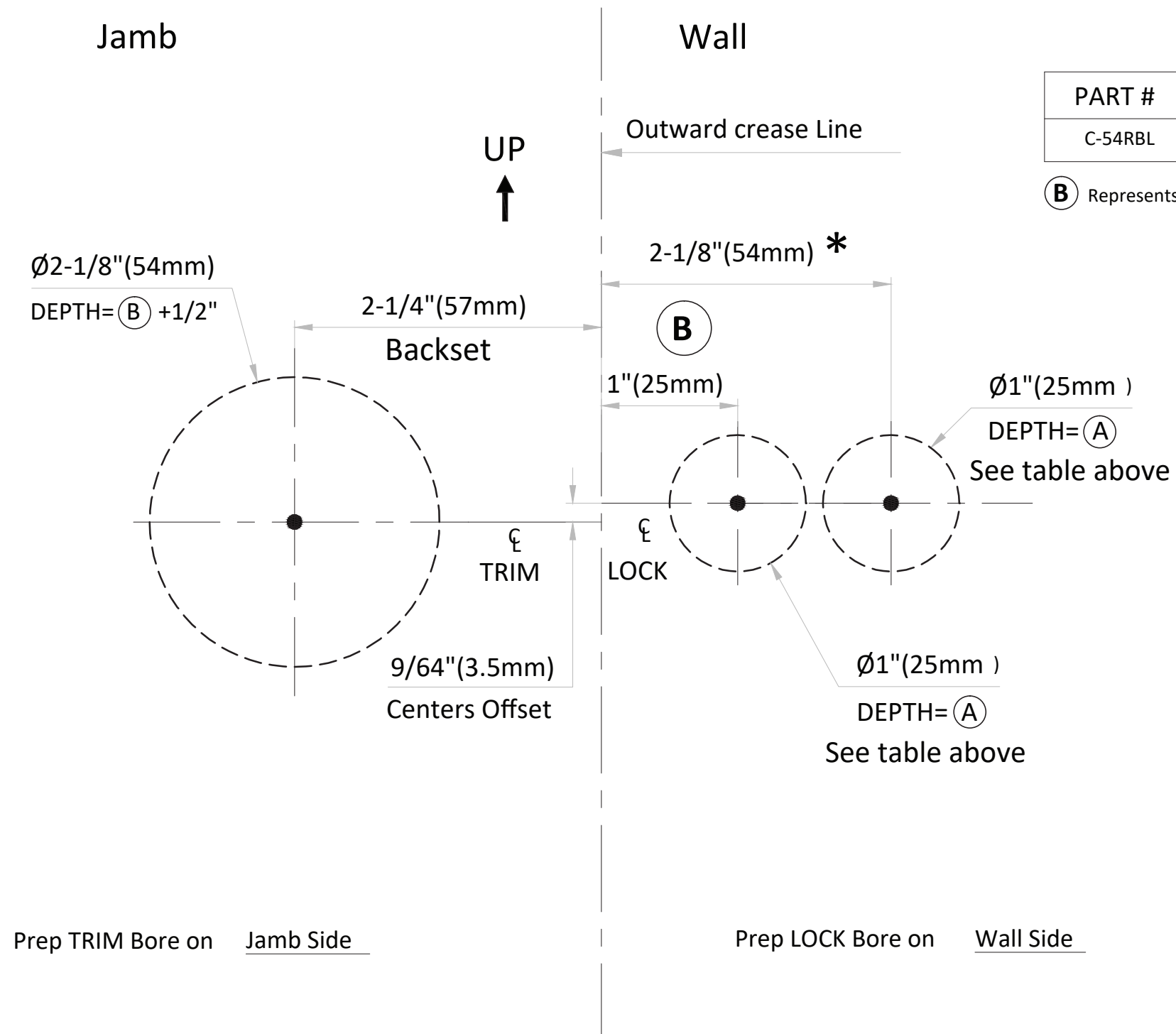


FOR OPPOSITE HAND
PLEASE SEE REVERSE SIDE

Template Dimensions do NOT provide allowances for gaps between wall studs and drywall.
Refer to installation instructions for more details.

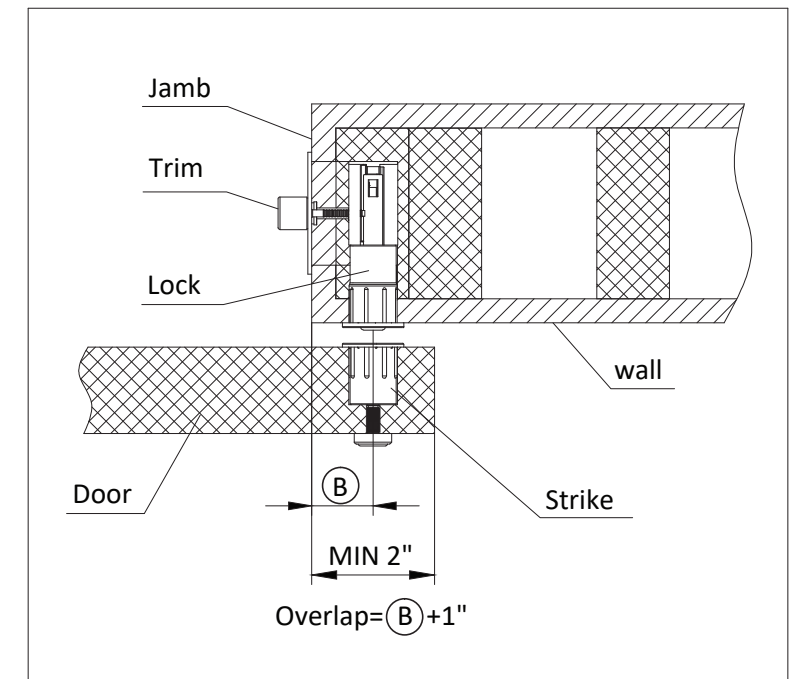
C-54RBL ROUND ADA BARN DOOR LOCK - RIGHT HANDING

DOOR & WALL PREP TEMPLATE



PART #	Backset	(A)	Min Wall thickness
C-54RBL	2-1/4"(57mm)	3-1/2"(89mm)	4-1/2"(114mm)

(B) Represents the distance from the edge of the wall to the center of the lock bore.



FOR OPPOSITE HAND
PLEASE SEE REVERSE SIDE

Template Dimensions do NOT provide allowances for gaps between wall studs and drywall.
Refer to installation instructions for more details.