



C-80L-CT SECURITY LOCK SET

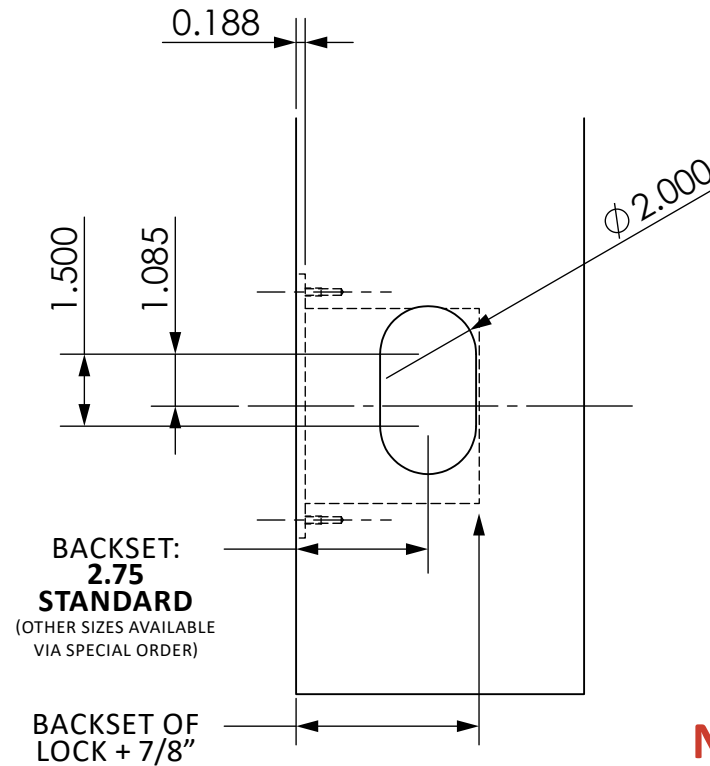
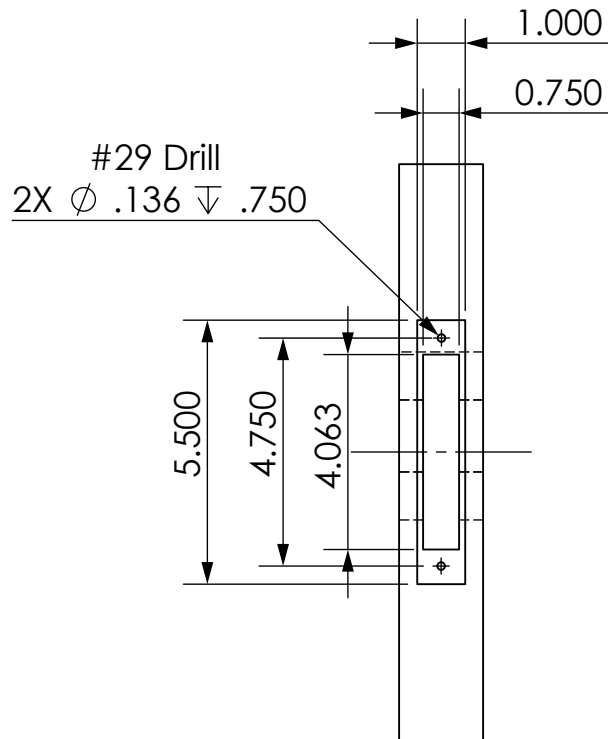
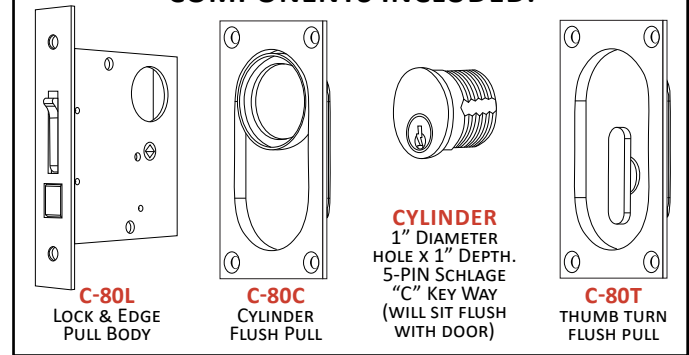
DOOR PREP TEMPLATE

SUITABLE FOR 1-3/8" UP TO 1-3/4" THICK DOORS

SPECIFICATIONS:

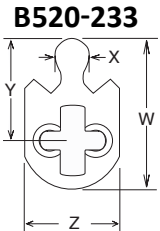
- CASE:** HEAVY GAUGE WROUGHT
- ARMOR FRONT:** BRASS, BRONZE, STAINLESS
- DEAD BOLT:** 1/2" THICK X 5/8" HIGH X 1" THROW
- PULL:** 1/4" THICK X 1-1/2" HIGH X 7/8" SWINGOUT
- THUMB TURN HUB:** 3/16" ON THE DIAMOND
- CAM:** SEE DETAILS OF CAM REQUIRED FOR CYLINDERS USED WITH THE C-80L LOCK & PULL

COMPONENTS INCLUDED:



CAM REQUIRED:

- DIMENSIONS
- W = 1.000"
- X = .232"
- Y = .729"
- Z = .694"



NOT TO SCALE



K.N. CROWDER MFG. INC.
1220 BURLOAK DRIVE
BURLINGTON, ONTARIO
L7L 6B3 CANADA

K.N. CROWDER. INC.
210 EIGHTH STREET SOUTH
LEWISTON, NEW YORK
14092 U.S.A.

TOLL-FREE PHONE: 1-866-999-1KNC (1562)
WEBSITE: www.kncrowder.com
EMAIL: customerservice@kncrowder.com
© 2020 K.N. CROWDER MFG. INC. All Rights Reserved.